



VND670SP

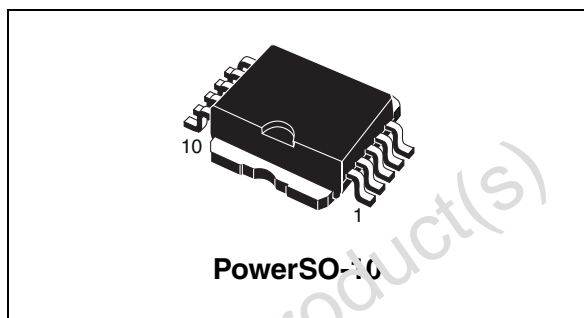
Dual high-side switch with dual Power MOSFET gate driver (bridge configuration)

Features

Type	R _{DS(on)}	I _{OUT}	V _{CC}
VND670SP	30mΩ ⁽¹⁾	15A ⁽¹⁾	40V

1. Per each channel.

- 5V logic level compatible inputs
- Gate drive for two external power MOSFET
- Undervoltage and overvoltage shutdown
- Overvoltage clamp
- Thermal shutdown
- Cross-conduction protection
- Current limitation
- Very low standby power consumption
- PWM operation up to 10 KHz
- Protection against loss of ground and loss of V_{CC}
- Reverse battery protection



Description

The VND670SP is a monolithic device made using STMicroelectronics VIPower technology M0-3, intended for driving motors in full bridge configuration. The device integrates two 30 mW Power MOSFET in high-side configuration, and provides gate drive for two external Power MOSFET used as low side switches. IN_A and IN_B allow to select clockwise or counter clockwise drive or brake; DIAG_A/EN_A, DIAG_B/EN_B allow to disable one half bridge and feedback diagnostic. Built-in thermal shutdown, combined with a current limiter, protects the chip in overtemperature and short circuit conditions. Short to battery protects the external connected low-side Power MOSFET.

Table 1. Device summary

Package	Order codes	
	Tube	Tape and reel
PowerSO-10	VND670SP	VND670SP13TR

Contents

- 1 Block diagram and pin description 5**
- 2 Electrical specifications 6**
 - 2.1 Absolute maximum ratings 6
 - 2.2 Thermal data 7
 - 2.3 Electrical characteristics 7
- 3 Application information 11**
 - 3.1 Normal operating conditions 12
 - 3.2 Fault conditions 13
 - 3.3 Test mode 13
- 4 Package and packing information 16**
 - 4.1 ECOPACK® packages 16
 - 4.2 PowerSO-10 mechanical data 16
 - 4.3 PowerSO-10 packing information 18
- 5 Revision history 19**

Obsolete Product(s)

List of tables

Table 1.	Device summary	1
Table 2.	Suggested connections for unused and not connected pins	5
Table 3.	Absolute maximum ratings	6
Table 4.	Thermal data (per island)	7
Table 5.	Power	7
Table 6.	Switching	7
Table 7.	Protection and diagnostic	8
Table 8.	PWM	8
Table 9.	Logic inputs.	8
Table 10.	Enable.	9
Table 11.	Truth table in normal operating conditions	12
Table 12.	Truth table in fault conditions (detected on OUT _A)	13
Table 13.	Electrical transient requirements	14
Table 14.	PowerSO-10 mechanical data	17
Table 15.	Document revision history	19

List of figures

Figure 1.	Block diagram	5
Figure 2.	Configuration diagram (top view)	5
Figure 3.	Current and voltage conventions	6
Figure 4.	Test conditions for high-side switching times measurement.	9
Figure 5.	Test conditions for external Power MOSFET switching times measurement	10
Figure 6.	Definition of the external Power MOSFET turn-on dead time t_{del}	10
Figure 7.	Typical application circuit for DC to 10 KHz PWM operation	11
Figure 8.	Typical application circuit for a 20 KHz PWM operation	12
Figure 9.	Waveforms (1)	14
Figure 10.	Waveforms (2)	15
Figure 11.	PowerSO-10 package dimensions	16
Figure 12.	PowerSO-10 suggested pad layout	18
Figure 13.	PowerSO-10 tube shipment (no suffix)	18
Figure 14.	SO-28 tape and reel shipment (suffix "TR")	18

Obsolete Product(s) - Obsolete Product(s)

1 Block diagram and pin description

Figure 1. Block diagram

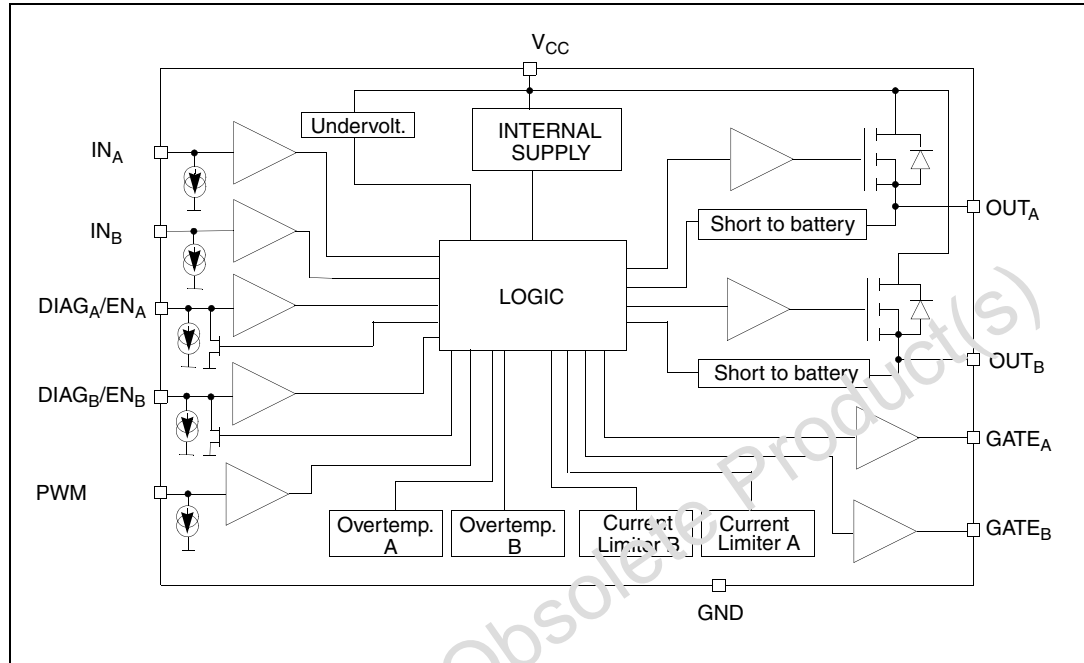


Figure 2. Configuration diagram (top view)

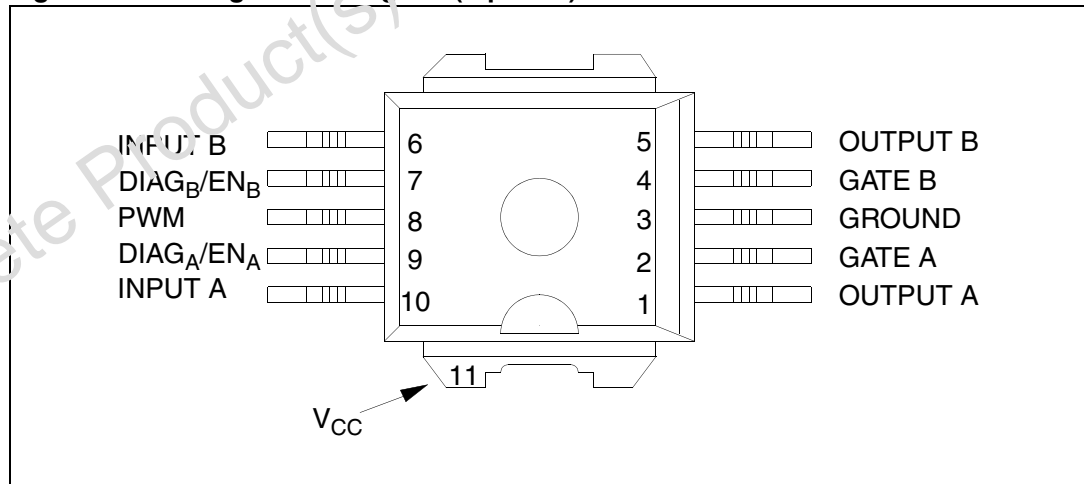
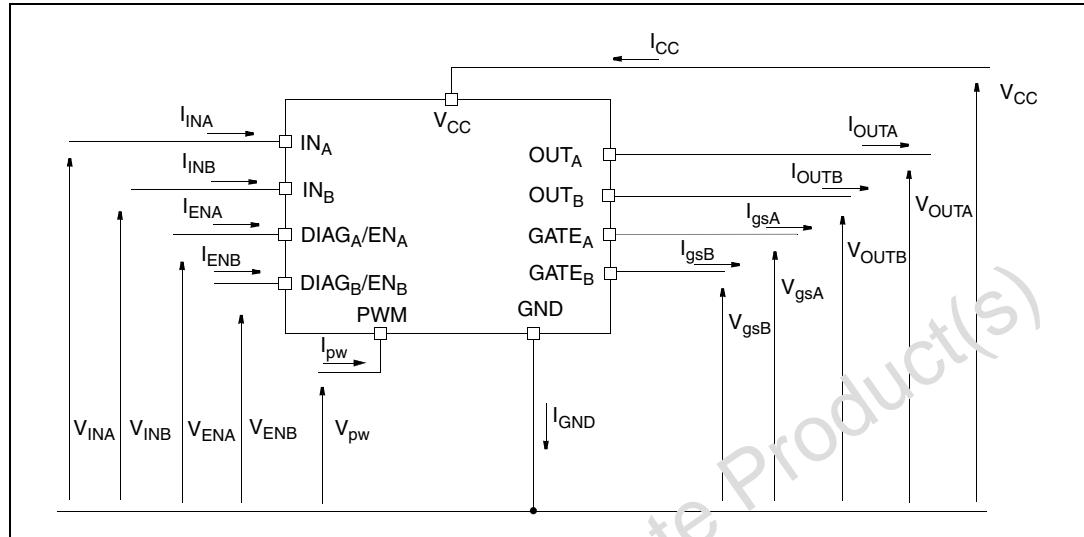


Table 2. Suggested connections for unused and not connected pins

Connection / pin	Status	N.C.	Output	Input
Floating	X	X	X	X
To ground		X		Through 10KΩ resistor

2 Electrical specifications

Figure 3. Current and voltage conventions



2.1 Absolute maximum ratings

Stressing the device above the rating listed in the “Absolute maximum ratings” table may cause permanent damage to the device. These are stress ratings only and operation of the device at these or any other conditions above those indicated in the Operating sections of this specification is not implied. Exposure to Absolute Maximum Rating conditions for extended periods may affect device reliability. Refer also to the STMicroelectronics SURE Program and other relevant quality document.

Table 2. Absolute maximum ratings

Symbol	Parameter	Value	Unit
V_{CC}	Supply voltage	-0.3..40	V
I_{max1}	Maximum output current (continuous)	15	A
I_{max2}	Maximum output current (250ms pulse duration)	20	A
I_R	Reverse DC output current	- 15	A
I_{IN}	Input current	+/- 10	mA
I_{EN}	Enable pin current	+/- 10	mA
I_{pw}	PWM pin current	+/- 10	mA
I_{gs}	Output gate current	+/- 20	mA
V_{ESD}	Electrostatic discharge (R = 1.5KΩ; C = 100pF)	2000	V
T_j	Junction operating temperature	- 40 to 150	°C
T_{stg}	Storage temperature	- 55 to 150	°C

2.2 Thermal data

Table 4. Thermal data (per island)

Symbol	Parameter	Max. value	Unit
$R_{thj-case}$	Thermal resistance junction-case	1.4	°C/W
$R_{thj-amb}$	Thermal resistance junction-ambient	50 ⁽¹⁾	°C/W

1. When mounted using the recommended pad size on FR-4 board (see AN515 Application Note).

2.3 Electrical characteristics

Values specified in this section are for $9V < V_{CC} < 18V$; $-40^{\circ}C < T_j < 150^{\circ}C$, unless otherwise stated.

Table 5. Power

Symbol	Parameter	Test conditions	Min.	Typ.	Max.	Unit
V_{CC}	Operating supply voltage		5.5		36	V
R_{ON}	On-state resistance	$I_{LOAD} = 1.2A$ $I_{LOAD} = 1.2A$ $T_i = 25^{\circ}C$		26	50 30	$m\Omega$ $m\Omega$
I_s	Supply current	On-state Off-state			15 40	mA μA
V_{gate}	Gate output voltage		5.0		8.5	V
$V_{gs,cl}$	Gate output clamp voltage	$I_{gs} = -1 mA$	6.0	6.8	8.0	V

Table 6. Switching ($V_{CC} = 13V$, $R_{LOAD} = 1.1\Omega$)

Symbol	Parameter	Test conditions	Min.	Typ.	Max.	Unit	
$t_{D(on)}$	Turn-on delay time	Input rise time $< 1\mu s$ (see Figure 4)		50	150	μs	
$t_{D(off)}$	Turn-off delay time			45	135	μs	
t_r	Output voltage rise time				50	150	μs
t_f	Output voltage fall time				40	120	μs
$(dV_{OUT}/dt)_{on}$	Turn-on voltage slope				160	500	V/ ms
$(dV_{OUT}/dt)_{off}$	Turn-off voltage slope				230	1200	V/ ms
t_{dong}	V_{gs} turn-on delay time	C1=4.7nF Break to ground configuration (see Figure 5)		0.5	2	μs	
t_{rg}	V_{gs} rise time			2.6	10	μs	
t_{doffg}	V_{gs} turn-off delay time			1.0	5.0	μs	
t_{fg}	V_{gs} fall time			2.2	10	μs	
t_{del}	External MOSFET turn-on dead time	(see Figure 6)		600	1800	μs	

Table 7. Protection and diagnostic

Symbol	Parameter	Test conditions	Min.	Typ.	Max.	Unit
V_{USD}	Undervoltage shutdown				5.5	V
V_{OV}	Overvoltage shutdown		36	43		V
I_{LIM}	Current limitation		30	45		A
T_{TSD}	Thermal shutdown temperature	$V_{IN} = 3.25\text{ V}$	150	170	200	°C
V_{oc1}	Output turn-off clamp voltage	$I_{LOAD} = 12\text{ A}, L = 6\text{ mH}$	$V_{CC} - 55$		$V_{CC} - 41$	V
V_{sat}	External MOSFET saturation voltage detection threshold		2.5	4.2	5.5	V

Table 8. PWM

Symbol	Parameter	Test conditions	Min.	Typ.	Max.	Unit
V_{pwl}	PWM low level voltage				1.5	V
I_{pwl}	PWM pin current	$V_{pw} = 1.5\text{ V}$	1			μA
V_{pwh}	PWM high level voltage		3.25			V
I_{pwh}	PWM pin current	$V_{pw} = 3.25\text{ V}$			10	μA
V_{pwhyst}	PWM hysteresis voltage		0.5			V
V_{pwcl}	PWM clamp voltage	$I_{pw} = 1\text{ mA}$ $I_{pw} = -1\text{ mA}$	$V_{CC} + 0.3$ -5.0	$V_{CC} + 0.7$ -3.5	$V_{CC} + 1.0$ -2.0	V V
V_{pwtest}	Test mode PWM pin voltage		-3.5	-2.0	-0.5	V
I_{pwtest}	Test mode PWM pin current	$V_{pwtest} = -2.0\text{ V}$	-2000	-500		μA

Table 9. Logic inputs

Symbol	Parameter	Test conditions	Min.	Typ.	Max.	Unit
V_{IL}	Input low level voltage				1.5	V
I_{INL}	Input current	$V_{IN} = 1.5\text{ V}$	1			μA
V_{IH}	Input high level voltage		3.25			V
I_{INH}	Input current	$V_{IN} = 3.25\text{ V}$			10	μA
V_{IHYST}	Input hysteresis voltage		0.5			V
V_{ICL}	Input clamp voltage	$I_{IN} = 1\text{ mA}$ $I_{IN} = -1\text{ mA}$	6.0 -1.0	6.8 -0.7	8.0 -0.3	V V

Table 10. Enable

Symbol	Parameter	Test conditions	Min.	Typ.	Max.	Unit
V_{ENL}	Enable low level voltage	Normal operation (DIAG _X /EN _X pin acts as an input pin)			1.5	V
I_{ENL}	Enable pin current	$V_{EN} = 1.5\text{ V}$	1			μA
V_{ENH}	Enable high level voltage	Normal operation (DIAG _X /EN _X pin acts as an input pin)	3.25			V
I_{ENH}	Enable pin current	$V_{EN} = 3.25\text{ V}$			10	μA
V_{EHYST}	Enable hysteresis voltage	Normal operation (DIAG _X /EN _X pin acts as an input pin)	0.5			V
V_{ENCL}	Enable clamp voltage	$I_{EN} = 1\text{ mA}$ $I_{EN} = -1\text{ mA}$	6.0 -1.0	3.3 -0.7	8.0 -0.3	V V
V_{DIAG}	Enable output low level voltage	Fault operation (DIAG _X /EN _X pin acts as an input pin) $I_{EN} = 1.6\text{ mA}$			0.4	V

Figure 4. Test conditions for high side switching times measurement

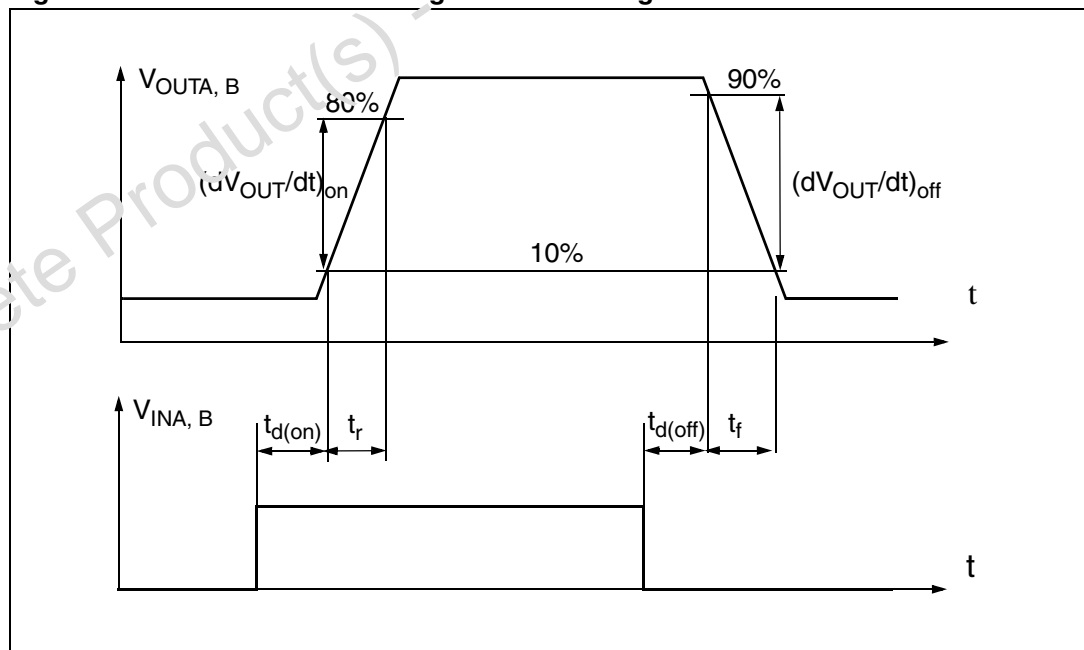


Figure 5. Test conditions for external Power MOSFET switching times measurement

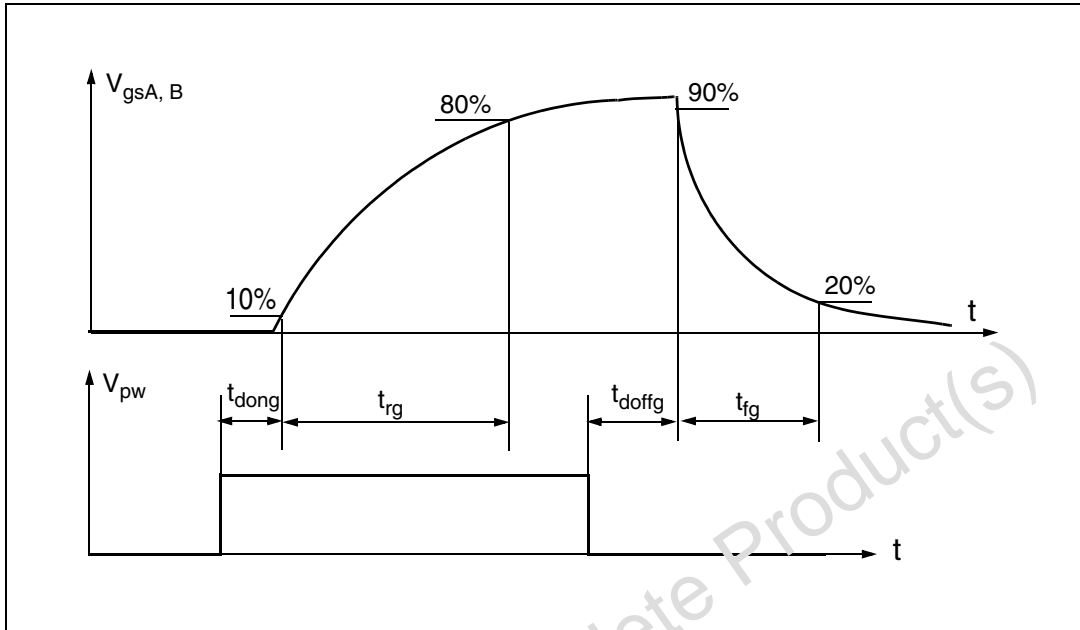
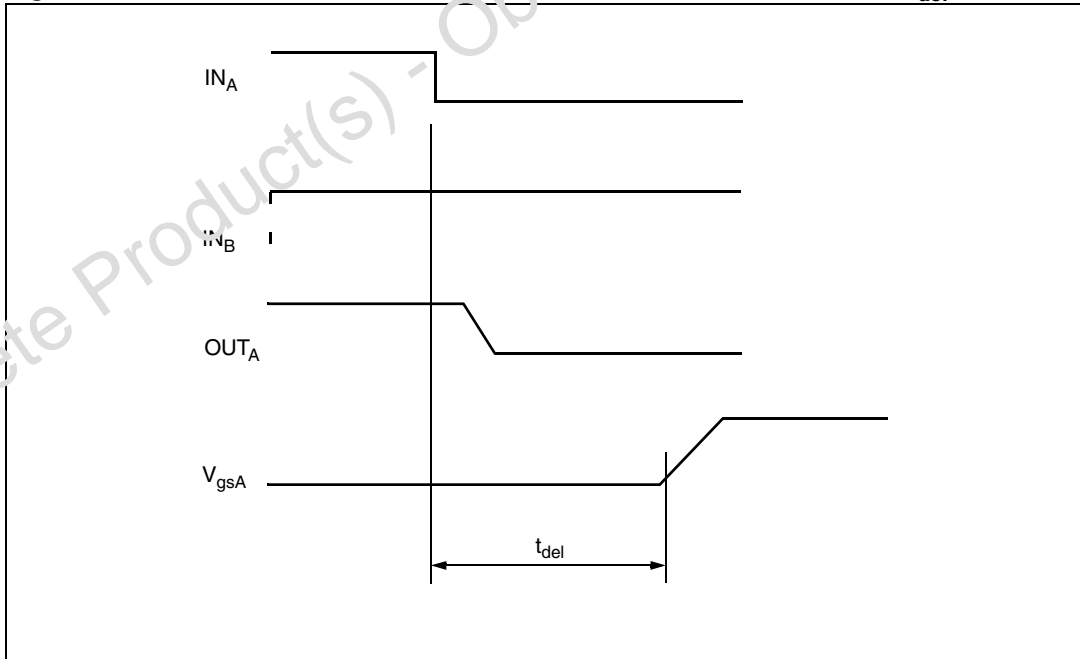
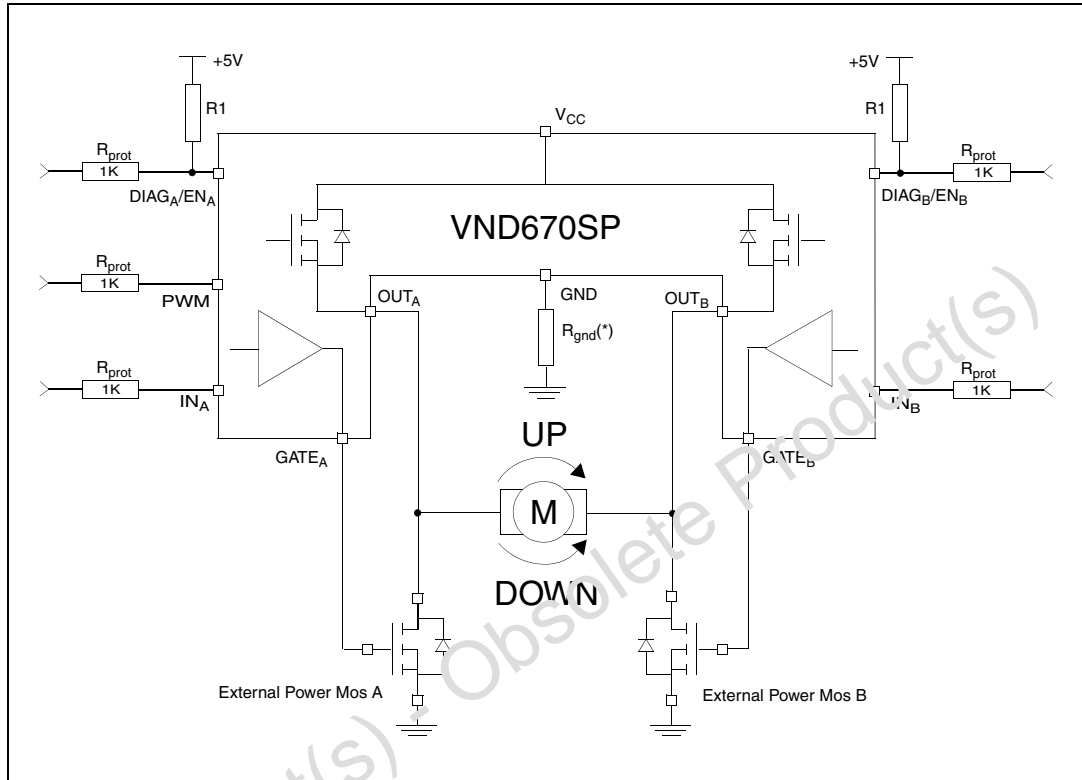


Figure 6. Definition of the external Power MOSFET turn-on dead time t_{del}



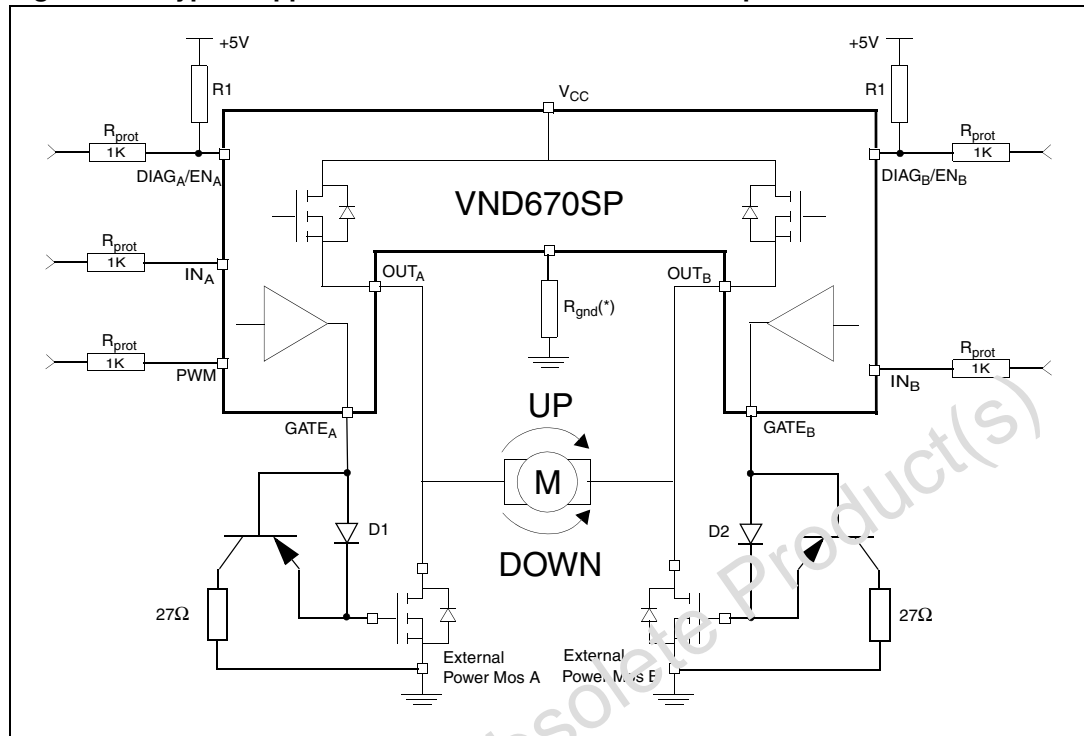
3 Application information

Figure 7. Typical application circuit for DC to 10 KHz PWM operation



- Note:
- 1 Reverse battery protection: series relay in V_{CC} line: $R_{gnd}=0$ Ohms; series fuse in V_{CC} line with antiparallel diode between ground and V_{CC} : $R_{gnd}=10$ Ohms.
 - 2 Layout hints: the connection between GND pin of the VND670SP and the Power MOSFET SOURCE connections should be kept short enough to ensure that the dynamic difference between these two points never exceed 1V for the bridge to operate properly.

Figure 8. Typical application circuit for a 20 KHz PWM operation



Note: 1 Reverse battery protection: series relay in V_{CC} line: $R_{gnd} = 0$ Ohms; series fuse in V_{CC} line with antiparallel diode between ground and V_{CC} : $R_{gnd} = 10$ Ohms.

3.1 Normal operating conditions

Table 11. Truth table in normal operating conditions

IN _A	IN _B	DIAG _A /EN _A	DIAG _B /EN _B	OUT _A	OUT _B	GATE _A	GATE _B	Comment
1	1	1	1	H	H	L	L	Brake to V_{CC}
1	0	1	1	H	L	L	H	Clockwise
0	1	1	1	L	H	H	L	Counter cw
0	0	1	1	L	L	H	H	Brake to GND
X	X	0	0	L	L	L	L	Stand by
1	X	1	0	H	L	L	L	HS _A only
0	X	1	0	L	L	H	L	MOS _A only
X	1	0	1	L	H	L	L	HS _B only
X	0	0	1	L	L	L	H	MOS _B only

Note: 1 In normal operating conditions the DIAG_X/EN_X pin is considered as an input pin by the device. This pin must be externally pulled high.

2 PWM pin usage:

In all cases, a "0" on the PWM pin will turn-off both GATE_A and GATE_B outputs. When PWM rises back to "1", GATE_A or GATE_B turn on again depending on the input pin state.

3.2 Fault conditions

In case of a fault conditions the $DIAG_X/EN_X$ pin is considered as an output pin by the device. The fault conditions are:

- overtemperature on one or both high-sides;
- short to battery condition on the output (saturation detection on the external connected Power MOSFET).

Possible origins of fault conditions may be:

- OUT_A is shorted to ground ---> overtemperature detection on high-side A.
- OUT_A is shorted to V_{CC} ---> external Power MOSFET saturation detection (driven by $GATE_A$).

When a fault condition is detected, the user can know which power element is in fault by monitoring the IN_A , IN_B , $DIAG_A/EN_A$ and $DIAG_B/EN_B$ pins.

In any case, when a fault is detected, the faulty half bridge is latched off. To turn-on the respective output ($GATE_X$ or OUT_X) again, the input signal must rise from low to high level.

Table 12. Truth table in fault conditions (detected on CUT_A)

IN_A	IN_B	$DIAG_A/EN_A$	$DIAG_B/EN_B$	OUT_A	OUT_B	$GATE_A$	$GATE_B$
1	1	0	1	Open	H	L	L
1	0	0	1	Open	Open	L	L
0	1	0	1	Open	H	L	L
0	0	0	1	Open	Open	L	L
X	X	0	0	Open	Open	L	L
1	X	0	0	Open	Open	L	L
0	X	0	0	Open	Open	L	L
X	1	0	1	Open	H	L	L
X	0	0	1	Open	Open	L	L

3.3 Test mode

The PWM pin allows to test the load connection between two half-bridges. In the test mode ($V_{pwm}=-2V$) the external Power Mos gate drivers are disabled. The IN_A or IN_B inputs allow to turn-on the high-side A or B, respectively, in order to connect one side of the load at V_{CC} voltage. The check of the voltage on the other side of the load allow to verify the continuity of the load connection. In case of load disconnection the $DIAD_X/EN_X$ pin corresponding to the faulty output is pulled down.

Table 13. Electrical transient requirements

ISO T/R 7637/1 Test pulse	Test level				Delays and impedance
	I	II	III	IV	
1	- 25V ⁽¹⁾	- 50V ⁽¹⁾	- 75V ⁽¹⁾	- 100V ⁽¹⁾	2ms, 10Ω
2	+ 25V ⁽¹⁾	+ 50V ⁽¹⁾	+ 75V ⁽¹⁾	+ 100V ⁽¹⁾	0.2ms, 10Ω
3a	- 25V ⁽¹⁾	- 50V ⁽¹⁾	- 100V ⁽¹⁾	- 150V ⁽¹⁾	0.1μs, 50Ω
3b	+ 25V ⁽¹⁾	+ 50V ⁽¹⁾	+ 75V ⁽¹⁾	+ 100V ⁽¹⁾	0.1μs, 50Ω
4	- 4V ⁽¹⁾	- 5V ⁽¹⁾	- 6V ⁽¹⁾	- 7V ⁽¹⁾	100ms, 0.01Ω
5	+ 26.5V ⁽¹⁾	+ 46.5V ⁽²⁾	+ 66.5V ⁽²⁾	+ 86.5V ⁽²⁾	400ms, 2Ω

1. All functions of the device are performed as designed after exposure to disturbance.
2. One or more functions of the device is not performed as designed after exposure and cannot be returned to proper operation without replacing the device.

Figure 9. Waveforms (1)

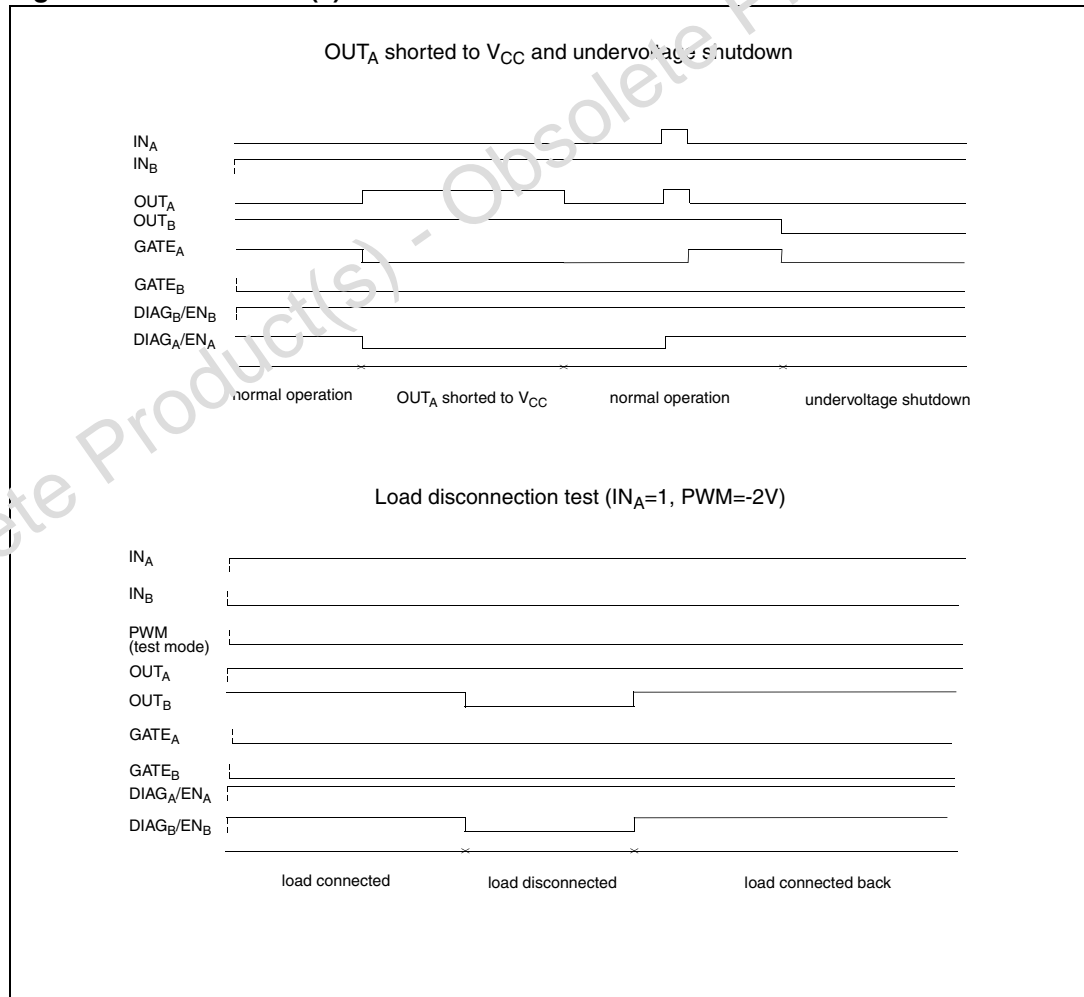
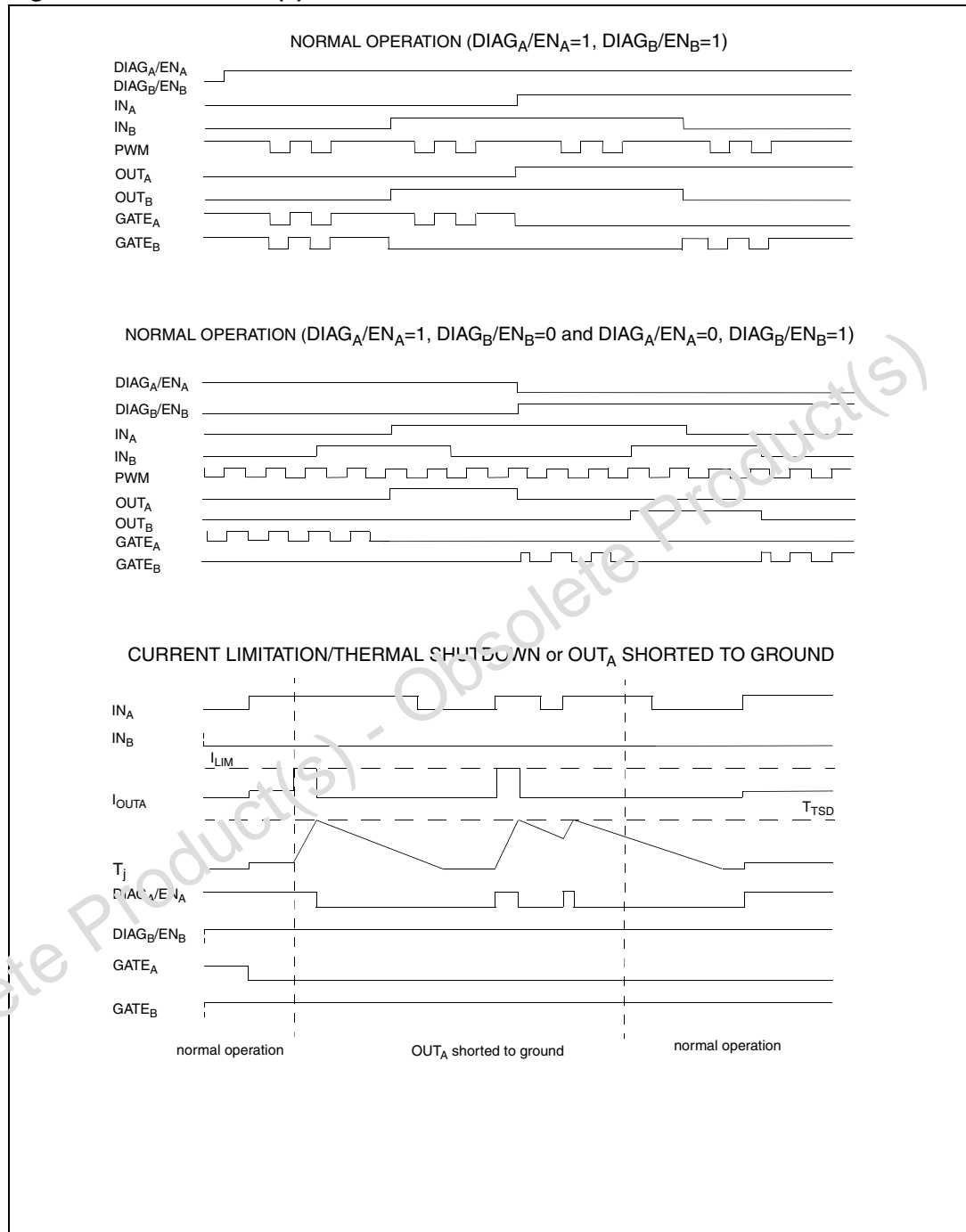


Figure 10. Waveforms (2)



Obsolete Product(s) - Obsolete Product(s)

4 Package and packing information

4.1 ECOPACK® packages

In order to meet environmental requirements, ST offers these devices in different grades of ECOPACK® packages, depending on their level of environmental compliance. ECOPACK® specifications, grade definitions and product status are available at: www.st.com. ECOPACK® is an ST trademark.

4.2 PowerSO-10 mechanical data

Figure 11. PowerSO-10 package dimensions

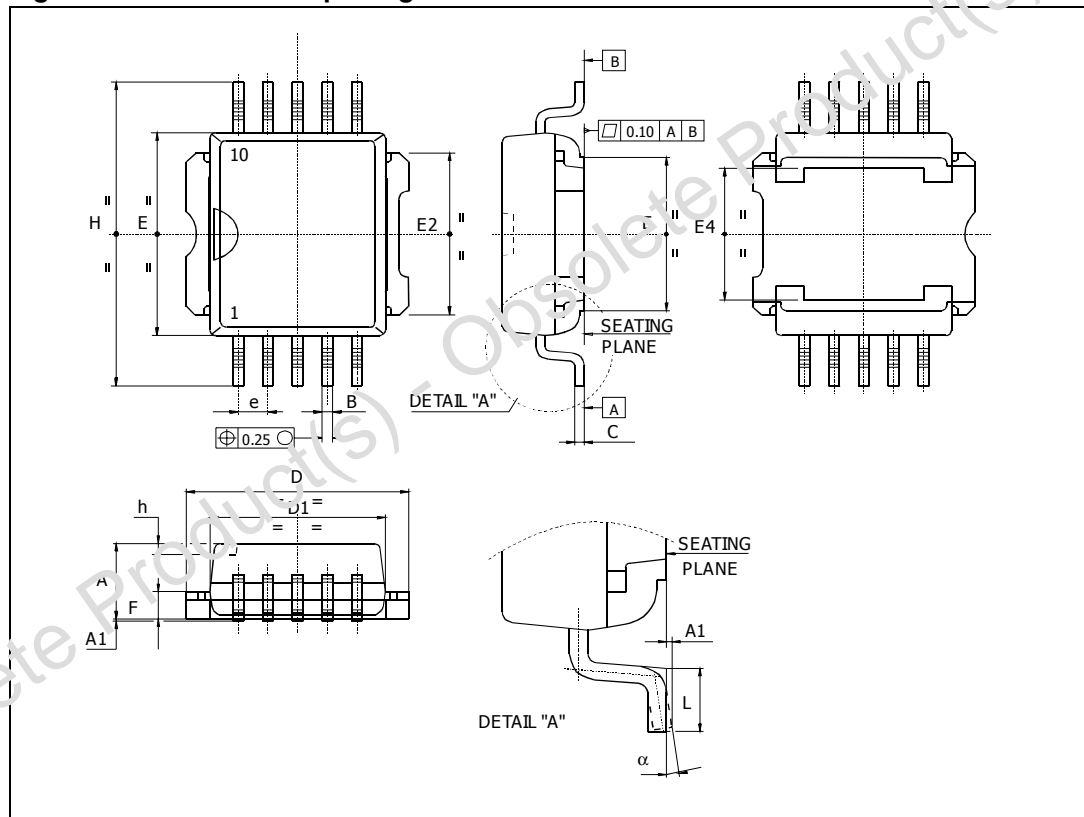


Table 14. PowerSO-10 mechanical data

Dim.	mm		
	Min.	Typ.	Max.
A	3.35		3.65
A ⁽¹⁾	3.4		3.6
A1	0		0.10
B	0.40		0.60
B ⁽¹⁾	0.37		0.53
C	0.35		0.55
C ⁽¹⁾	0.23		0.32
D	9.40		9.60
D1	7.40		7.60
E	9.30		9.50
E2	7.20		7.60
E2 ⁽¹⁾	7.30		7.50
E4	5.90		6.10
E4 ⁽¹⁾	5.90		6.30
e		1.27	
F	1.25		1.35
F ⁽¹⁾	1.20		1.40
H	13.80		14.40
H ⁽¹⁾	13.85		14.35
h		0.50	
L	1.20		1.80
L ⁽¹⁾	0.80		1.10
α	0°		8°
α ⁽¹⁾	2°		8°

1. Muar only POA P013P.

4.3 PowerSO-10 packing information

Figure 12. PowerSO-10 suggested pad layout Figure 13. PowerSO-10 tube shipment (no suffix)

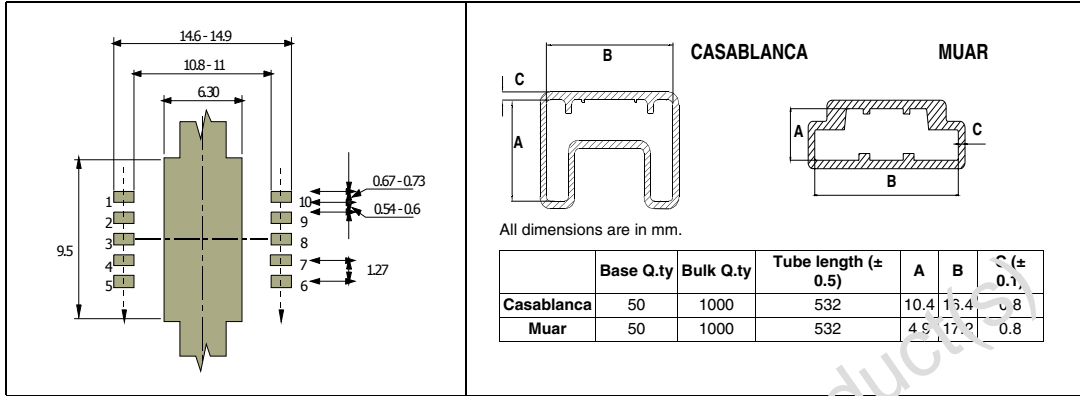
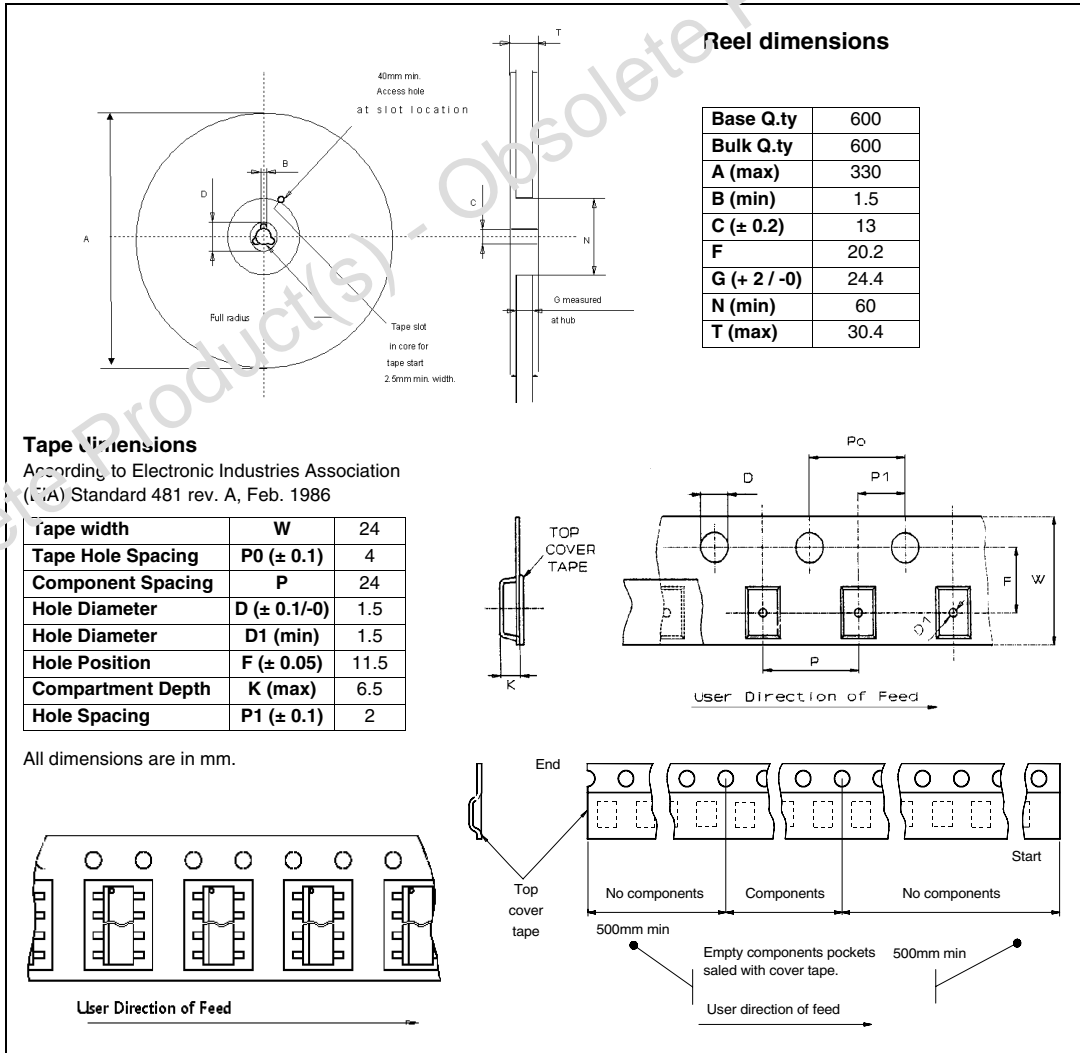


Figure 14. PowerSO-10 tape and reel shipment (suffix “R”)



5 Revision history

Table 15. Document revision history

Date	Revision	Changes
03-May-2006	1	Initial release.
11-Dec-2008	2	Document reformatted and restructured. Added contents, list of tables and figures. Added <i>ECOPACK[®] packages</i> information.

Obsolete Product(s) - Obsolete Product(s)

Please Read Carefully:

Information in this document is provided solely in connection with ST products. STMicroelectronics NV and its subsidiaries ("ST") reserve the right to make changes, corrections, modifications or improvements, to this document, and the products and services described herein at any time, without notice.

All ST products are sold pursuant to ST's terms and conditions of sale.

Purchasers are solely responsible for the choice, selection and use of the ST products and services described herein, and ST assumes no liability whatsoever relating to the choice, selection or use of the ST products and services described herein.

No license, express or implied, by estoppel or otherwise, to any intellectual property rights is granted under this document. If any part of this document refers to any third party products or services it shall not be deemed a license grant by ST for the use of such third party products or services, or any intellectual property contained therein or considered as a warranty covering the use in any manner whatsoever of such third party products or services or any intellectual property contained therein.

UNLESS OTHERWISE SET FORTH IN ST'S TERMS AND CONDITIONS OF SALE ST DISCLAIMS ANY EXPRESS OR IMPLIED WARRANTY WITH RESPECT TO THE USE AND/OR SALE OF ST PRODUCTS INCLUDING WITHOUT LIMITATION IMPLIED WARRANTIES OF MERCHANTABILITY, FITNESS FOR A PARTICULAR PURPOSE (AND THEIR EQUIVALENTS UNDER THE LAWS OF ANY JURISDICTION), OR INFRINGEMENT OF ANY PATENT, COPYRIGHT OR OTHER INTELLECTUAL PROPERTY RIGHT.

UNLESS EXPRESSLY APPROVED IN WRITING BY AN AUTHORIZED ST REPRESENTATIVE, ST PRODUCTS ARE NOT RECOMMENDED, AUTHORIZED OR WARRANTED FOR USE IN MILITARY, AIR CRAFT, SPACE, LIFE SAVING, OR LIFE SUSTAINING APPLICATIONS, NOR IN PRODUCTS OR SYSTEMS WHERE FAILURE OR MALFUNCTION MAY RESULT IN PERSONAL INJURY, DEATH, OR SEVERE PROPERTY OR ENVIRONMENTAL DAMAGE. ST PRODUCTS WHICH ARE NOT SPECIFIED AS "AUTOMOTIVE GRADE" MAY ONLY BE USED IN AUTOMOTIVE APPLICATIONS AT USER'S OWN RISK.

Resale of ST products with provisions different from the statements and/or technical features set forth in this document shall immediately void any warranty granted by ST for the ST product or service described herein and shall not create or extend in any manner whatsoever, any liability of ST.

ST and the ST logo are trademarks or registered trademarks of ST in various countries.

Information in this document supersedes and replaces all information previously supplied.

The ST logo is a registered trademark of STMicroelectronics. All other names are the property of their respective owners.

© 2008 STMicroelectronics - All rights reserved

STMicroelectronics group of companies

Australia - Belgium - Brazil - Canada - China - Czech Republic - Finland - France - Germany - Hong Kong - India - Israel - Italy - Japan - Malaysia - Malta - Morocco - Singapore - Spain - Sweden - Switzerland - United Kingdom - United States of America

www.st.com