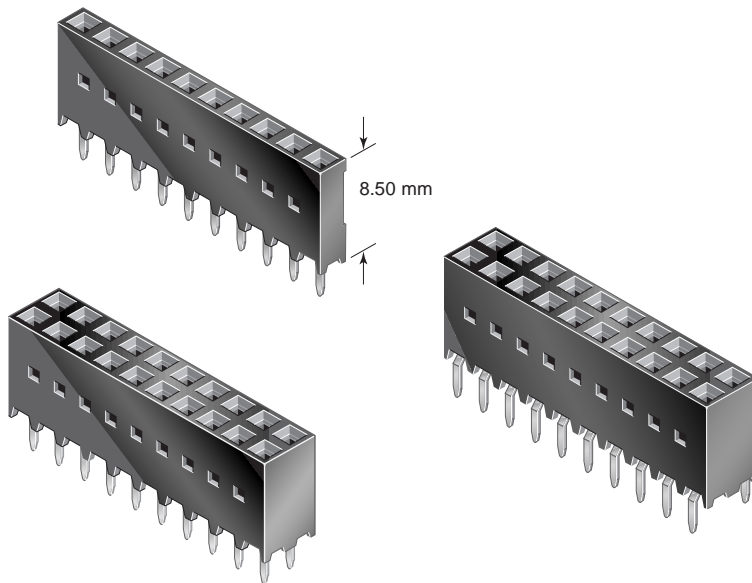


Dubox™ Vertical Receptacles

2.54 mm



- The Dubox™ contact has a pre-stressed, dual beam design to enable low insertion force
- Selective plating

24 HOUR SAMPLES

Technical Data

Physical

Housing: Glass filled thermoplastic polyester, blue
 Flammability rating: UL 94 V-0
 Contact: Phosphor-bronze
 Plating: Gold or tin-lead in accordance with IEC 603-8

Electrical Performance

Current rating:
 3 A dc max. per individual contact
 2 A dc max. per contact for fully energized connector
 Insulation resistance: 1×10^5 M Ω min.
 Contact resistance: 15 m Ω max. initial, 20 m Ω max. after environmental tests
 Dielectric withstanding voltage: 1000 V rms

Mechanical Performance

Mating cycles (durability): 200
 Insertion force per gold contact: 1.50 N (150 gf) max.
 Withdrawal force per gold contact: 0.30 N (30 gf) min.

Operating Temperature Range

-65°C to +125°C

Packaging

Plastic boxes or tubes

Reference Information

File no. E66906
 File no. LR46923
 Product drawing: By 5-digit base part number
 Product specification: HE 13/14 and IEC 603-8
Specifications subject to change without notice.

Mating Data

	Page
■ BergStik® Unshrouded straight headers	8
■ BergStik® Unshrouded right angle headers	10
■ BergStik® Unshrouded stacking headers	12

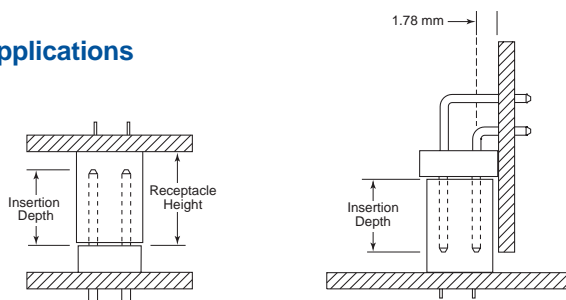
Insertion Depth

- Top Entry: 5.03 mm min. to 6.81 mm max. [provides .381 mm wipe]
- Bottom Entry: 6.25 mm min. [provides .381 mm wipe] plus board thickness

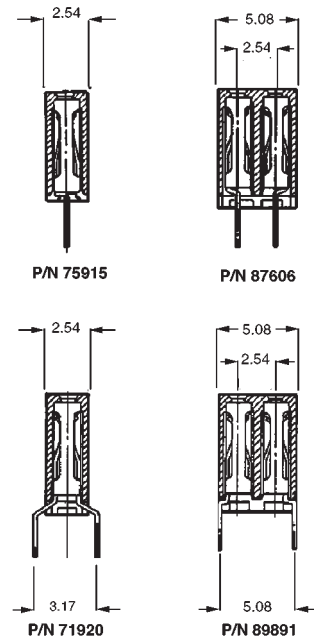
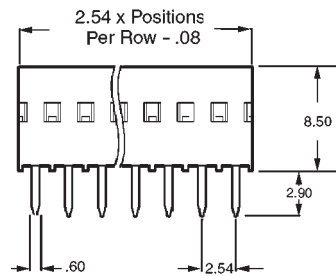
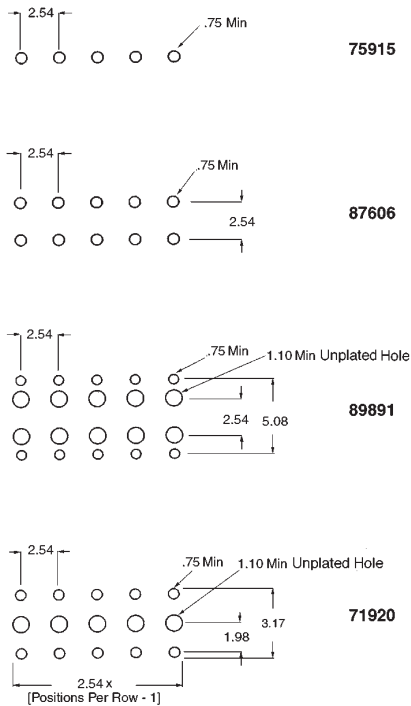
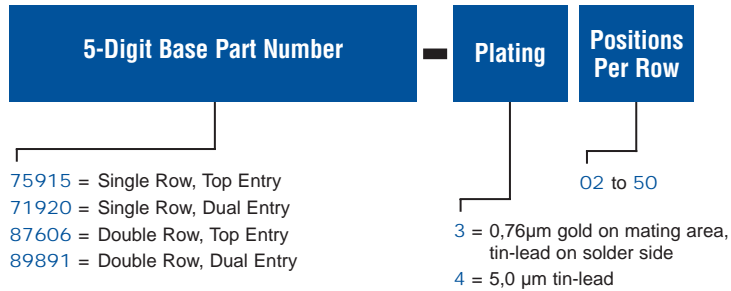
Processing Information

Compatible with wave soldering processes

Typical Applications



Part Number



Recommended PCB Layout

Dimensions in mm