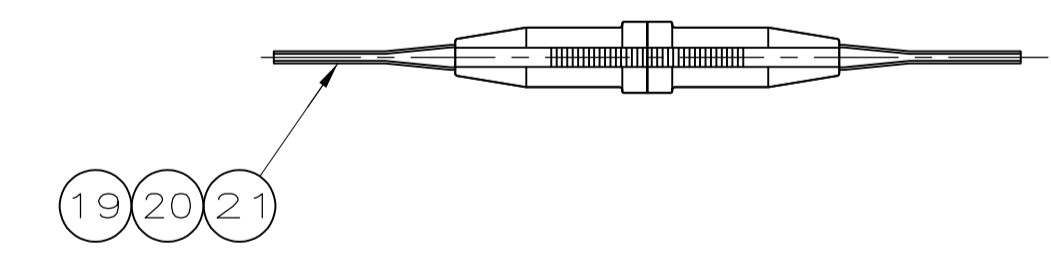
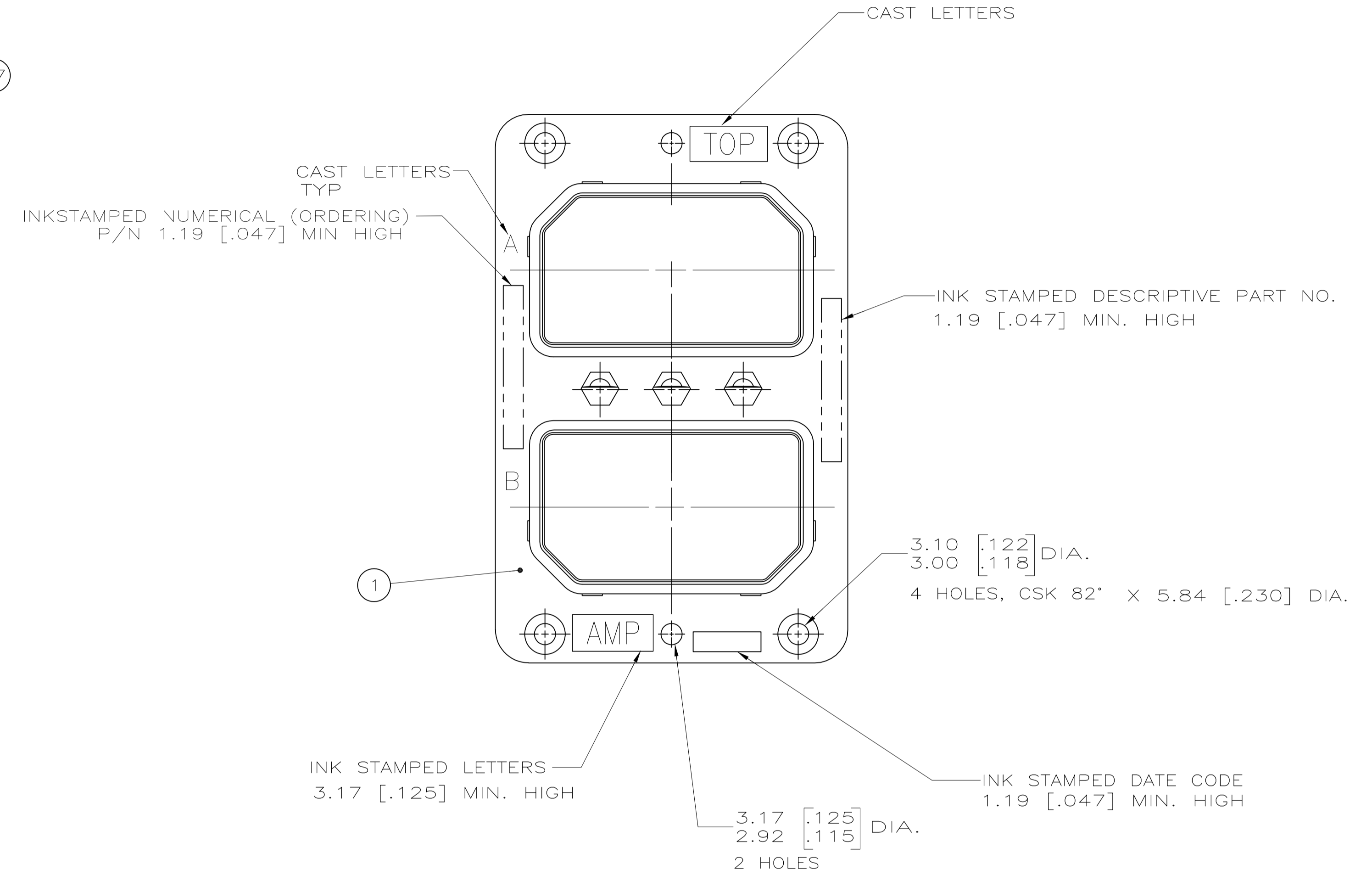
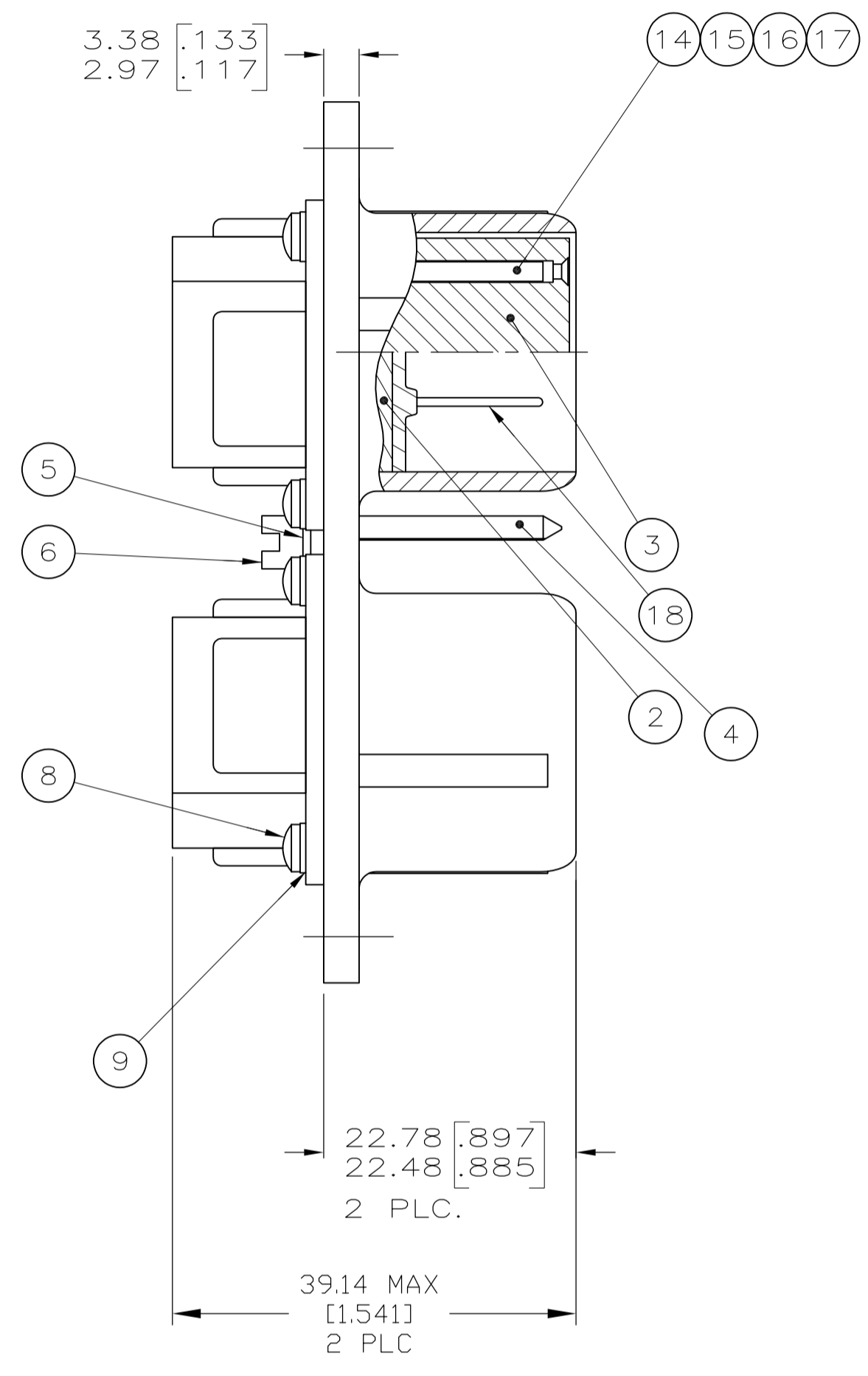
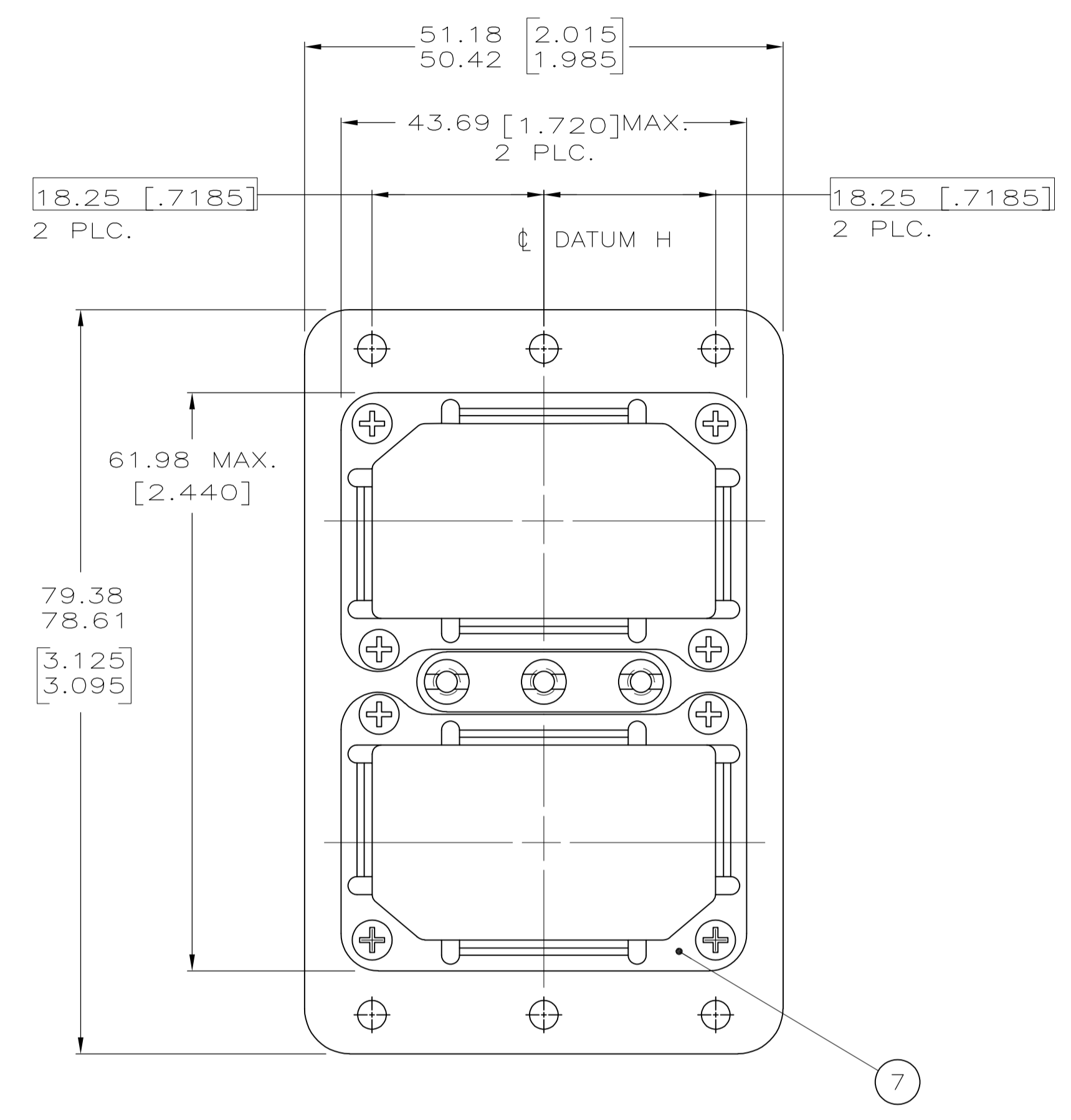


LOC		DIST		REVISIONS			
P	LTR	DESCRIPTION	DATE	DN	APVD		
D		REVISED PER ECO-15-011840	17NOV15	RS	CT		



- CONTACTS SHOWN LOADED FOR ILLUSTRATION ONLY; ARE INCLUDED IN A CONTAINER WITHIN CONNECTOR PACKAGE FOR SHIPMENT.
- FOR INSERT ARRANGEMENTS AND DIMENSIONS, SEE TABLES ON SHEET 2 OF 2.
- DIMENSIONS IN BRACKETS ARE IN INCHES.

METRIC

THIS DRAWING IS A CONTROLLED DOCUMENT.		DIN 3-11-87 MARK HOFFECKER		STE TE Connectivity	
DIMENSIONS: mm [INCHES]		TOLERANCES UNLESS OTHERWISE SPECIFIED:		NAME: LARRY LAWNER	
0 PLC ± -		1 PLC ± -		PRODUCT SPEC	
2 PLC ± -		3 PLC ± -		APPLICATION SPEC	
4 PLC ± -		ANGLES ± 0°30'		SIZE: A1	
MATERIAL: SEE TABLE		FINISH: SEE TABLE		WEIGHT: --	
				CAGE CODE: 00779	
				DRAWING NO: 213441	
				RESTRICTED TO: --	
				CUSTOMER DRAWING	
				SCALE: 2:1	
				SHEET: 1 OF 2	
				REV: D	

