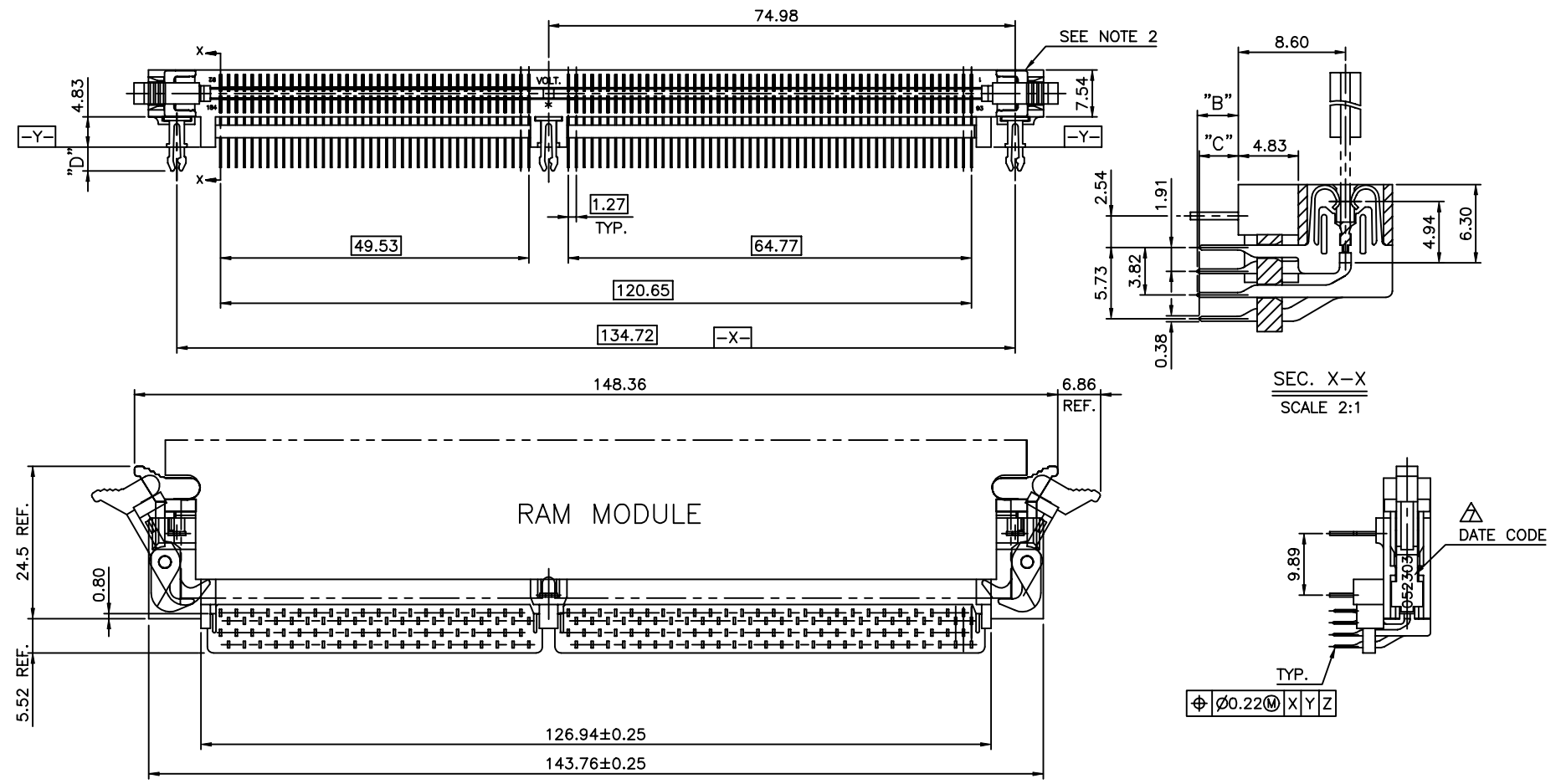


**FCI**

All rights strictly reserved. Reproduction or issue to third parties in any form whatever is not permitted without written authority from the proprietor. Property of FCI. Copyright FCI.

Tous droits strictement réservés. Reproduction ou communication à des tiers interdite sous quelque forme que ce soit sans autorisation écrite du propriétaire. Propriété de c FCI. Droits de reproduction FCI.

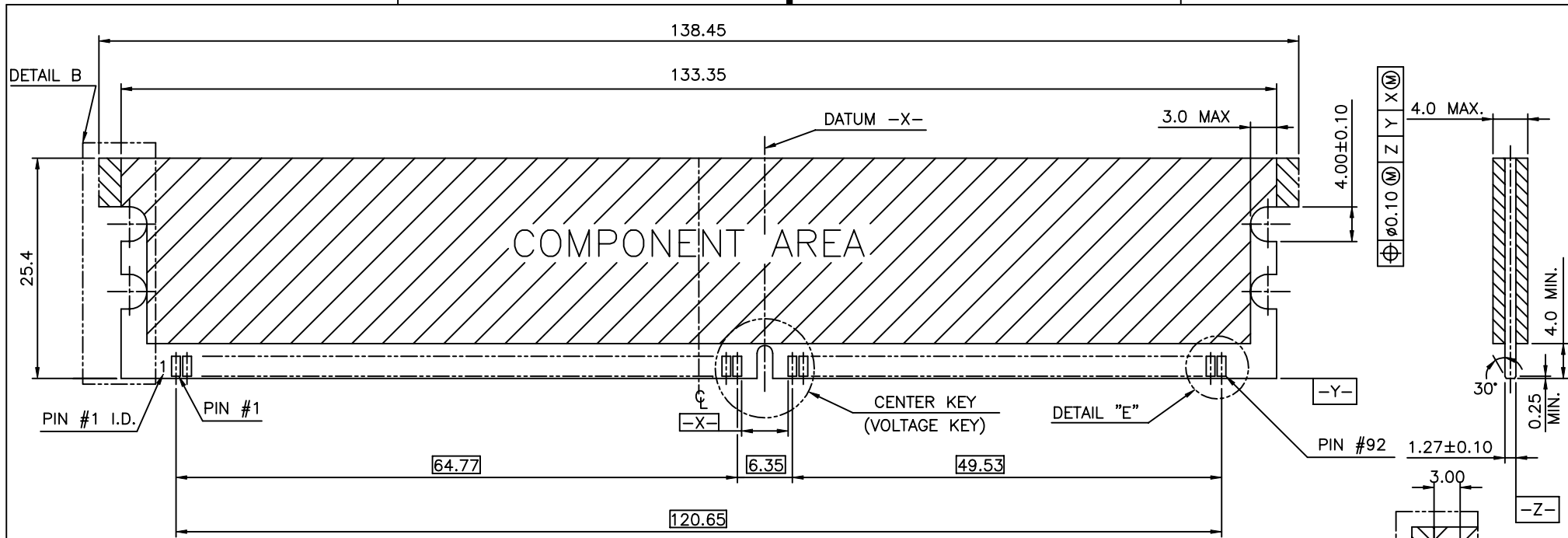


- NOTES:
- MATERIAL:
    - HOUSING: HIGH PERFORMANCE RESINS, GLASS FILLED UL94V-0 RATED, COLOR BLACK.
    - EJECTOR: HIGH PERFORMANCE RESINS, GLASS FILLED UL94V-0 RATED, COLOR NATURAL.
    - TAIL GUIDE: HIGH PERFORMANCE RESINS, GLASS FILLED UL94V-0 RATED, COLOR BLACK.
    - TERMINAL: PHOSPHOR BRONZE.
    - METAL CLIP: PHOSPHOR BRONZE.
  - FCI LOGO TO BE APPROXIMATELY LOCATED AS SHOWN ON PRINT.
  - PERFORMANCE TO BE TESTED PER GS-12-066.
  - PACKAGING PER GS-14-376.
  - HAIR CRACK IS ACCEPTED, BUT NG FOR THAT WITH APPARENT GAP.
  - THE TERMINAL ROW 4 TAIL LENGTH (DIM."C") IS ALLOWED AT 3.15±0.23 AT OUTSIDE POSITION.
  - THE DATE CODE IS SHOWN "MM-DD-YY".

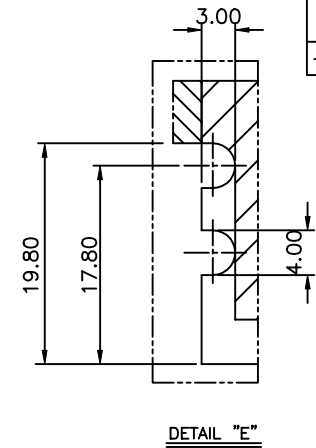
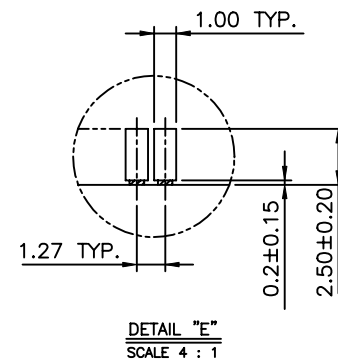
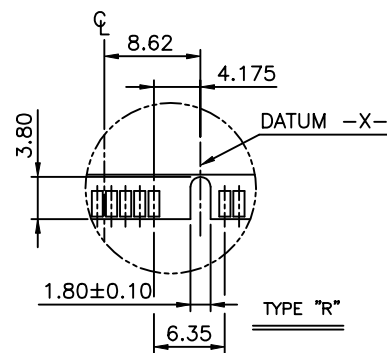
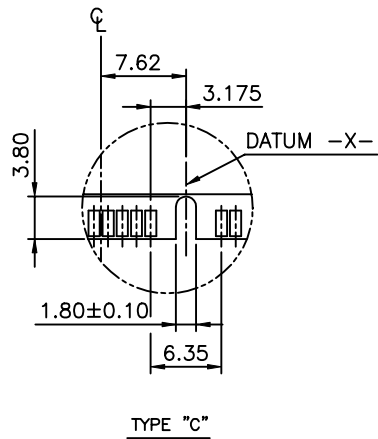
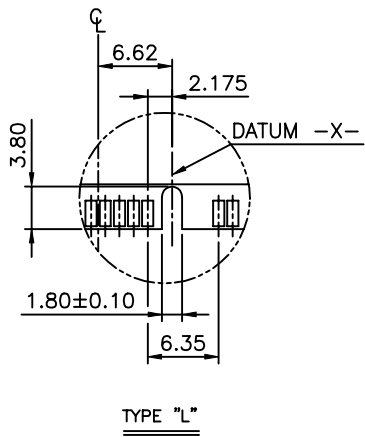
mat'l. code				tolerances unless otherwise specified		CUSTOMER COPY		FCI	
ltr	ecn no	dr	date	linear	.X ± 0.38	projection	title		
A	T03-0020	M W	01/17/03		.XX ± 0.25		DDR 184P		
B	T03-0194	M W	05/23/03		.XXX ± 0.13		R/A ASS'Y METAL CLIP		
C	T04-0145	M W	04/08/04	angles	0° ± 2°		product family	DDR	code
D	T05-0070	M W	04/01/05	dr	MAGGIE WU 01/16/02		size	dwg no	TWN
				enr	R Y LIU 01/16/02	scale	A4		sheet
				chr	YUWEN CHU 01/16/02	1:1	57997		1 of 4
				appd	JENN TSAO 01/16/02				
sheet index	revision sheet	D 1	A 2	A 3	D 4				

Tous droits strictement réservés. Reproduction ou communication a des tiers interdite sous quelque forme que ce soit sans autorisation écrite du propriétaire. Propriété de c FCI. Droits de reproduction FCI.

All rights strictly reserved. Reproduction or issue to third parties in any form whatever is not permitted without written authority from the proprietor. Property of FCI. Copyright FCI.



RECOMMENDED MODULE LAYOUT



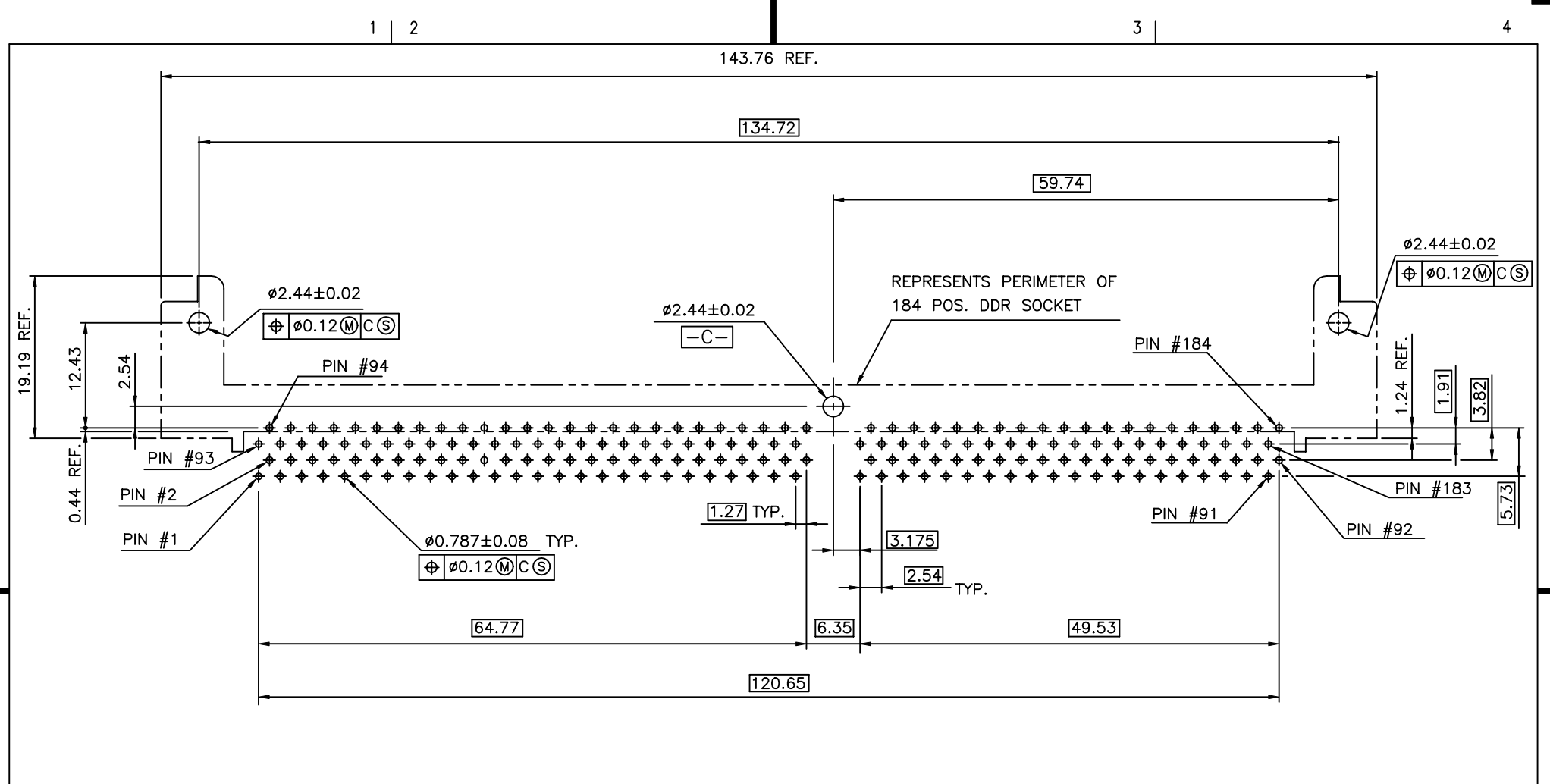
CONFIDENTIAL

TYPE "R"	3.3 VOLT.
TYPE "L"	2.5 VOLT.
TYPE "C"	1.8 VOLT.
CENTER KEY	DESCRIPTION

mat'l. code				tolerances unless otherwise specified			CUSTOMER COPY		 www.fciconnect.com	
ltr	ecn no	dr	date	linear	.X ± 0.38		projection	title		
A					.XX ± 0.25			DDR 184P		
				angles	.XXX ± 0.13		 MM	R/A ASS'Y METAL CLIP		
					0° ±2°			product family		code
				dr	MAGGIE WU	01/16/02	scale	DDR		TWN
				enr	R Y LIU	01/16/02		size		sheet
				chr	YUWEN CHU	01/16/02		dwg no		2 of
				appd	JENN TSAO	01/16/02		57997		
sheet index	revision sheet						1.5:1	A4		

Tous droits strictement reserves. Reproduction ou communication a des tiers interdite sous quelque forme que ce soit sans autorisation ecrite du proprietaire. Propriete de c FCI. Droits de reproduction FCI.

All rights strictly reserved. Reproduction or issue to third parties in any form whatever is not permitted without written authority from the proprietor. Property of FCI. Copyright FCI.



RECOMMENDED CIRCUIT BOARD HOLE LAYOUT

CONFIDENTIAL

mat'l. code				tolerances unless otherwise specified			CUSTOMER COPY		 www.fciconnect.com		
ltr	ecn no	dr	date	linear	.X ± 0.38		projection	title			
A					angles	.XX ± 0.25		 MM	DDR 184P		
				dr	.XXX ± 0.13		scale		R/A ASS'Y METAL CLIP		
				enr	0° ± 2°			1.5:1	product family DDR		
				chr	MAGGIE WU	01/16/02			A4	code TWN	
				appd	R Y LIU	01/16/02				size dwg no	
					YUWEN CHU	01/16/02	57997		sheet 3 of		
					JENN TSAO	01/16/02					
sheet index	revision sheet										

Tous droits strictement reserves. Reproduction ou communication a des tiers interdite sous quelque forme que ce soit sans autorisation ecrite du proprietaire. Propriete de c FCI. Droits de reproduction FCI.

5 7 9 9 7 - □ □ □ □ □

STYLE

- 1 : FOR 3.3 VOLT.
- 2 : FOR 2.5 VOLT.
- 3 : FOR 1.8 VOLT.

PEG TYPE

- 0 : WITH METAL CLIP + DIM."D"=3.45.
- 1 : WITH METAL CLIP + DIM."D"=3.85.

TAIL LENGTH

CODE	DIM. "B"	DIM. "C"
0	2.54	2.39
1	3.30	3.15

PLATING

CODE	CONTACT	SOLDERTAIL	UNDERPLATE
2	15μ"(0.38μm) MIN. GOLD	100μ"(2.54μm) MIN. TIN/LEAD	50μ" (1.27μm) MIN. NICKEL OVERALL
3	30μ"(0.76μm) MIN. GOLD		
4	3μ" (0.076μm) MIN. GOLD		
2LF	15μ"(0.38μm) MIN. GOLD		
3LF	30μ"(0.76μm) MIN. GOLD	100μ"(2.54μm) MIN. 100% TIN	
4LF	3μ" (0.076μm) MIN. GOLD		

COLOR OF HOUSING AND EJECTOR

0 : BLACK HOUSING + IVORY EJECTOR + BLACK TAIL GUIDE

CONFIDENTIAL

mat'l. code				tolerances unless otherwise specified			CUSTOMER COPY		FCI www.fciconnect.com	
ltr	ecn no	dr	date	linear	.X ± 0.38		projection	title		
D					.XX ± 0.25			DDR 184P		
				angles	.XXX ± 0.13			R/A ASS'Y METAL CLIP		
					0° ± 2°					
				dr	MAGGIE WU	01/16/02	← MM →	product family		code
				enr	R Y LIU	01/16/02		DDR		TWN
				chr	YUWEN CHU	01/16/02		size		sheet
				appd	JENN TSAO	01/16/02		dwg no		4 of
sheet index		revision sheet		scale			A4		57997	
						1:1				

All rights strictly reserved. Reproduction or issue to third parties in any form whatever is not permitted without written authority from the proprietor. Property of FCI. Copyright FCI.