

L handle-latch
stainless steel
non-lockable
Thread M 22 x 1,5 mm
 Rotation: 90°
 Fully assembled ready for installation

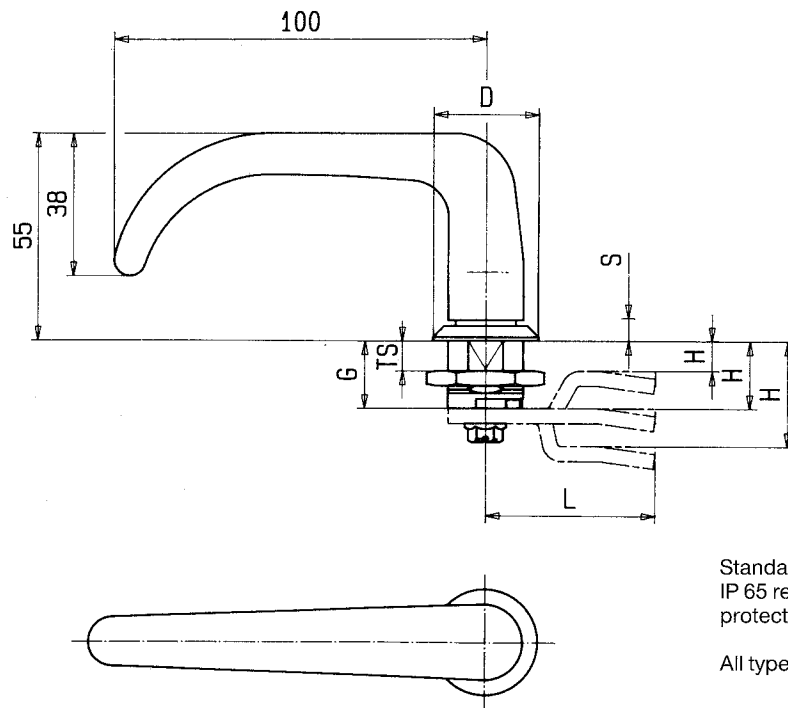
Housing standard G 18 mm

(order information see page 8)

Example for order:

Housing: 0.29.6003.0 (Housing 18 mm/top 28 mm/ stainless steel)
 L handle: 0.24.1109.0 (Stainless steel)
 Tongue (see page 35): 0.24.0560.0 (Tongue straight 45 mm/ stainless steel)

The parts are supplied fully assembled ready for installation.
 The following constructions are assembled only with insert
 or operation devices:
 with tongues with grip lengths less than 12 mm
 with three point locking system with stepped discs



Panel preparation: hole size

Standard is with spring washer.
 IP 65 respectively NEMA 4 is supplied as environmental
 protection against the ingress of dust, water and air.

All types also available with nut for grounding.

Housing

G mm	D mm	S mm	Material/ Surface/ Colour	Part-No.	TS max. mm
18	28	4	Stainless steel	0.29.6003.0	8

L handle

Material/ Surface/ Colour	Part-No.
Stainless steel	with spring washer IP 65 / NEWMA 4
	0.24.1109.0 0.24.1119.0