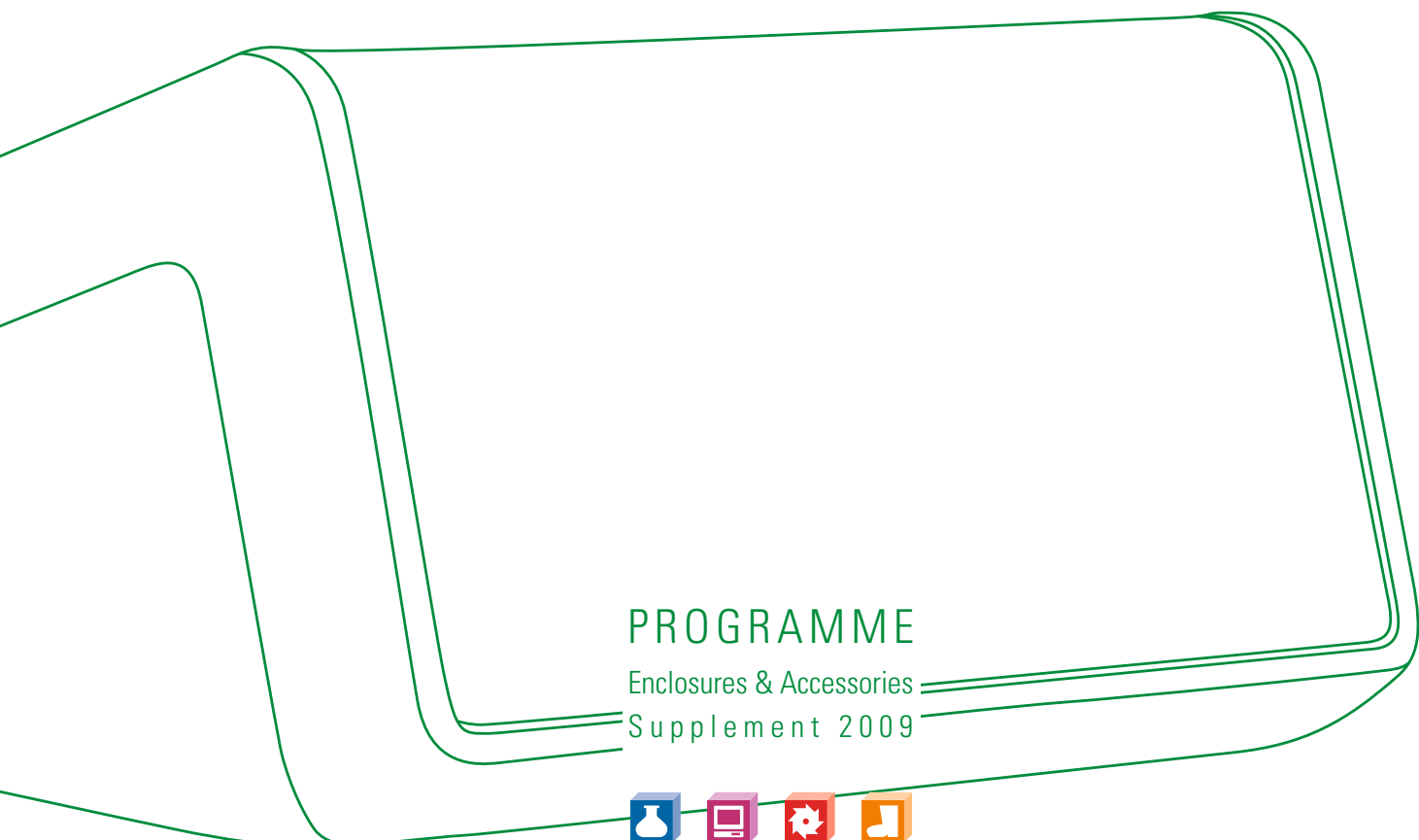




NEW PRODUCTS



PROGRAMME

Enclosures & Accessories
Supplement 2009





**OUR SUCCESS COMES FROM RECOGNISING
THE NEEDS OF OUR CUSTOMERS
AND DEVELOPING THE RIGHT SOLUTIONS.**

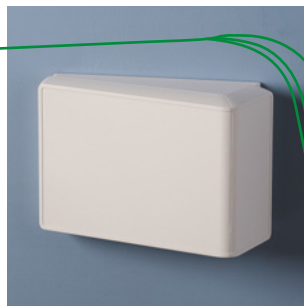
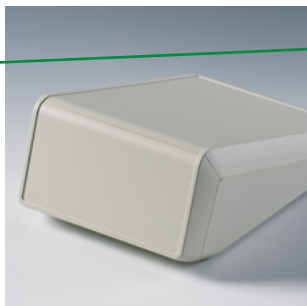
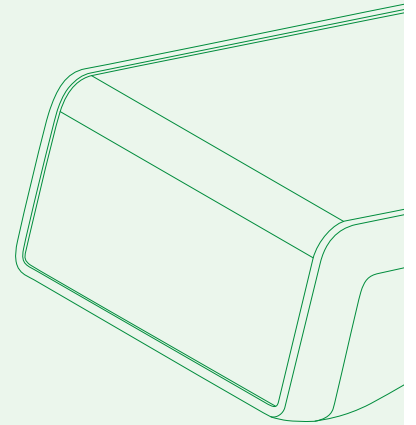




We are always on the lookout for new ideas, innovative developments and technical progress.

We ensure the intelligent implementation of our ideas and turn them into successful products and important performers.

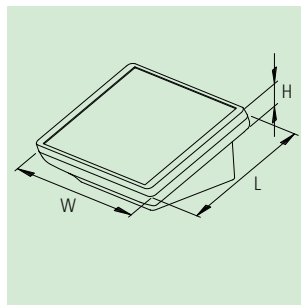
OKW Gehäusesysteme regards itself as a system partner. We can therefore offer you our entire know-how in enclosures and tuning knob technology from a single source. For more about our comprehensive range of services please turn to Page 15.



*On the following pages
we present
our latest developments.*



Off-white, RAL 9002



THE PRODUCT

The growing demand in the field of data visualization calls for innovative products tailor-made to meet the requirements of today's users. For example, more and more touch screens are arriving on the scene, and the desire for greater mobility and independence must also be taken into consideration.

The new INTERFACE-TERMINAL meets all of the requirements of a modern man-machine interface. Here the user himself decides whether he would like to use the device as a mobile or as a stationary unit. The dimensions also guarantee maximum clarity and ease of operation.

YOUR ADVANTAGE

Unique variety of applications:
Mobile – desk-top – wall mounted.

Operating panel in "vertical" or "horizontal" orientation.

Installation of standardised touch screens possible (contact addresses www.okw.com).

Ideal for the use of snap-in interfaces, e.g. plug-in connectors.

Ergonomically designed for operating and reading off.

Battery compartment provides protection against incorrect polarity and also includes an anti-rotation device.

APPLICATIONS

Peripheral and interface equipment. Office applications. Communications technology. Safety engineering. Biometrics. Medical and laboratory technology. Health sector. Automation. Measuring/regulating/controlling.

PROTECTION CLASS UP TO IP 54

Enclosure bottom and top part with/without battery compartment. Sealing supplied with the enclosure.

MAX. SIZE OF PCB

Size	L x W in mm		
	bottom part	top part	station
S	162 x 124	176 x 120	95 x 84
M	196 x 154	210 x 150	126 x 112

(cutouts of pillars not taken into consideration)

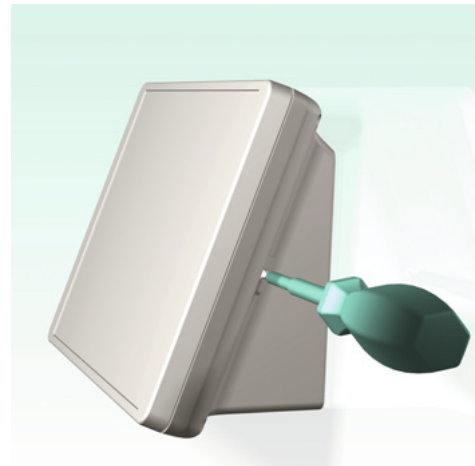


EFFICIENT INTERFACE FOR YOUR INDIVIDUAL REQUIREMENTS

With the INTERFACE-TERMINAL you are once again putting your trust in pioneering OKW case technology. What is new here is the “interface” between a stationary and a mobile component.

Assembly can be significantly simplified by predefined, snap-in interfaces, which also allow mobile use and which in turn enlarge the field of application of the terminal units.

You can also benefit from the ease of assembly when equipping and connecting up the interfaces; plug-in connectors also prevent wiring errors whenever servicing is required.



INTERFACE-TERMINAL

INTERFACE-TERMINAL

INTERFACE-TERMINAL

TOUCH SCREEN-COMPATIBLE

The INTERFACE TERMINAL offers sufficient space for large-area touch screen displays. It is thus ideal for making operation as pleasant as possible for the user, for the processes can be displayed interactively on a touch screen display. The great advantage is its simple intuitive operation and a perfect navigation experience.

Max. display sizes:	
INTERFACE-TERMINAL S	6.4"
INTERFACE-TERMINAL M	8.4"
INTERFACE-TERMINAL L	10.4"



INTERFACE-TERMINAL

INTERFACE-TERMINAL

INTERFACE-TERMINAL



DESK-TOP

Operating panel inclined by 20°. Ergonomically favourable for operating and reading off.

Individual assembly of the operating panel. Vertical or horizontal orientation, depending on requirements, see photos.

Case screwed to base. Screwed connection outside the field of vision.

Self-adhesive case feet ensure reliable desk-top positioning.



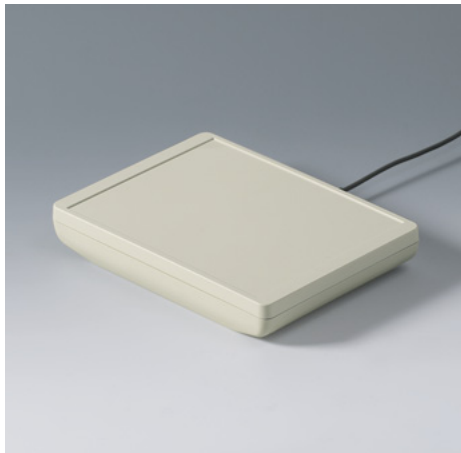
DESK-TOP / WALL

The same applications are possible in a desk-top and in a wall mounting version.

Individual assembly of the operating panel. Vertical or horizontal orientation, depending on requirements, see photos.

Direct wall mounting. Good grip. Screens/displays easy to read.

Case snaps into base. If required, unit can be secured by latch lock.



MOBILE

With/without battery compartment (5 x AA), accessible from the outside, incl. protection against incorrect polarity as well as anti-rotation device. Battery clips, tin-plated, already supplied with the relevant case version.

Flat areas for interfaces and applications with cables.

User-friendly design with attractive flat styling in the handle area.



MOBILE WITH STATION

Case with battery comp. (5 x AA), accessible from the outside, incl. protection against incorrect polarity as well as anti-rotation device. Battery clips, tin-plated, already supplied with the relevant case version. User-friendly design with attractive flat styling in the handle area.

Ergonomically attractive design of base is practical as desk-top and wall mounting base. Case snaps securely into base cover.

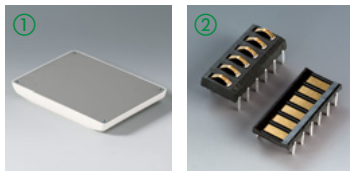
Easy transmission of data and charging current. Contacts as accessories.

ENCLOSURES

INTERFACE-TERMINAL application	size	Outside dim. in mm			max. dim. keypad top part	Equipment (dim. in mm) supply	Material	Part-No.	
		L	W	H				with top part	without top part*1
Desk-top	S	135	190	95 (85)	123 x 162	Bottom part of case, base, covers, sealings, assembly kit. Top part of case only in the relevant version.	ABS (UL 94 HB)	B 40 42 147	B 40 42 247
	M	165	225	104 (94)	153 x 197		ABS (UL 94 HB)	B 40 44 147	B 40 44 247
Desk-top/Wall	S	135	190	95 (85)	123 x 162	Bottom part of case, bottom panel, base, snap-in strips, clips, sealings, assembly kit. Top part of case only in the relevant version.	ABS (UL 94 HB)	B 40 42 157	B 40 42 257
	M	165	225	104 (94)	153 x 197		ABS (UL 94 HB)	B 40 44 157	B 40 44 257
Mobile without battery compartment	S	135	190	37 (27)	123 x 162	Bottom part of case, bottom panel, snap-in strips, sealings, assembly kit. Top part of case only in the relevant version.	ABS (UL 94 HB)	B 40 42 127	B 40 42 227
	M	165	225	38 (28)	153 x 197		ABS (UL 94 HB)	B 40 44 127	B 40 44 227
Mobile with battery compartment	S	135	190	37 (27)	123 x 162	Bottom part of case, battery compartment and lid, set of battery clips tin-plated for 5 x AA, snap-in strips, sealings, assembly kit. Top part of case only in the relevant version.	ABS (UL 94 HB)	B 40 42 137	B 40 42 237
	M	165	225	38 (28)	153 x 197		ABS (UL 94 HB)	B 40 44 137	B 40 44 237
Mobile with station	S	135	190	100 (90)	123 x 162	Bottom part of case, battery compartment and lid, set of battery clips tin-plated for 5 x AA, covers, base and base cover, sealings, assembly kit. Top part of case only in the relevant version.	ABS (UL 94 HB)	B 40 42 167	B 40 42 267
	M	165	225	114 (104)	153 x 197		ABS (UL 94 HB)	B 40 44 167	B 40 44 267

ACCESSORIES

Article	For enclosure INTERFACE-TERMINAL	Version / Application	Part-No.
① Front panel	S	matt anodised Al, 191.7 x 126.7 x 2 mm, for case version without top part	B 41 42 106
	M	matt anodised Al, 221.7 x 161.7 x 2 mm, for case version without top part	B 41 44 106
② Contacts	Mobile with station (all sizes)	contacts male for the base, 6-pole (holes necessary)	A 91 78 007
		contacts female for the case, 6-pole (holes necessary)	A 91 78 008



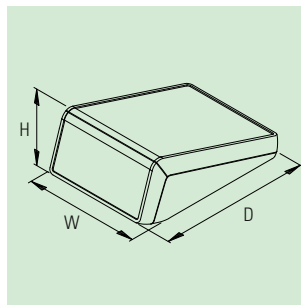
INTERFACE-TERMINAL S
available from February 2009

INTERFACE-TERMINAL L
available from July 2009, see our website

*1 for inserting an aluminium front panel (see accessory)



Off-white, RAL 9002



THE PRODUCT

The new UNITEC range of cases is characterised by two operating panels with different inclinations at right angles to each other.

Depending on the application, these can be used for operating and/or reading-off purposes, thus allowing simultaneous applications, for example a doctor face to face with a patient.

YOUR ADVANTAGE

Modern appearance, ideally suited for desk-top or wall mounting.

Generously dimensioned dialog fields (72°/18° inclination). Ideal for large displays, touch screen surfaces, membrane keyboards (1.4 mm depth), graphic overlays (0.6 mm depth), interfaces etc.

Pushbuttons, switches and display elements can be ergonomically operated and read off.

High degree of individualisation possible.

Individual electronics cases can be created through the use of an all-round digital graphic overlay specially tailored to illustrate your corporate identity (top and front parts recessed by 0.6 mm). *1

Flexible component mounting. Printed circuit boards can be positioned in the bottom, top and front parts. Since the operating panels are positioned at right angles to each other, it is also possible to install electronics and interfaces as complete ready-made packages.

With/without battery operation 3 x AA / 5 x AA. Battery comp. lid snap-in and/or screw-on.

APPLICATIONS

Data acquisition systems. Access and information terminals. Building installations. Data systems engineering. Communication. Analysis, diagnostics and therapy applications. Measuring and control technology. Industrial regulation.

PROTECTION CLASS IP 40

MAX. SIZE OF PCB

UNITEC	W x D (mm) bottom part	W x D (mm) top part	W x H (mm) front part
M	132 x 166/62	132 x 180	132 x 60

(cutouts for pillars not taken into consideration, bottom part without/with battery compartment)

SINGLE OR DUAL OPERATING AREAS



Front part recessed 0.6 mm.
Top part recessed 0.6 mm.
All-round graphic overlays may also be used!



Front part recessed 1.4 mm.
Top part recessed 1.4 mm.
Two membrane keyboards may be used.



Front part recessed 1.4 mm.
Top part recessed 0.6 mm.



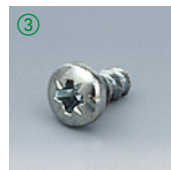
Front part recessed 0.6 mm.
Top part recessed 1.4 mm.

ENCLOSURES

UNITEC	Outside dim. in mm			recess		Equipment (dim. in mm)		battery compartment	Material	Part-No.
	W	D	H	front/	top part	max. dim. keypad front part	top part			
M	148	210	80/25	0.6	0.6	—	—	—	ABS (UL 94 HB)	B 40 56 107
	148	210	80/25	0.6	0.6	—	—	3 x AA*2	ABS (UL 94 HB)	B 40 56 207
	148	210	80/25	0.6	0.6	—	—	5 x AA*2	ABS (UL 94 HB)	B 40 56 307
	148	210	80/25	1.4	1.4	127.6 x 58.6	127.6 x 178.6	—	ABS (UL 94 HB)	B 40 56 117
	148	210	80/25	1.4	1.4	127.6 x 58.6	127.6 x 178.6	3 x AA*2	ABS (UL 94 HB)	B 40 56 217
	148	210	80/25	1.4	1.4	127.6 x 58.6	127.6 x 178.6	5 x AA*2	ABS (UL 94 HB)	B 40 56 317
	148	210	80/25	1.4	0.6	127.6 x 58.6	—	—	ABS (UL 94 HB)	B 40 56 127
	148	210	80/25	1.4	0.6	127.6 x 58.6	—	3 x AA*2	ABS (UL 94 HB)	B 40 56 227
	148	210	80/25	1.4	0.6	127.6 x 58.6	—	5 x AA*2	ABS (UL 94 HB)	B 40 56 327
	148	210	80/25	0.6	1.4	—	127.6 x 178.6	—	ABS (UL 94 HB)	B 40 56 137
	148	210	80/25	0.6	1.4	—	127.6 x 178.6	3 x AA*2	ABS (UL 94 HB)	B 40 56 237
	148	210	80/25	0.6	1.4	—	127.6 x 178.6	5 x AA*2	ABS (UL 94 HB)	B 40 56 337

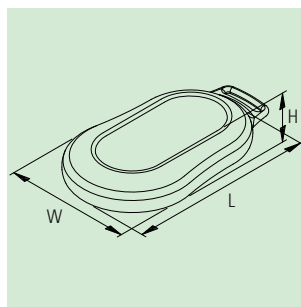
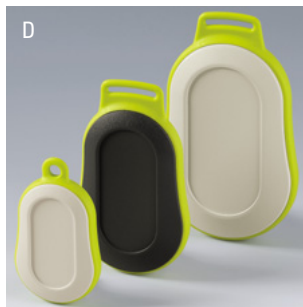
ACCESSORIES

Article	For enclosure UNITEC	Version / Application	Part-No.
① Wall suspension element	M	ABS, off-white, 1 set	B 41 56 307
② Non-slip pads	M	ø 12 mm, transparent, self-adhesive, for desk-top applications, 1 pair	A 92 12 330
③ Self-tapping screw	M	ø 3 x 6 mm (PZ1), for mounting PCBs, 1 pc	A 03 06 031



*1 on request we can print and mount digital graphic overlays for you in our own Service Centre

*2 battery compartment and lid made of ABS, off-white; battery clips nickel-plated



One coloured

- Off-white, RAL 9002
- Lava, NCS S 7502-B
- Black, RAL 9005

Two coloured

Enclosures

- Off-white, RAL 9002
- Lava, NCS S 7502-B

Intermediate rings

- Volcano, NCS 5502-G
- Orange, NCS S 1070-Y40R
- Green, NCS S 1070-G60Y
- Blue, NCS S 1060-B

THE PRODUCT

The new L size of the MINITEC case range also presents itself as an elegant and compact unit. It offers the right prerequisites for everyone that needs more installation volume but does not want to dispense with the exquisite design.

Sizes S and M are now available in PMMA IR versions with the intermediate ring in ABS (UL 94 HB).

YOUR ADVANTAGE

Modern, flat styling.

Easy to wear, e.g. round your neck, or as a bracelet with wrist strap or hand strap. Strap loops and eyelets are already integrated.

TPE ring for a pleasant touch sensation and as impact protection.

Variety of colours.

Also available in infra-red light-permeable material (top/bottom part).

Recessed operating area for the protection of the membrane keyboard.

Fixing supports for PCBs and integrated parts in the bottom part of the case.

APPLICATIONS

Many different types of remote control systems.

Specially made for clinic and social fields as well as in the household and in industry, e.g. emergency systems, monitoring and alarm equipment, radio remote control etc.

PROTECTION CLASS IP 40

MAX. SIZE OF PCB

MINITEC	L x W in mm bottom part
ES	36 x 24
EM	51 x 34
EL	54 x 40
DS	35 x 27
DM	51 x 38
DL	58 x 45

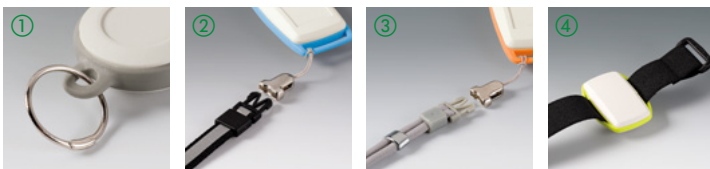
(cutouts of pillars not taken into consideration)

MINITEC – ADDITIONS TO THE RANGE –

TYPE / SIZE	Outside dim. in mm			Equipment (dim. in mm)		Part-No.			Part-No.			
	L	W	H	max. dim. keypad	intermediate ring	ABS (UL 94 HB) off-white	PMMA*1 lava	PMMA*1 black	ABS (UL 94 HB) off-white	PMMA*1 lava	PMMA*1 black	
MINITEC E												
S	52	32	15	without recess	ABS			B 90 02 316			B 90 02 336	
	52	32	15	34.90 x 19.85	ABS			B 90 02 326			B 90 02 346	
M	68	42	18	without recess	ABS			B 90 04 316			B 90 04 336	
	68	42	18	45.00 x 27.85	ABS			B 90 04 326			B 90 04 346	
L	78	48	20	without recess	TPE	B 90 06 617				B 90 06 637		
	78	48	20	without recess	TPE	B 90 06 007	B 90 06 008			B 90 06 107	B 90 06 108	
	78	48	20	without recess	TPE		B 90 06 918				B 90 06 938	
	78	48	20	without recess	TPE	B 90 06 017	B 90 06 018			B 90 06 117	B 90 06 118	
	78	48	20	without recess	TPE	B 90 06 027	B 90 06 028			B 90 06 127	B 90 06 128	
	78	48	20	without recess	TPE	B 90 06 037	B 90 06 038			B 90 06 137	B 90 06 138	
	78	48	20	without recess	ABS			B 90 06 316				B 90 06 336
	78	48	20	51.60 x 31.95	TPE	B 90 06 627				B 90 06 647		
	78	48	20	51.60 x 31.95	TPE	B 90 06 057	B 90 06 058			B 90 06 157	B 90 06 158	
	78	48	20	51.60 x 31.95	TPE		B 90 06 928				B 90 06 948	
	78	48	20	51.60 x 31.95	TPE	B 90 06 067	B 90 06 068			B 90 06 167	B 90 06 168	
	78	48	20	51.60 x 31.95	TPE	B 90 06 077	B 90 06 078			B 90 06 177	B 90 06 178	
	78	48	20	51.60 x 31.95	TPE	B 90 06 087	B 90 06 088			B 90 06 187	B 90 06 188	
	78	48	20	51.60 x 31.95	ABS			B 90 06 326				B 90 06 346
	MINITEC D											
	S	51	32	13	38.60 x 18.15	ABS			B 90 02 976			B 90 02 986
M	70	44	16	52.55 x 23.70	ABS			B 90 04 976				
L	84	53	19	63.95 x 30.10	TPE	B 90 06 657						
	84	53	19	63.95 x 30.10	TPE	B 90 06 207	B 90 06 208					
	84	53	19	63.95 x 30.10	TPE		B 90 06 958					
	84	53	19	63.95 x 30.10	TPE	B 90 06 217	B 90 06 218					
	84	53	19	63.95 x 30.10	TPE	B 90 06 227	B 90 06 228					
	84	53	19	63.95 x 30.10	TPE	B 90 06 237	B 90 06 238					
	84	53	19	63.95 x 30.10	ABS			B 90 06 976				

ACCESSORIES

Article	For enclosure MINITEC	Version / Application	Part-No.
① Key ring	E / D	nickel-plated, ø 20.5 mm	A 91 64 001
② Carrying strap "Reflex"	E / D	silver/black, with quick-action lock, approx. 860 mm long	B 91 00 022
③ Hand strap "Woven"	E / D	grey, with quick-action lock, approx. 200 mm long	B 91 00 044
④ Wrist strap	E (2 strap loops)	black, elastic belt with velcro, approx. 280 mm long	B 91 00 033



MINITEC ES/EM and DS/DM with TPE intermediate ring see Internet www.okw.com

*1 cases made of PMMA (plexiglass®) not comparable to cases made of ABS in terms of mechanical load-bearing capacity



THE PRODUCT

The new top parts of RAILTEC B in 12 modules wide offer various connection options for commercially available components such as:

- terminals,
- PCB plug headers and
- front connectors.

YOUR ADVANTAGE

Connections for up to 64 terminal blocks.

Available with/without ventilation slots for good heat dissipation.

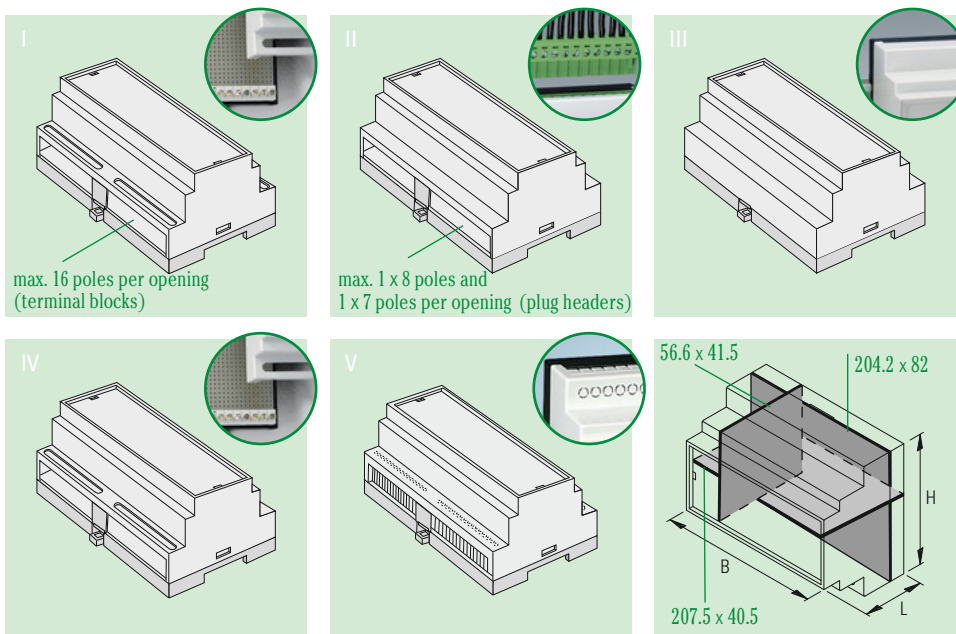
Flexible assembly. PCB positioning in all 3 directions: base part with fixing pillars, top parts with guide ridges.

Transparent lid (acc.) protects display and operation elements.

Locking clip preassembled in base part. Wall suspension element for direct wall mounting available as accessory.

APPLICATIONS

Universal use as installation case. Fully insulated and protected according to VBG4 as well as IEC 529/ DIN VDE 0470-1. Corresponding to the regulations of the machine-building and motorcar industry. Especially for the control techniques.



RAILTEC B*1

without ventilation slots		with ventilation slots		RAILTEC B	Outside dim. in mm			Version / Equipment	
W	H	L	W		H	L	termination options		
B 65 06 111	B 65 06 114	12 modules	210	90	58	I	terminal block 5.0/5.08 (64 terminals max.)		
B 65 06 112	B 65 06 115		210	90	58	II	plug header 5.0/5.08 (4 x 8 poles and 4 x 7 poles)		
B 65 06 113	B 65 06 116		210	90	58	III	closed case, e.g. for front connectors, SUB-D-connectors, etc.		
B 65 06 117	B 65 06 118		210	90	58	IV	terminal blocks 5.0/5.08 (32 terminals max., at the bottom only)		
B 65 06 110	B 65 06 119		210	90	58	V	perforation*2 for max. 64 terminal blocks or plug headers 4 x 8 poles and 4 x 7 poles		

ACCESSORIES

Part-No.				Article / Version
2 poles	3 poles	5 poles	16 poles	
			B 66 06 111	terminal block, 5.0/5.08, PC (UL 94 V-0), 4 pcs for version I + V or 2 pcs for version IV
B 66 06 222	B 66 00 222	B 66 01 222		plug header "PCB", block 5.08, PA 68 (UL 94 V-0), max. cable ϕ 2.5 mm ²
B 66 06 223	B 66 00 223	B 66 01 223		plug header "plug", block 5.08, PA 68 (UL 94 V-0), max. cable ϕ 2.5 mm ²

*1 material: base parts PPO (UL 94 V-0), top parts PC (UL 94 V-0)

*2 block 5.0; the perforations can be separated quickly and easily

RAILTEC B version VI for individual configuration with terminal guards, for further sizes and accessories see Internet www.okw.com

THE PRODUCT

The RAILTEC C range is now available in 12 modules wide, with a width of 210 mm.

YOUR ADVANTAGE

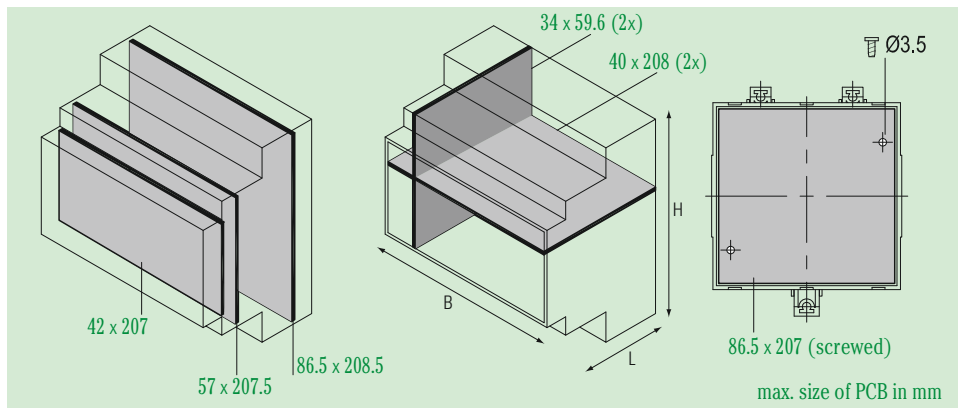
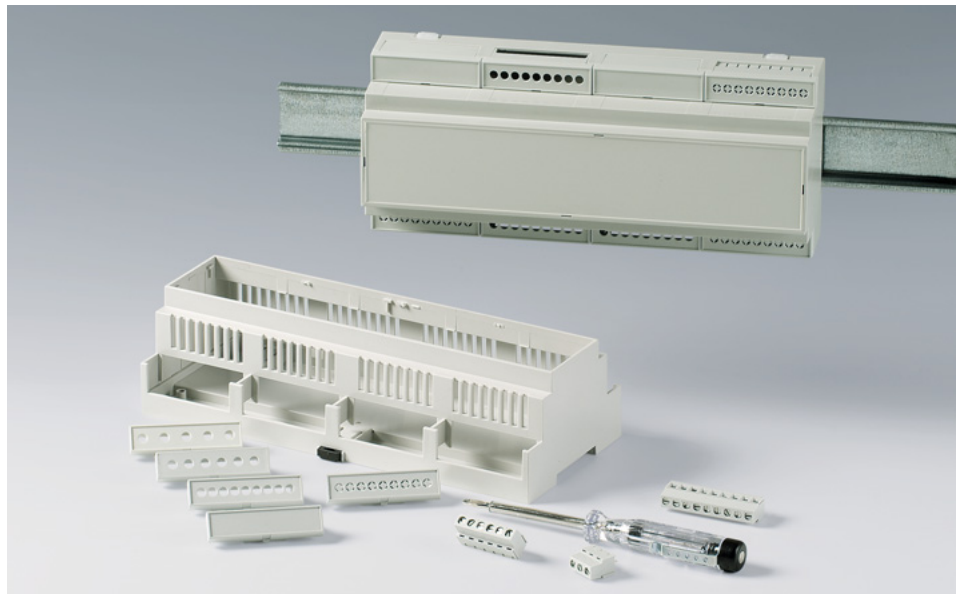
Individual configuration with system components. Easy assembly through snap-in installation of the case parts. Depending on requirements, different terminal guards are available for standard commercial components.

Available with/without ventilation slots for good heat dissipation.

Flexible assembly. PCB positioning in all 3 directions: base part with fixing pillars, top parts with guide ridges.

APPLICATIONS

Universal application as installation case, e.g. in automation, building services and security systems, heating and air conditioning. Especially suitable as an automatic control case for time controllers, sensors, relays, signal distributors etc.



ENCLOSURES*1

RAILTEC C	Outside dim. in mm			front	Version / Equipment		Material	Part-No.
	W	H	L		connections side with	ventilation slots		
12 modules	210	90	58	I	open	free through passage	PC (UL 94 V-0)	B 67 07 100
	210	90	58	II	open	free through passage	PC (UL 94 V-0)	B 67 07 102

ACCESSORIES

Article	For enclosures RAILTEC C, 12 modules	type	Version / Equipment		Part-No.
			poles		
① Terminal guards (max. 8 pcs/enclosure)	version I, II	closed	–	PC (UL 94 V-0), light grey, 1 pc	B 68 02 111
	version I, II	perforated, block 5.08*2	9	PC (UL 94 V-0), light grey, 1 pc	B 68 02 112
	version I, II	with holes, block 5.08*2	9	PC (UL 94 V-0), light grey, 1 pc	B 68 02 113
	version I, II	with holes, block 7.5 & 7.62*2	6	PC (UL 94 V-0), light grey, 1 pc	B 68 02 114
	version I, II	with holes, block 10.16*2	5	PC (UL 94 V-0), light grey, 1 pc	B 68 02 115
② Front panel	version I, II	PC (UL 94 V-0), light grey, 42 x 207.5 mm, 1 pc			B 68 07 100



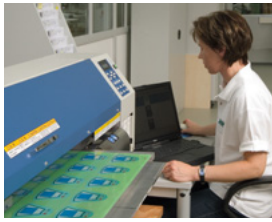
*1 enclosure light grey; clips black/translucent

*2 the max. number of poles is designed to allow the use of terminals

Further sizes and accessories see Internet www.okw.com

ACCESSORIES FOR ENCLOSURES

Part-No.	Application / Version	Article Supply	Picture
A 93 36 117	3 x 1.5 V mignon cells (AA), outside dim. 93 x 69 mm, ABS, off-white, RAL 9002	Battery compartment kit 1 battery comp., 1 battery comp. lid + M3 screw, 1 holder, 2 sealings, 1 set of battery clips, nickel-plated, 4 self-tapping screws.	
A 93 36 118	3 x 1.5 V mignon cells (AA), outside dim. 93 x 69 mm, ABS, lava, NCS 7502-B		
A 93 36 119	3 x 1.5 V mignon cells (AA), outside dim. 93 x 69 mm, ABS, black, RAL 9005		
A 93 38 117	5 x 1.5 V mignon cells (AA), outside dim. 93 x 98 mm, ABS, off-white, RAL 9002		
A 93 38 118	5 x 1.5 V mignon cells (AA), outside dim. 93 x 98 mm, ABS, lava, NCS 7502-B		
A 93 38 119	5 x 1.5 V mignon cells (AA), outside dim. 93 x 98 mm, ABS, black, RAL 9005		
<p>For direct installation in front panels or case walls. Easy battery replacement. Battery compartment lid for snap-in and/or screw-on mounting. Assembly: Screwed to bracket from behind. Alternatively with adhesive foil, on request. Recommended for 3 mm wall thickness where a recess of 1.5 mm is necessary, for the battery compartment is flush with the wall surface. Adjustment of recess or screw length required for greater wall thicknesses.</p>			
A 91 90 010 as alternative to A 91 61 001*	① for 4 x 1.5 V mignon cells (AA), nickel-plated, suitable for battery compartment A9174004 (COMTEC 150/200, DATEC-CONTROL S, DATEC-MOBIL-BOX M, ERGO-CASE M/L, HAND-TERMINAL M)	Set of battery clips 1 set each.	
A 91 90 011 as alternative to A 91 94 001*	② for 2 x 1.5 V mignon cells (AA), nickel-plated, suitable for DATEC-MOBIL-BOX S with battery compartment		
A 91 90 012 as alternative to A 91 61 002*	③ for 4 x 1.5 V mignon cells (AA), nickel-plated, suitable for DATEC-MOBIL-BOX L with battery compartment		
A 91 90 013 as alternative to tin-plated battery clips* supplied with the case	④ for 4 x 1.5 V mignon cells (AA), nickel-plated, suitable for LUX CASE 150/190 with battery comp., SHELL-TYPE CASE V 155, V 190, G 155 and G 190 with battery compartment 4 x AA, HAND-HELD-BOX N with battery comp.		
A 91 90 014 as alternative to tin-plated battery clips* A 91 93 003 + A 91 93 004	⑤ for 2 x 1.5 V mignon cells (AA), nickel-plated, suitable for SHELL-TYPE CASE V 155 and G 155 with battery compartment 2 x AA		
<p>The new, nickel-plated sets of battery clips comply with DIN EN 60601. The modified geometry rules out the possibility of a short circuit when inserting the batteries incorrectly.</p>			
A 91 93 011	⑥ for single contact "Positive", nickel-plated steel	Battery clips single pieces 1 pc each.	
A 91 93 012	⑦ for single contact "Negative", nickel-plated steel		
A 91 93 013	⑧ for double contact "Left", nickel-plated steel		
A 91 93 014	⑨ for double contact "Right", nickel-plated steel		
<p>Compliant with DIN EN 60601. Designed for battery compartments with 1.5 V AA batteries: COMTEC 150/200, DATEC-CONTROL S, DATEC-MOBIL-BOX S/M/L, ERGO-CASE M/L, HAND-TERMINAL M, LUX CASE 150/190, SHELL-TYPE CASE V/G, HAND-HELD-BOX N</p>			
A 92 26 238	Wall susp. element	ABS, lava NCS S 7502-B, for secure storage of the enclosure, 1 set	SENSO-CASE M
A 91 56 003	Battery holder	Spring steel, nickel-plated, for 1 x 9 V flat battery (PP3), 1 set	
<p>Enclosures and further accessories see catalogue / Internet www.okw.com.</p>			
A 91 66 005	double-sided adhesive foil with foam carrier, suitable for holder M		Adhesive foil for holder SMART-CASE M/L/XL 1 pc each.
A 91 67 005	double-sided adhesive foil with foam carrier, suitable for holder L		
A 91 68 005	double-sided adhesive foil with foam carrier, suitable for holder XL		
<p>For self-adhesive mounting of the holder.</p>			
A 91 00 001	plastic, volcano, NCS, NCS 5502-G, inside ring diameter 2.5 mm, max. wall thickness 3 mm, location hole ø 4 mm required		Ring eyelet 1 pc each.
A 91 00 002	plastic, volcano, NCS, NCS 5502-G, inside ring diameter 4 mm, max. wall thickness 4 mm, location hole ø 5 mm required		
<p>For universal use. For threading in hand straps and the like. Simple installation with locking hook. Hand strap / carrying strap / key ring as separate articles, see MINITEC accessories page 11.</p>			



OKW SYSTEM PARTNER

STANDARD RANGE

We offer you exceptional innovative services, outstanding aesthetic design and convincing quality direct ex stock.

With an OKW case, you draw the attention and curiosity of the user to your product. Our functional added value also ensures that users are particularly appreciative of your products. This is why you should pay particular attention to the details that OKW cases offer.



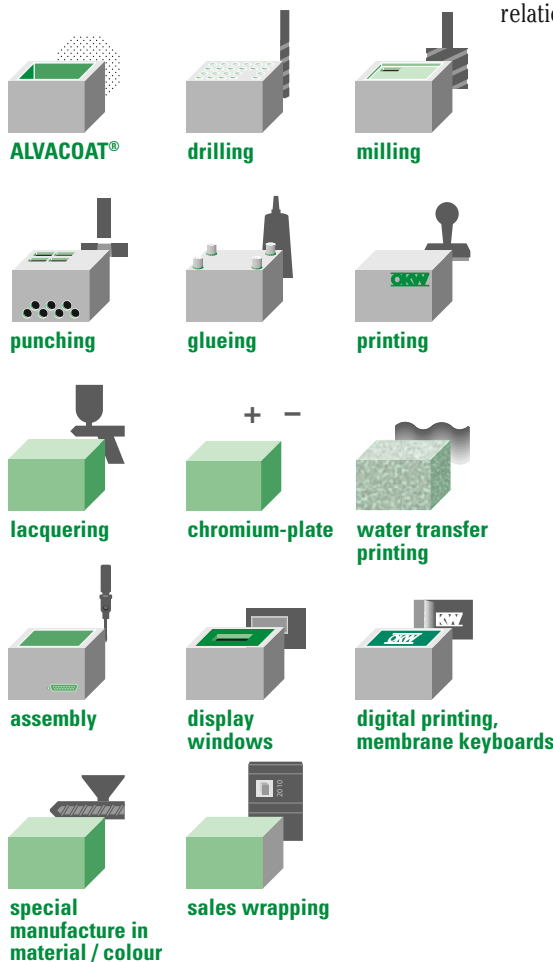
Our service, according to your wishes ...

- Competent advisory service right from the start.
- Solution-oriented planning and development.
- Flexible production, from sample design to series-type production.
- Professional service provision.
- Application-oriented EMC.
- Individual assembly of accessories.
- Short delivery periods even for customer-specific modifications.

MODIFICATIONS

Our range of standard products offers plenty of scope for your individual product. Subsequent modification helps to create solutions specially tailored to your corporate identity and your particular application – quickly and reliably.

Our standard tools are also designed to be able to accommodate customer-specific variants. With larger quantities this is a low-cost alternative to reworking.



CUSTOMER DESIGN

We are pleased to pass on to you our many years of experience in the development and manufacture of plastic cases. You should therefore make use of our potential for your individual case. Whether it is a question of product concept, material specifications, optimum tooling design, high quality surface finish etc., we have the technical competence for an all-round solution.

You have the chance to give your product an individual design and, through the combination with standard parts, also benefit from the attractive relationship between investment and benefit.

The picture above right shows the top part of a case with custom-designed geometry incl. fibre optic functions. The case is completed by the bottom part of the 240 x 120 Robust-Box. With friendly approval of the company Balluff, Neuhausen a.d.F.



