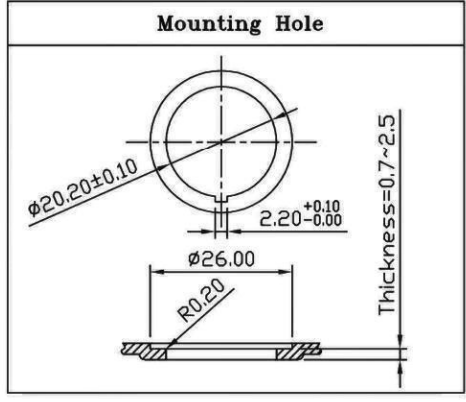
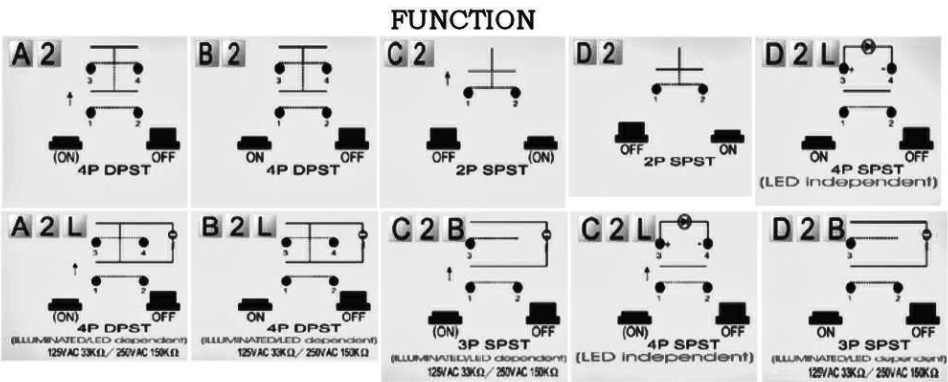
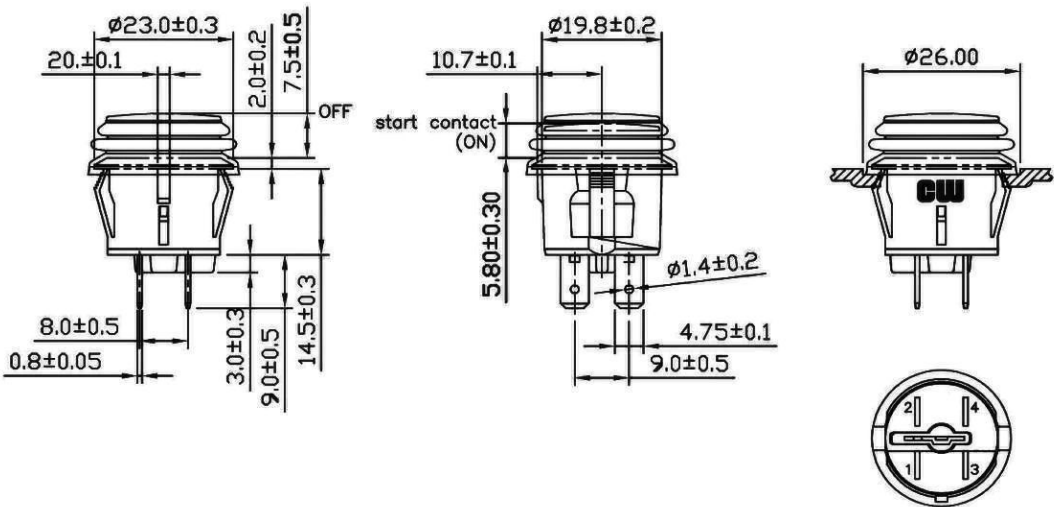


THIS INFORMATION IS CONFIDENTIAL AND PROPRIETARY TO CW INDUSTRIES INCORPORATED AND ITS AFFILIATES. IT MAY NOT BE DISCLOSED TO ANYONE, OTHER THAN CW INDUSTRIES PERSONNEL, WITHOUT WRITTEN AUTHORIZATION FROM CW INDUSTRIES INCORPORATED, SOUTHAMPTON, PENNSYLVANIA USA.

|                       |                                       |  |
|-----------------------|---------------------------------------|--|
| Rating                | 10A 125V AC 1/2HP<br>6A 250V AC 1/2HP |  |
|                       | 20A 14VDC, 10A 28VDC                  |  |
| Contact Resistance    | 50m ohm Max.                          |  |
| Insulation Resistance | DC 500V 100M ohm Min.                 |  |
| Dielectric Strength   | AC 1500V 1 minute                     |  |
| Operation Temp.       | - 25 ° C ~ 85 ° C                     |  |
| Function              | SEE CHART                             |  |



Frames are nylon (UL flame: 94V-2).  
 Actuators are Black, PC (94V-2).  
 Illuminated Actuators are molded in PC, available in Red, Amber or Green Colors.  
 Waterproof Rubber: Black, Silicone.  
 Terminals are silver plated brass.  
 Waterproof and Dustproof to fit IP-65.



**TERMINAL**  
 0 2 .187" SQ

RoHS Compliant

|  |                                  |        |                               |                    |
|--|----------------------------------|--------|-------------------------------|--------------------|
| <br>Southampton, Pa. 18966<br>Tel 215.355.7080/www.cwind.com | Date Drawn: 1/28/11              | Rev. 0 | Unit: mm                      | Checked By: G.Guld |
|  | Title: <b>PUSH BUTTON SWITCH</b> |        | CW P/N: <b>GPB527X2SERIES</b> |                    |