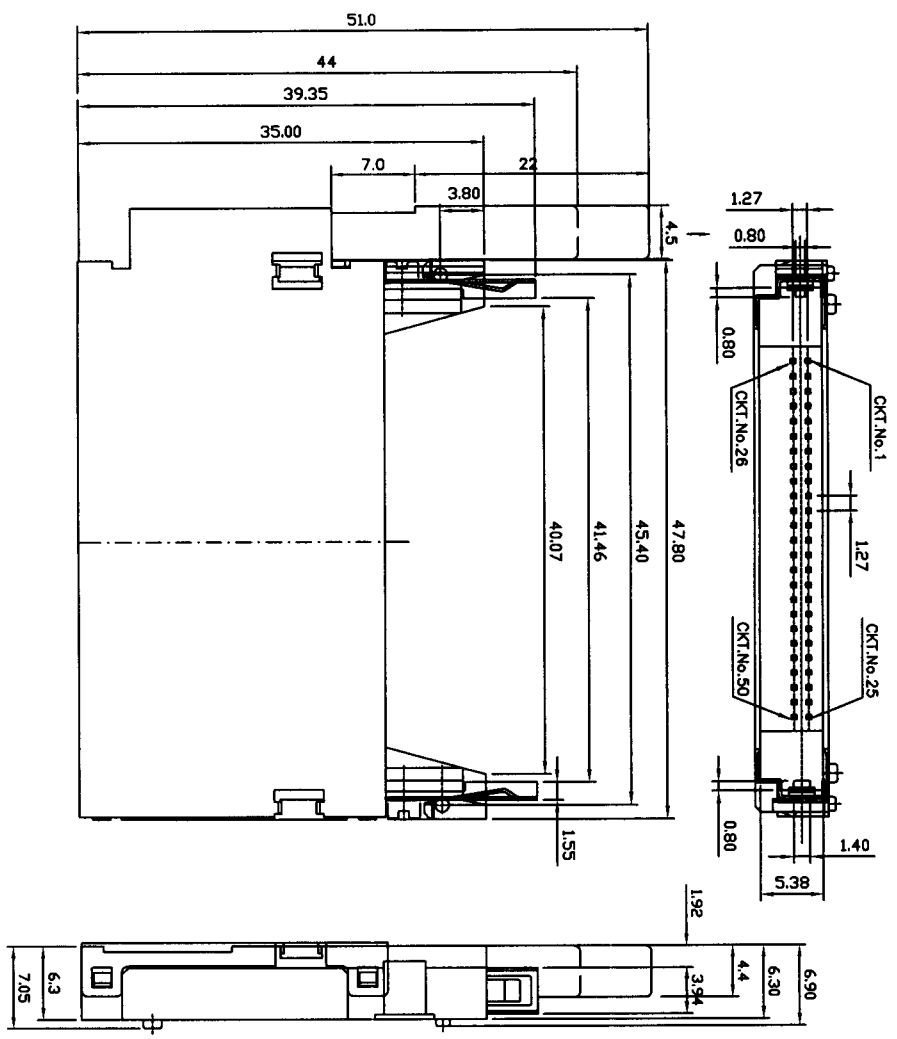
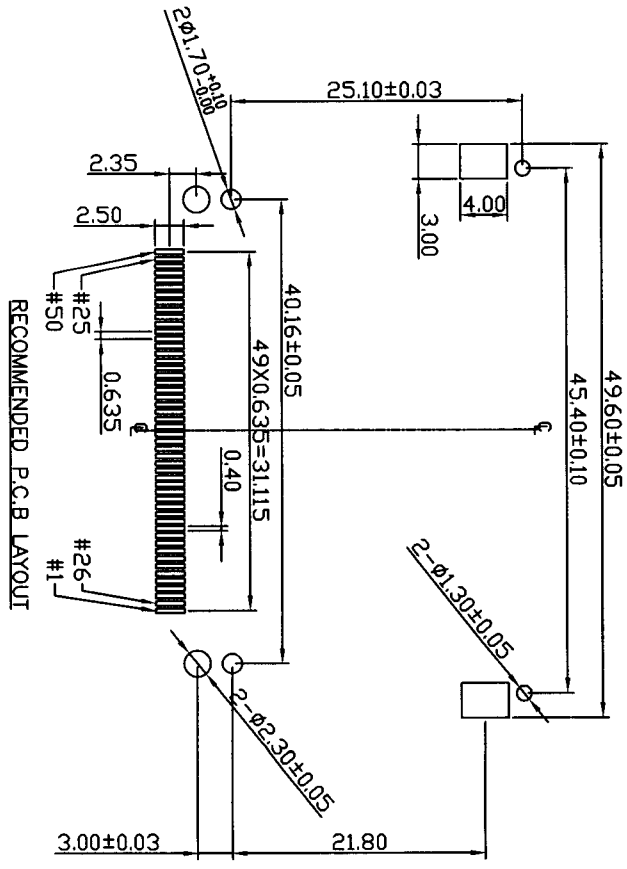
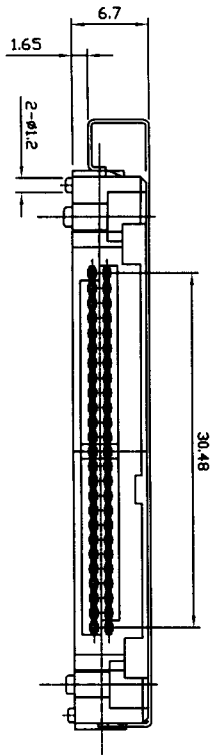


THE INFORMATION CONTAINED IN THIS DRAWING IS THE SOLE PROPERTY OF YAMAICHI ELECTRONICS DEUTSCHLAND GmbH. ANY REPRODUCTION IN PART OR WHOLE WITHOUT THE WRITTEN PERMISSION OF YAMAICHI ELECTRONICS DEUTSCHLAND GmbH IS PROHIBITED.



POWER	5.00mm
GENERAL	4.25mm
DETECT	3.50mm
Pin type	Interface Dim. L



Rev.No.	Revision Description	Drw. App.	Date
C	Specification Change	SAK SAK	26/10/00
D	Part number change	SAK SAK	05/12/00
E	Design change	SAK SAK	11/01/01
F	Dimension additions	SAK SAK	05/02/01
G	Stand-off / Part no.	SAK SAK	19/03/01
H	Dimension changes	SAK SAK	29/05/01
J	Recommended PCB layout	SAK SAK	30/08/01

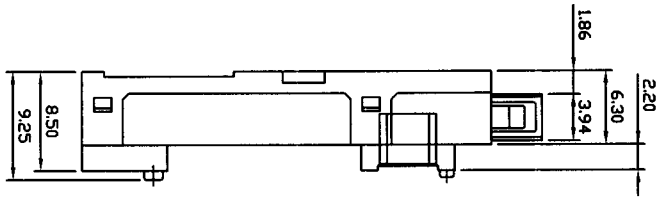
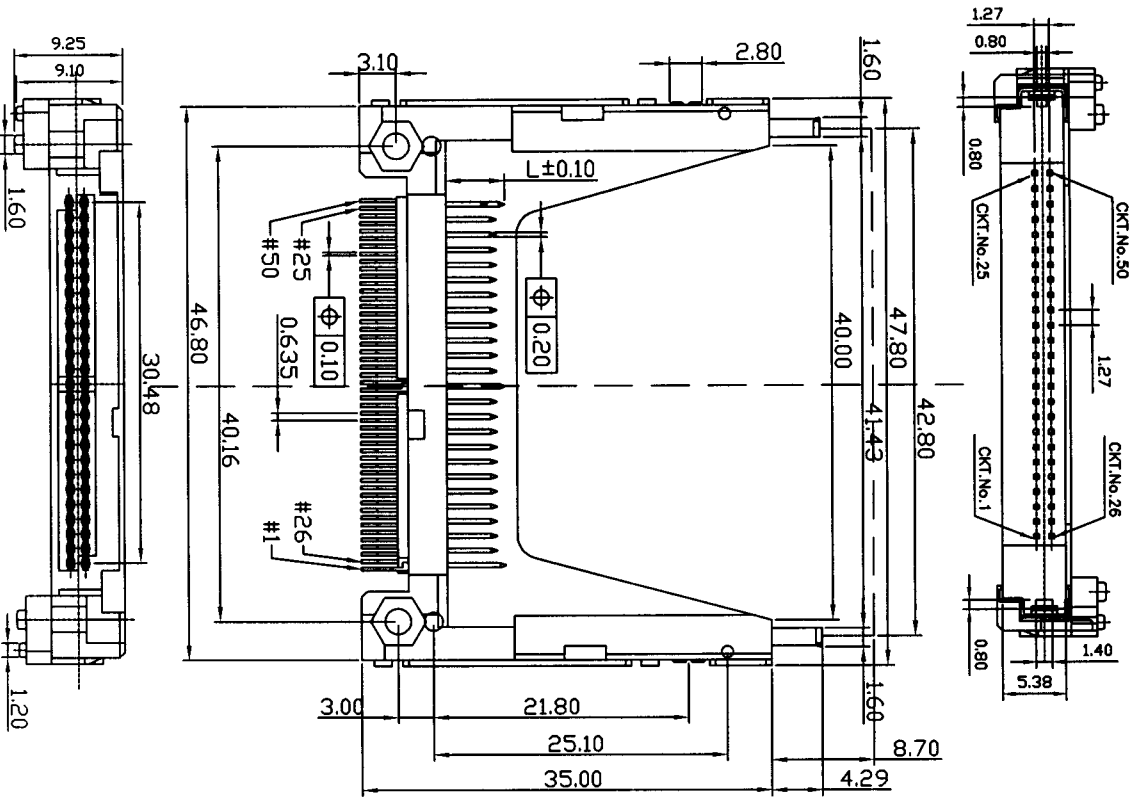
Notes:
Tolerances ± 0.3 unless otherwise specified.
For ordering code and engineering notes, see drawing P(039)A02, sheet 2/2.



Scale:	%	APP	APP	CHK	DRW.	DSGN.	Title:
Dimension:	mm	09/1/99	09/1/99	09/1/99	09/1/99	09/1/99	90° SMT type, male, ejector version
Angle Proj.:	PA	WMM	SAK	SAK	SAK	SAK	Drawing No.:
							P(039)A02
							Sheet No.:
							1/2
							Rev
							J

Drawing 1.D · CF050-P2

THE INFORMATION CONTAINED IN THIS DRAWING IS THE SOLE PROPERTY OF YAMACHI ELECTRONICS DEUTSCHLAND GmbH. ANY REPRODUCTION IN PART OR WHOLE WITHOUT THE WRITTEN PERMISSION OF YAMACHI ELECTRONICS DEUTSCHLAND GmbH IS PROHIBITED.



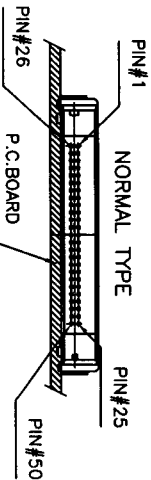
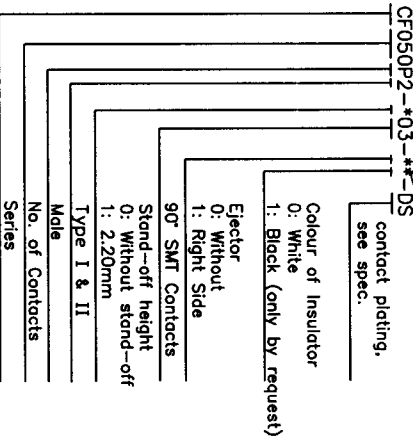
POWER	5.00mm
GENERAL	4.25mm
DETECT	3.50mm
Pin type	Interface Dim. L

SPECIFICATION

Insulation Resistance: 1000MΩ at 500V DC
 Withstanding Voltage: 500V AC for 1 Minute
 Voltage Rating: 100V max.
 Current Rating: 1A AC/DC max.
 Contact Resistance: 40mΩ max. at 20mV max./10mA max.
 Operating Temperature Range: -20°C ~ +90°C
 Reflow Solder Temperature: 235°C max. for 3 sec.
 Mating Cycles: 10,000

MATERIAL

Insulator: Glass Reinforced LCP UL94V-0
 Push button: Glass Reinforced PBT UL94V-0
 Cover: Stainless Steel
 Contacts: Brass
 Mount eor: Brass ;Tin plated overall
 CONTACT PLATING
 Contact area: Gold flash plating over 40u" Nickel
 Solder tail area: 100u" tin plating over 40u" Nickel
PART NUMBER:
 CF050P2-*03-*-*-DS



Notes:
 Tolerances ±0.3 unless otherwise specified.
 For PCB Layout, see Drawing P(039)A02, sheet 1/2

Scale: %	APP.	APP.	CHK.	DRW.	DSCN.
Dimension: mm	09/7/99	09/7/99	09/7/99	09/7/99	09/7/99
Angle Proj.:	PA	WM	SAK	SAK	SAK

Classification: CF050P2*03-*-*-DS
 Title: Compact Flash Adapter Type I & II
 Drawing No.: P(039)A02
 Sheet No.: 2/2
 Rev. J



Drawing I.D.: CF050-P2,

752D-50AX20X11