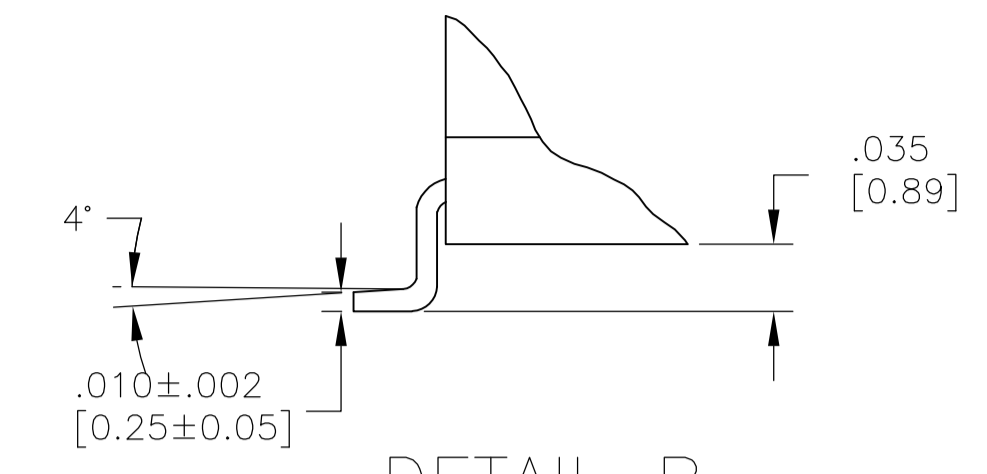
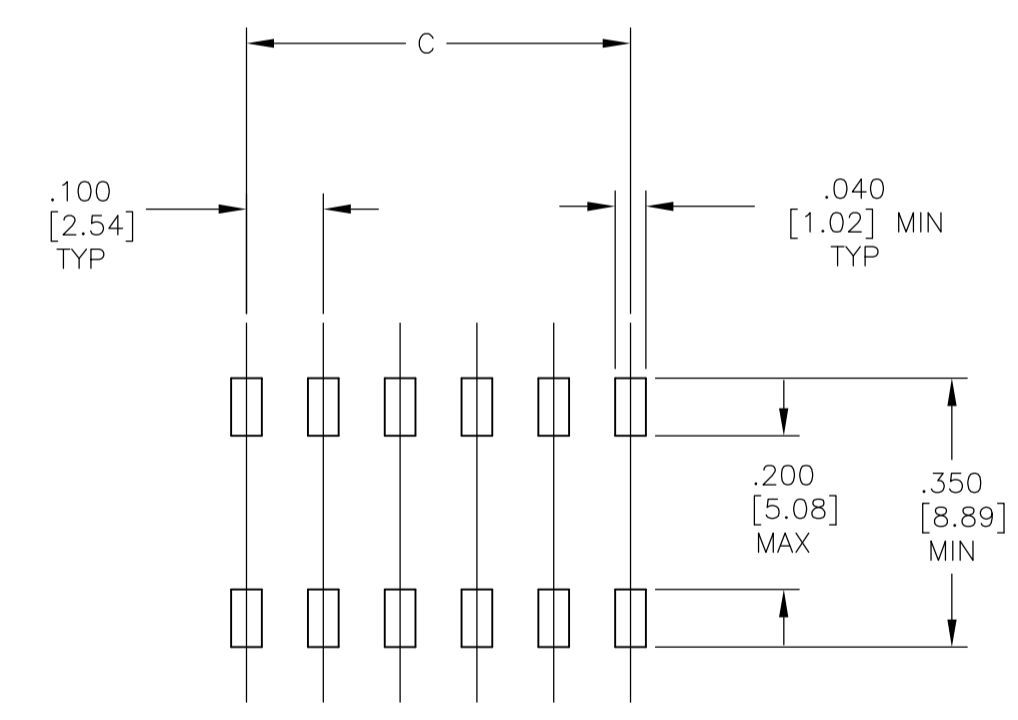
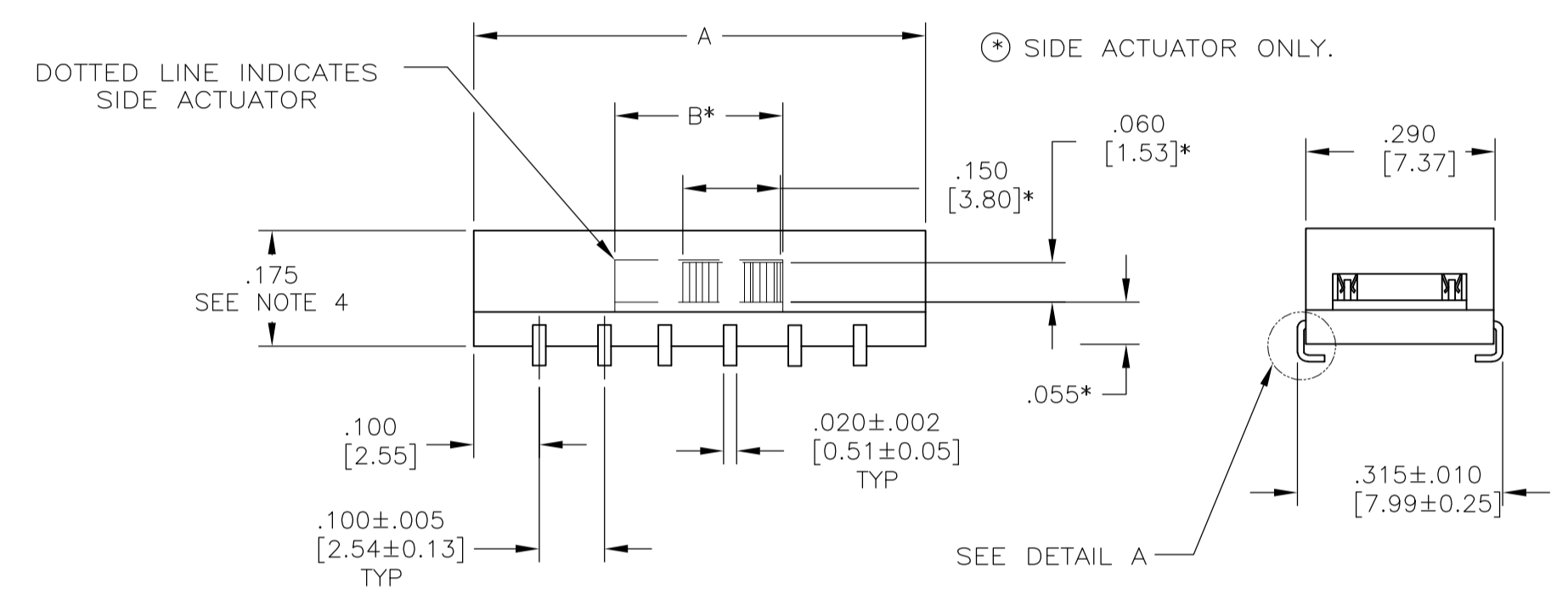
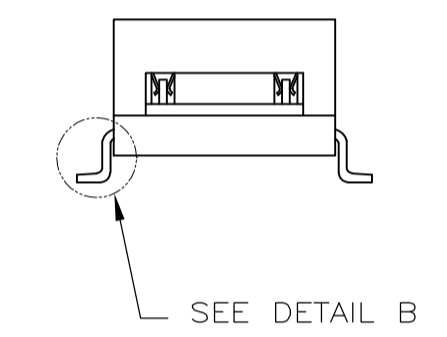
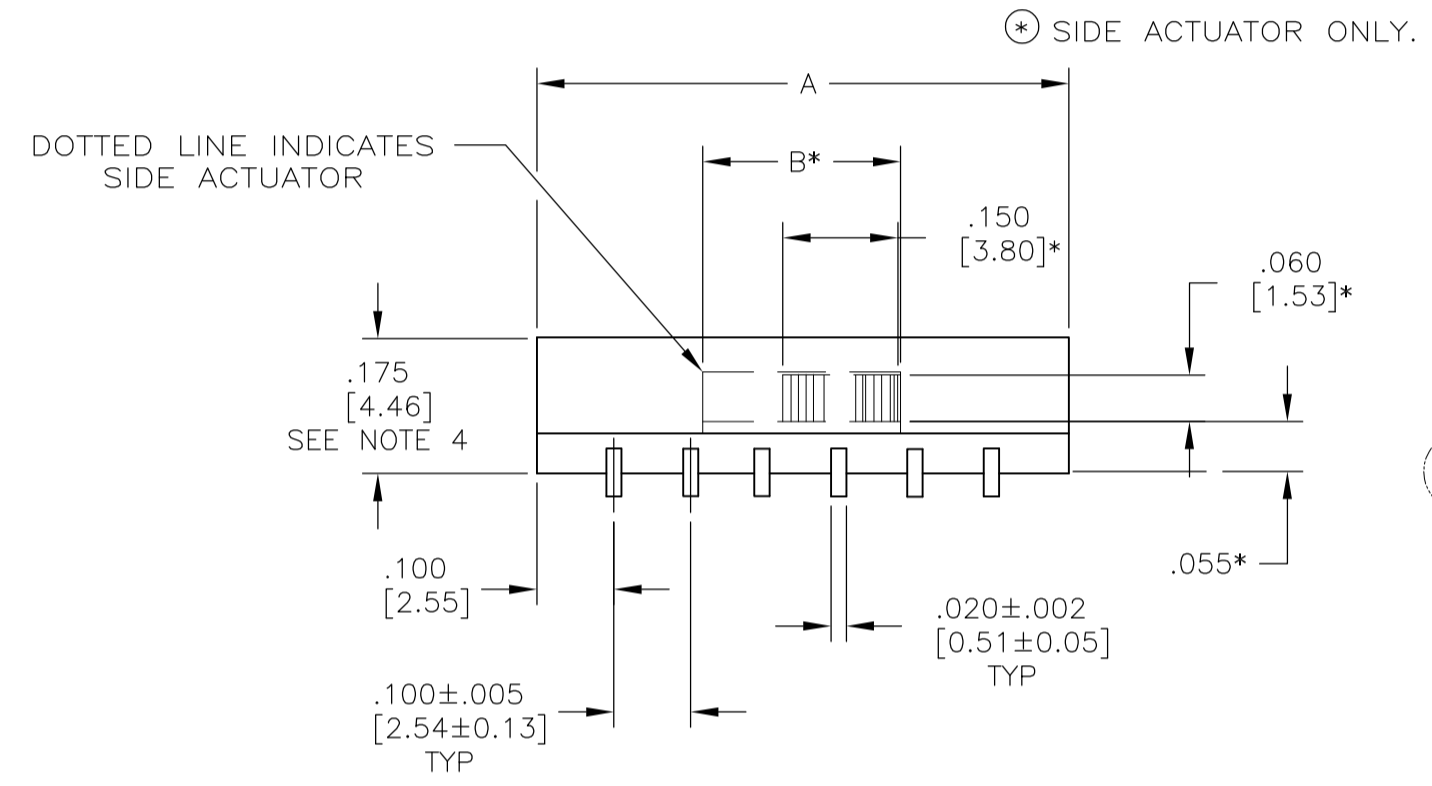
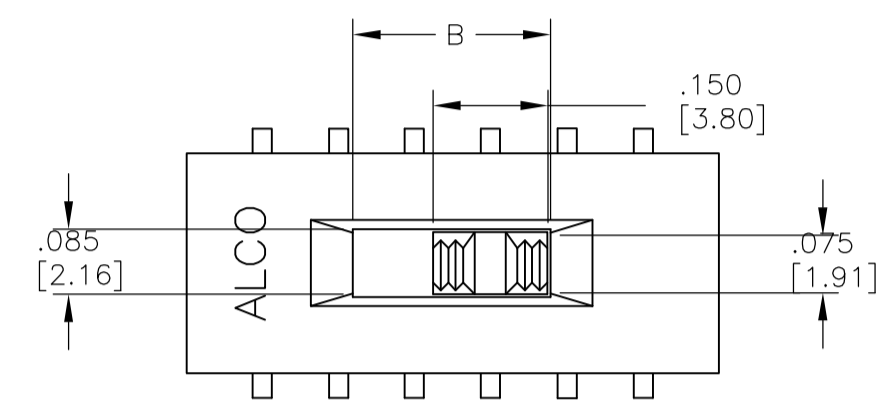


DETAIL A
SCALE 10:1

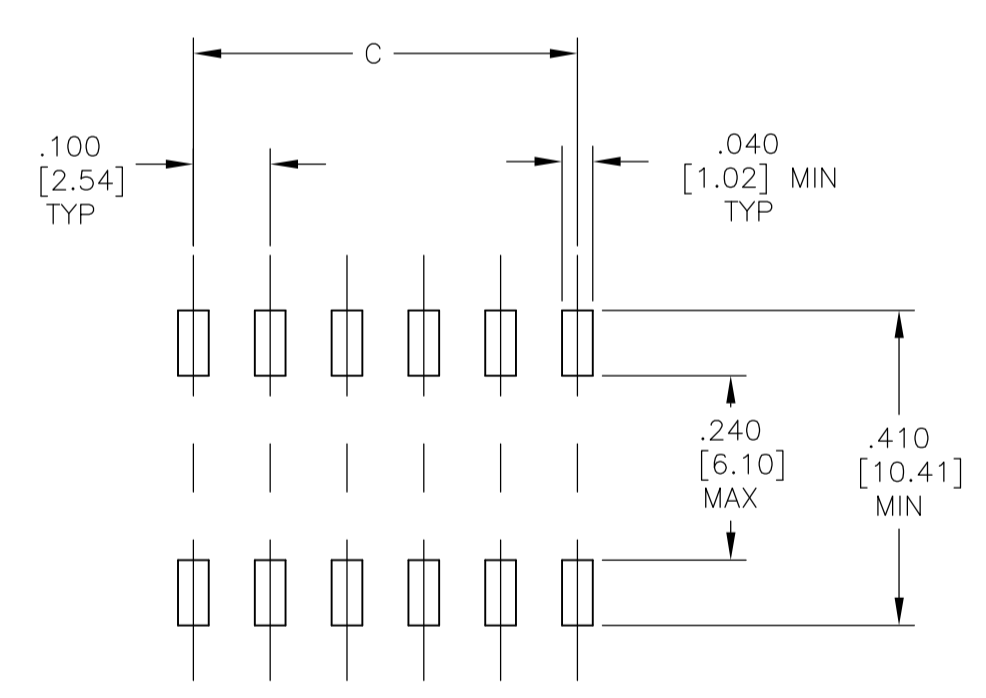


DETAIL B
SCALE 10:1



PRINTED CIRCUIT BOARD
PAD LAYOUT

"S" J-LEAD TYPE SURFACE MOUNT



PRINTED CIRCUIT BOARD
PAD LAYOUT

"L" GULL WING TYPE SURFACE MOUNT

THIS DRAWING IS A CONTROLLED DOCUMENT.		DIN B.S.VISWESWARA 20FEB05		TE Connectivity	
		CIRK M.S.SARVER 20FEB05			
DIMENSIONS: INCHES [mm]		TOLERANCES UNLESS OTHERWISE SPECIFIED:		NAME M.S.SARVER 20FEB05	
0 PLC ± -		1 PLC ± -		PRODUCT SPEC	
2 PLC ± -		3 PLC ± .01(0.25)		APPLICATION SPEC	
4 PLC ± -		ANGLES ± ± 1°		SIZE CAGE CODE DRAWING NO. RESTRICTED TO	
MATERIAL SEE SHEET 1		FINISH SEE SHEET 1		A1 00779 C=1825011	
		WEIGHT		CUSTOMER DRAWING SCALE 4:1 SHEET 2 OF 2 REV B1	