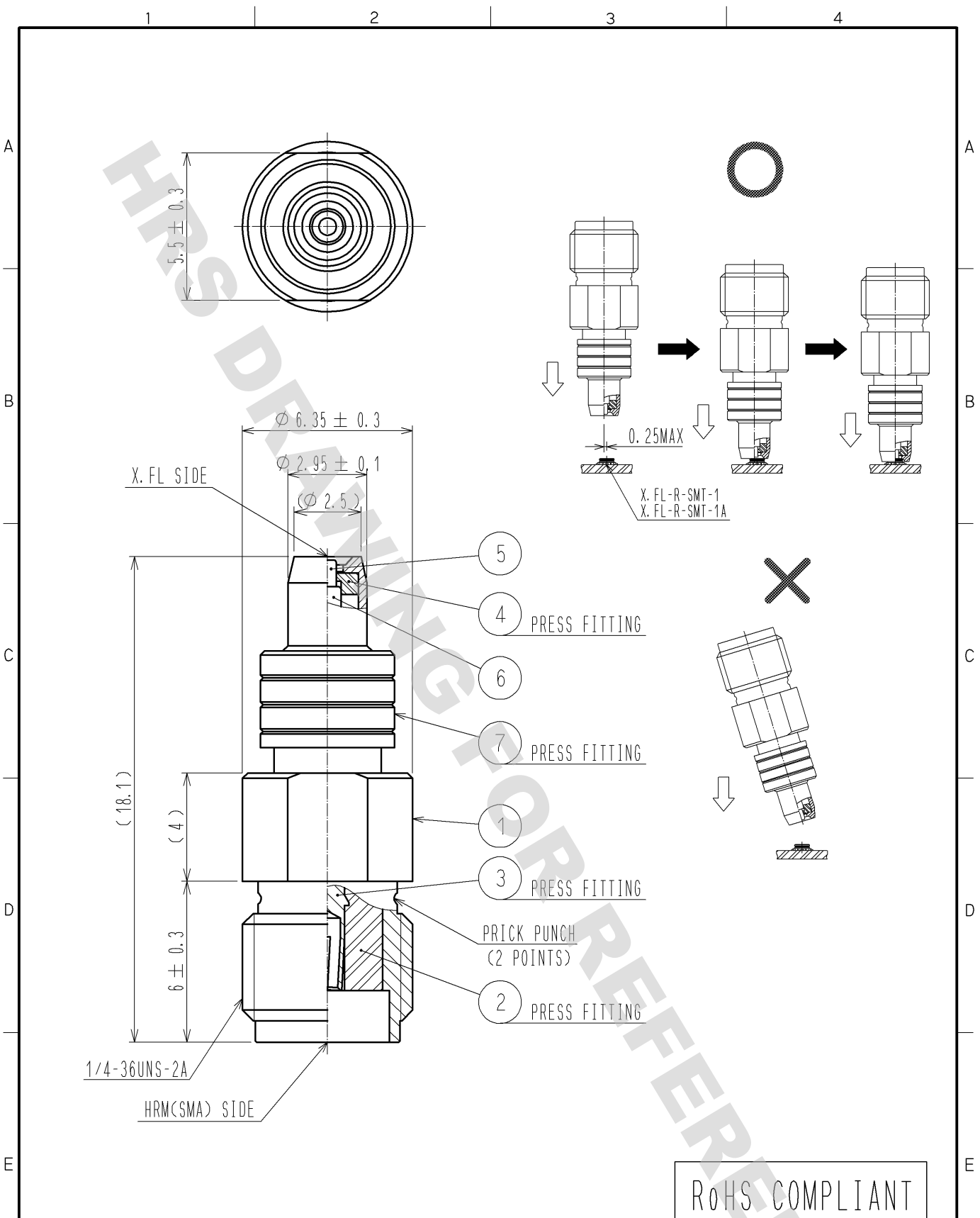


DRAWING FOR REFERENCE: This is subject to change without notice
08/11/2012



RoHS COMPLIANT

4	PTFE			7	STAINLESS STEEL	GOLD PLATING		
3	BERYLLIUM COPPER	GOLD PLATING		6	BRASS	GOLD PLATING		
2	PTFE			5	BERYLLIUM COPPER	GOLD PLATING(FREE CONTACT)		
1	BRASS	NICKEL PLATING						
NO.	MATERIAL	FINISH	REMARKS	NO.	MATERIAL	FINISH	REMARKS	
UNITS mm		SCALE 5 : 1	COUNT 	DESCRIPTION OF REVISIONS		DESIGNED	CHECKED	DATE
HIROSE ELECTRIC CO., LTD.		APPROVED : MH. YAMANE	11. 05. 28	DRAWING NO.		EDC4-328934-00		
		CHECKED : NK. NINOMIYA	11. 05. 27	PART NO.		HRMJ-X. FLP-ST3		
		DESIGNED : MY. KOJIMA	11. 05. 24	CODE NO.		CL311-0450-5-00		
		DRAWN : MY. KOJIMA	11. 05. 24					

Mouser Electronics

Authorized Distributor

Click to View Pricing, Inventory, Delivery & Lifecycle Information:

[Hirose Electric:](#)

[HRMJ-X.FLP-ST3](#) [HRMJ-X.FLP](#)