



## THE PRODUCT

The new MINITEC cases convince their users thanks to their mini-dimensions and maxi-benefits.

Whether round your neck or round your wrist, MINITEC cases are your loyal companions and are always within easy reach. They are so small and light that they also fit into any trouser pocket.

Whether with orange, green, blue or volcano-coloured intermediate rings or one coloured, these MINITEC cases are the right enclosures for today's personal electronics.

Different versions offer the required flexibility for applications in everyday situations.

## YOUR ADVANTAGE

Modern, flat styling.

Easy to wear, e.g. round your neck, or as a bracelet with wrist strap, or on a key ring. Strap loops and eyelets are already integrated.

TPE ring for a pleasant touch sensation and as impact protection.

Variety of colours.

Also available in infra-red light-permeable material.

Recessed operating area for the protection of the membrane keyboard.

Fixing supports for PCBs and integrated parts in the bottom part of the case.

## APPLICATIONS

Many different types of remote control systems.

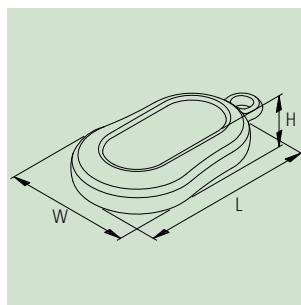
Specially made for clinic and social fields as well as in the household and in industry, e.g. emergency systems, monitoring and alarm equipment, radio remote control etc.

## PROTECTION CLASS IP 41

## MAX. SIZE OF PCB

MINITEC	L x W in mm bottom part
ES	36 x 24
EM	51 x 34
DS	35 x 27
DM	51 x 38

(cutouts of pillars not taken into consideration)



### One coloured

- Off-white, RAL 9002
- Lava, NCS S 7502-B
- Black, RAL 9005

### Two coloured

#### Enclosures

- Off-white, RAL 9002
- Lava, NCS S 7502-B

#### Intermediate rings

- Volcano, NCS 5502-G
- Orange, NCS S 1070-Y40R
- Green, NCS S 1070-G60Y
- Blue, NCS S 1060-B

## ENCLOSURES

TYPE / SIZE	Outside dim. in mm			Equipment (dim. in mm)			Part-No.			Part-No.		
	L	W	H	max. dim. keypad	intermediate ring		ABS (UL 94 HB) off-white	PMMA*1 black	lava	ABS (UL 94 HB) off-white	PMMA*1 black	lava
<b>MINITEC E</b>												
S	52	32	15	without recess	TPE		B 90 02 617			B 90 02 637		
	52	32	15	without recess	TPE		B 90 02 007	B 90 02 008		B 90 02 107	B 90 02 108	
	52	32	15	without recess	TPE			B 90 02 918			B 90 02 938	
	52	32	15	without recess	TPE		B 90 02 017	B 90 02 018		B 90 02 117	B 90 02 118	
	52	32	15	without recess	TPE		B 90 02 027	B 90 02 028		B 90 02 127	B 90 02 128	
	52	32	15	without recess	TPE		B 90 02 037	B 90 02 038		B 90 02 137	B 90 02 138	
	52	32	15	without recess	PMMA				B 90 02 046			B 90 02 146
	52	32	15	34.90 x 19.85	TPE		B 90 02 627			B 90 02 647		
	52	32	15	34.90 x 19.85	TPE		B 90 02 057	B 90 02 058		B 90 02 157	B 90 02 158	
	52	32	15	34.90 x 19.85	TPE			B 90 02 928			B 90 02 948	
	52	32	15	34.90 x 19.85	TPE		B 90 02 067	B 90 02 068		B 90 02 167	B 90 02 168	
	52	32	15	34.90 x 19.85	TPE		B 90 02 077	B 90 02 078		B 90 02 177	B 90 02 178	
	52	32	15	34.90 x 19.85	TPE		B 90 02 087	B 90 02 088		B 90 02 187	B 90 02 188	
	52	32	15	34.90 x 19.85	PMMA				B 90 02 096			B 90 02 196
M	68	43	18	without recess	TPE		B 90 04 617			B 90 04 637		
	68	43	18	without recess	TPE		B 90 04 007	B 90 04 008		B 90 04 107	B 90 04 108	
	68	43	18	without recess	TPE			B 90 04 918			B 90 04 938	
	68	43	18	without recess	TPE		B 90 04 017	B 90 04 018		B 90 04 117	B 90 04 118	
	68	43	18	without recess	TPE		B 90 04 027	B 90 04 028		B 90 04 127	B 90 04 128	
	68	43	18	without recess	TPE		B 90 04 037	B 90 04 038		B 90 04 137	B 90 04 138	
	68	43	18	without recess	PMMA				B 90 04 046			B 90 04 146
	68	43	18	45.00 x 27.85	TPE		B 90 04 627			B 90 04 647		
	68	43	18	45.00 x 27.85	TPE		B 90 04 057	B 90 04 058		B 90 04 157	B 90 04 158	
	68	43	18	45.00 x 27.85	TPE			B 90 04 928			B 90 04 948	
	68	43	18	45.00 x 27.85	TPE		B 90 04 067	B 90 04 068		B 90 04 167	B 90 04 168	
	68	43	18	45.00 x 27.85	TPE		B 90 04 077	B 90 04 078		B 90 04 177	B 90 04 178	
	68	43	18	45.00 x 27.85	TPE		B 90 04 087	B 90 04 088		B 90 04 187	B 90 04 188	
	68	43	18	45.00 x 27.85	PMMA				B 90 04 096			B 90 04 196
<b>MINITEC D</b>												
S	51	32	13	38.60 x 18.15	TPE		B 90 02 657			B 90 02 667		
	51	32	13	38.60 x 18.15	TPE		B 90 02 207	B 90 02 208		B 90 02 257	B 90 02 258	
	51	32	13	38.60 x 18.15	TPE			B 90 02 958			B 90 02 968	
	51	32	13	38.60 x 18.15	TPE		B 90 02 217	B 90 02 218		B 90 02 267	B 90 02 268	
	51	32	13	38.60 x 18.15	TPE		B 90 02 227	B 90 02 228		B 90 02 277	B 90 02 278	
	51	32	13	38.60 x 18.15	TPE		B 90 02 237	B 90 02 238		B 90 02 287	B 90 02 288	
	51	32	13	38.60 x 18.15	PMMA				B 90 02 246			B 90 02 296
	M	70	44	16	52.55 x 23.70	TPE		B 90 04 657				
70		44	16	52.55 x 23.70	TPE		B 90 04 207	B 90 04 208				
70		44	16	52.55 x 23.70	TPE			B 90 04 958				
70		44	16	52.55 x 23.70	TPE		B 90 04 217	B 90 04 218				
70		44	16	52.55 x 23.70	TPE		B 90 04 227	B 90 04 228				
70		44	16	52.55 x 23.70	TPE		B 90 04 237	B 90 04 238				
70	44	16	52.55 x 23.70	PMMA				B 90 04 246				

## ACCESSORIES

	Article	For enclosure MINITEC	Version / Application	Part-No.
	① Key ring	E / D	nickel-plated, ø 20.5 mm	A 91 64 001
	② Carrying strap "Metallic"	E / D	silver with plastic sheath, approx. 860 mm long	B 91 00 011
	③ Carrying strap "Reflex"	E / D	silver/black with quick-action lock, approx. 860 mm long	B 91 00 022
	④ Wrist strap	E (2 strap loops)	elastic belt with velcro, black, approx. 280 mm long	B 91 00 033

\*1 cases made of PMMA (plexiglass®) not comparable to cases made of ABS in terms of mechanical load-bearing capacity

**NEW PRODUCT**