

ULTRA MINIATURE PLASTIC PACKAGE PURE SILICON™ CLOCK OSCILLATOR

ASEM



Life Size

3.2 x 2.5 x 0.85 mm

ASEM

Pb | RoHS/RoHS II Compliant

FEATURES:

- Ultra Miniature Pure Silicon™ Clock Oscillator
- MEMS Technology by Discera
- Low Power Consumption <10mA
- Exceptional Stability Over Temp. at -40 to +85°C.
- Available over Extended Operating Temperature
- Low Cost-Compact QFN Plastic Packaging
- Compact Package design

APPLICATIONS:

- CCD Clock for VTR Camera
- Equipment Connected to PCs
- Low Profile Equipment
- Lower Cost Crystal Oscillator Replacement
- Computers and Peripherals
- Portable Electronics (MP3 Players, Games)
- Consumer Electronics such as TV's, DVR's, etc.
- Vibrant, Shock-Prone & Humid Environments for Industrial Equipment
- Demanding Military & Automotive Electronics



STANDARD SPECIFICATIONS:

Parameters		Minimum	Typical	Maximum	Units	Notes
Frequency Range:		1.0	-----	150	MHz	
Operating Temperature:		0	-----	+70	°C	See options
Storage Temperature:		-55	-----	+150	°C	
Overall Frequency Stability*:		-100	-----	+100	ppm	See options
Supply Voltage (Vdd):		+1.8 ~ +3.3			V	See options
Supply Current (no load):	1.0 to 39.9999MHz	-----	3	10	mA	No load RL=∞ T=25°C
	40.0 to 79.9999MHz	-----	4	10		
	80.0 to 124.9999MHz	-----	5	10		
	125.0 to 150MHz	-----	6	10		
Output Voltage:	V _{OH}	0.8*V _{dd}	-----	-----	V	15pF
	V _{OL}	-----	-----	0.2*V _{dd}		
Rise Time:	Tr	-----	1.3	2.0	ns	15pF; T=25°C 20%/80%*VDD
Fall Time:	Tf	-----	1.3	2.0		
Output Load:		15pF max / 10kΩ min.			pF	See options
Symmetry:		45	-----	55	%	@1/2Vdd
Startup Time:		-----	1.5	3.0	ms	
Disable Time:		-----	20	100	ns	
Disable Stand-by Current:		-----	-----	1	uA	
Tri-state Function (Stand-by) :		"1" (VIH≥0.75*Vdd) or Open: Oscillation "0" (VIH<0.25*Vdd) : Hi Z			V	
Cycle to cycle jitter:		-----	95	-----	ps	F=100MHz
Aging:		-5.0	-----	+5.0	ppm	First year

Absolute Maximum Ratings

Item	Minimum	Maximum	Unit	Condition
Supply Voltage	-0.3	+4.0	V	
Input Voltage	-0.3	Vdd+0.3	V	
Junction Temp.	-----	+150	°C	
Soldering Temp.	-----	+260	°C	40sec max
ESD	HBM	2,000	V	
	MM	200		
	CDM	500		

ABRACON IS
ISO 9001:2008
CERTIFIED



2 Faraday, Suite# B | Irvine | CA 92618 Revised: 04.30.15
Ph. 949.546.8000 | Fax. 949.546.8001
Visit www.abracon.com for Terms and Conditions of Sale

ULTRA MINIATURE PLASTIC PACKAGE PURE SILICON™ CLOCK OSCILLATOR

ASEM



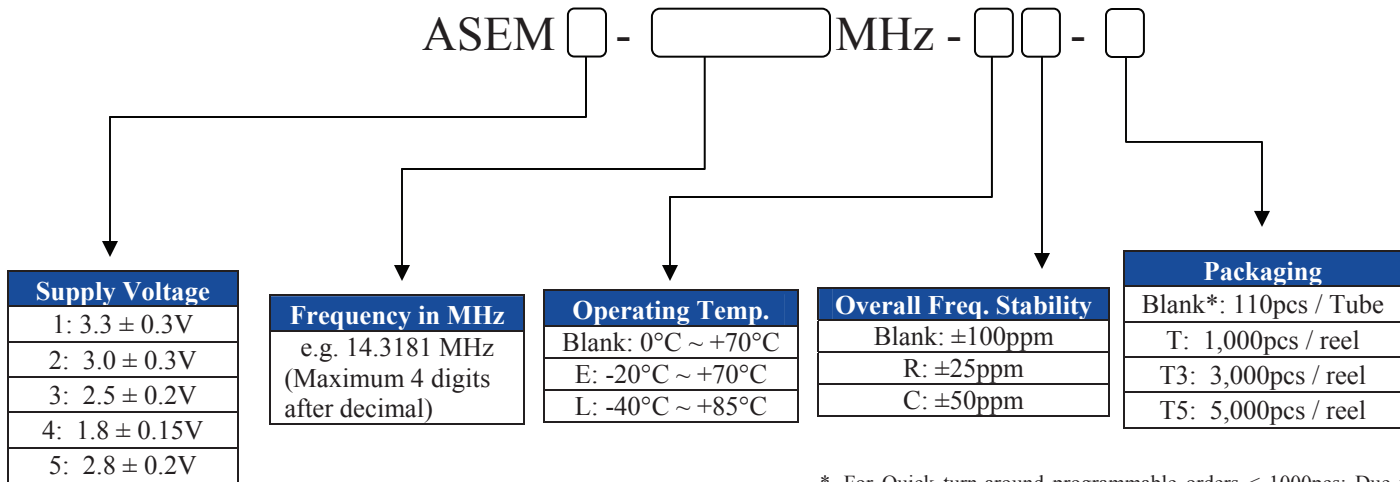
Life Size

3.2 x 2.5 x 0.85 mm

ASEM

RoHS/RoHS II Compliant

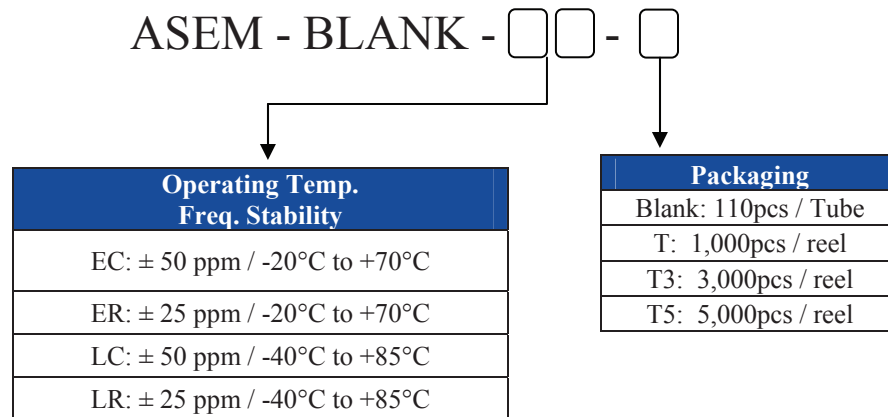
➤ PART NUMBER FOR PROGRAMMED ORDERS (Quantity > 1,000pcs)



* For Quick turn-around programmable orders < 1000pcs: Due to the immediate availability of stock and the qty of the order, the parts may be delivered as BULK: Cut Tape, Loose parts in Antistatic Bag or in Tube(s). The MOQ per the series will still apply for Tube packaging.

Un-Programmed Orders (Quantity < 1,000pcs)

Blank un-programmed oscillators and our low cost portable programmer are available for quick turn engineering requirements. Please call ABRACON or visit MEMSpeed Pro site <http://www.abracon.com/memspeedpro/memspeedpro.html> for more information.



ULTRA MINIATURE PLASTIC PACKAGE PURE SILICON™CLOCK OSCILLATOR

ASEM



Life Size

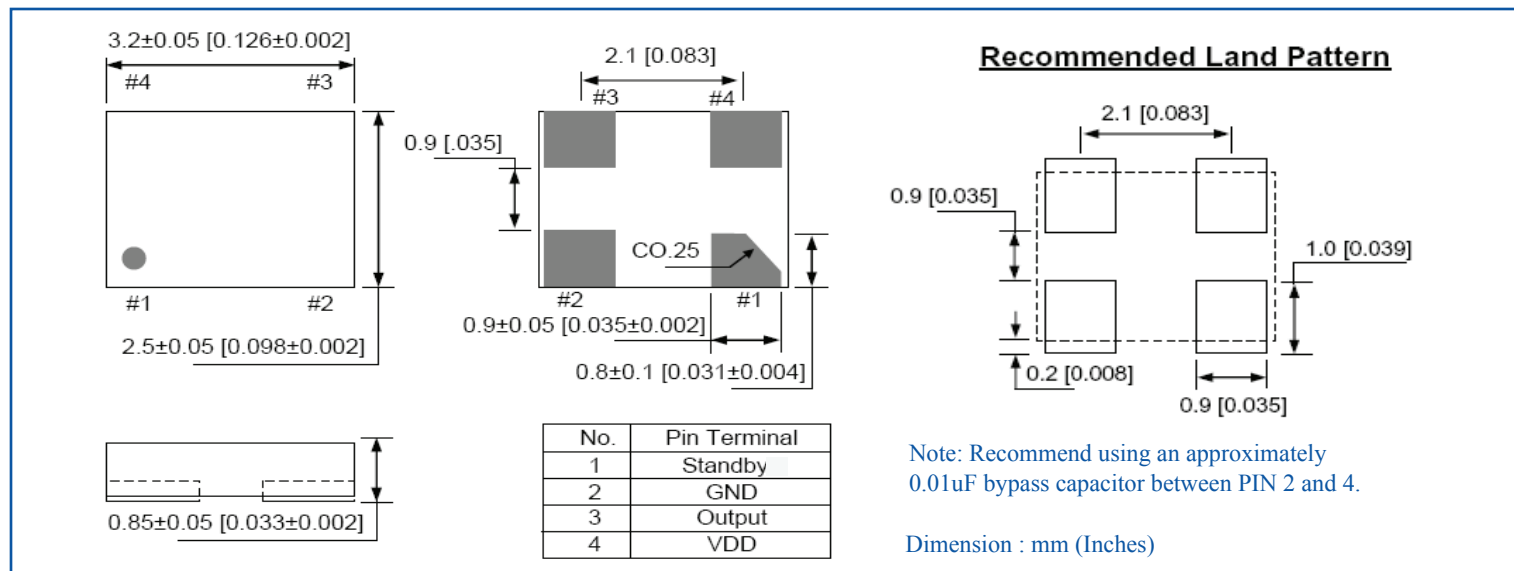


3.2 x 2.5 x 0.85 mm

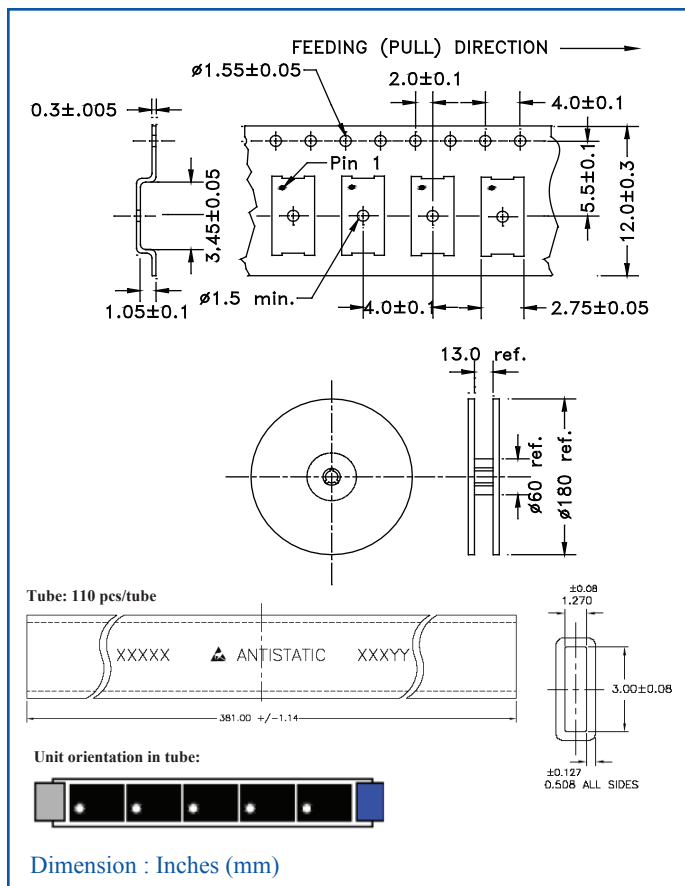
ASEM

Pb | RoHS/RoHS II Compliant

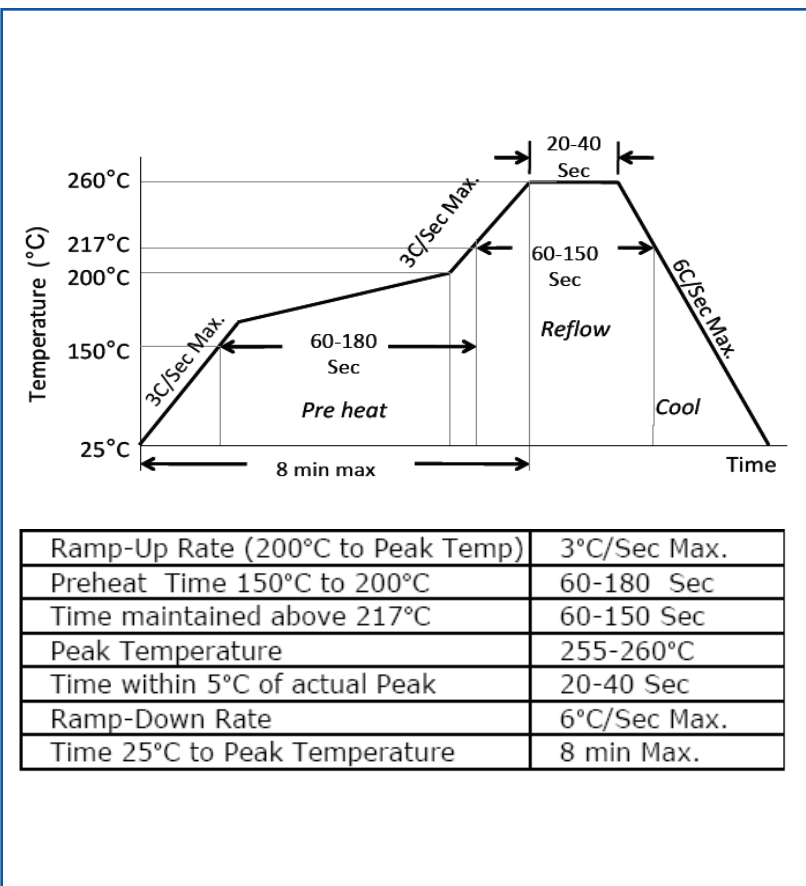
OUTLINE DRAWING:



TAPE & REEL: Tape and reel 1,000pcs/reel



REFLOW PROFILE:



Need a test socket for the ASEM Series? To view compatible **PRECISION TEST & BURN-IN SOCKETS** for these parts, [click here](#). P/N: AXS-3225-04-02

ATTENTION: Abracon Corporation's products are COTS – Commercial-Off-The-Shelf products; suitable for Commercial, Industrial and, where designated, Automotive Applications. Abracon's products are not specifically designed for Military, Aviation, Aerospace, Life-dependant Medical applications or any application requiring high reliability where component failure could result in loss of life and/or property. For applications requiring high reliability and/or presenting an extreme operating environment, written consent and authorization from Abracon Corporation is required. Please contact Abracon Corporation for more information.

ABRACON IS
ISO 9001:2008
CERTIFIED

ABRACON LLC
The Power of Linking Together

2 Faraday, Suite# B | Irvine | CA 92618 Revised: 04.30.15
Ph. 949.546.8000 | Fax. 949.546.8001
Visit www.abracon.com for Terms and Conditions of Sale