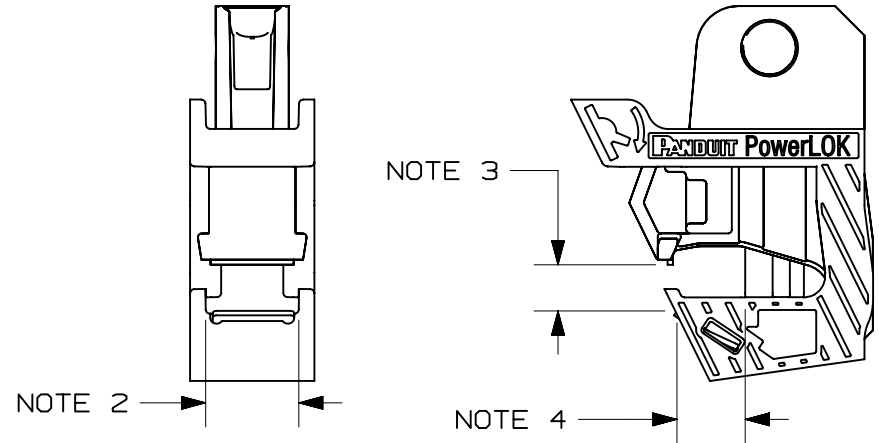
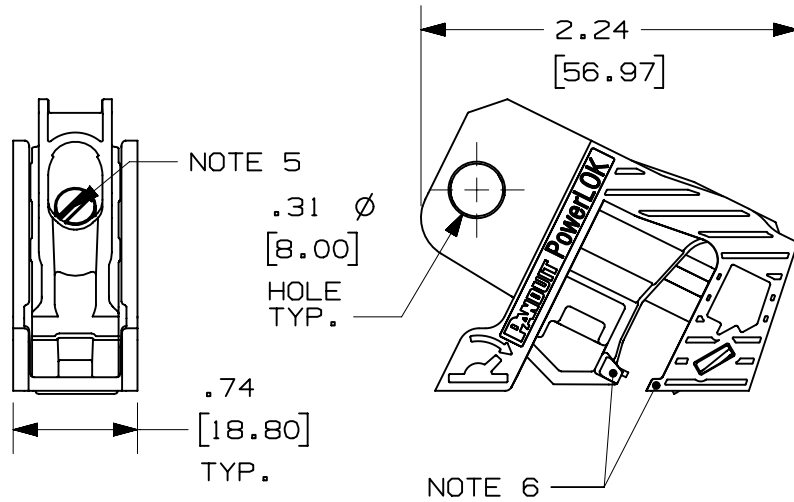


THIS COPY IS PROVIDED ON A RESTRICTED BASIS AND IS NOT TO BE USED IN ANY WAY DETRIMENTAL TO THE INTERESTS OF PANDUIT CORP.



COMPATIBLE PADLOCKS

- PSL-6 SERIES
- PSL-7 SERIES
- PSL-8 SERIES

NOTES:

1. MILLIMETERS ARE SHOWN IN BRACKETS
2. MAX SWITCH WIDTH: 0.55 [13.97]
3. MAX OPENING 0.64 [16.26]
MIN OPENING 0.18 [4.57]
4. MAX THROAT DEPTH: 0.40 [10.16]
5. RECOMMENDED LEAD SCREW TORQUE: 60 IN-OZ
6. FEATURES INDICATED ALLOW DEVICE TO GRIP EXTERNALLY TIED MULTIPOLE BREAKERS. FEATURES SHOULD BE INSERTED BELOW THE TIE BAR OF EXTERNALLY TIED BREAKERS. ONCE THESE FEATURES ARE POSITIONED, TIGHTEN SET SCREW OF DEVICE TO SECURE BREAKER. DEVICE SHOULD BE CENTERED ON TIE BAR.

01	7/16/13	MROB	MJPF	KLN	REMOVED PCBNT. ADDED NOTES 5 & 6. COMPATIBLE PADLOCKS	GAECN00982
00	3/20/13	MROB	MJPF	KLN	DRAWING RELEASE	GAECN00711
REV	DATE	BY	CHK	APR	DESCRIPTION	ECN

TITLE		PSL-PCB POWERLOK	
		CUSTOMER DRAWING	
ITEM REVISION NAME		I00230AA/05	
DATASET FILE NAME		I00230AA_DC_C11044/05B	
UNLESS OTHERWISE SPECIFIED, DIMENSIONAL TOLERANCES ARE: IN [mm]		PANDUIT	
.X ± - .XXX ± - .XX ± .01 [.25] ANGLES ± -			
		THIRD ANGLE PROJECTION	
DRAWN BY		DRAWING NUMBER:	
MROB		C11044	
DATE		SHT 1 OF 1	
3/25/13		A	
CHK		SIZE	
KLN		NTS	
SCALE			