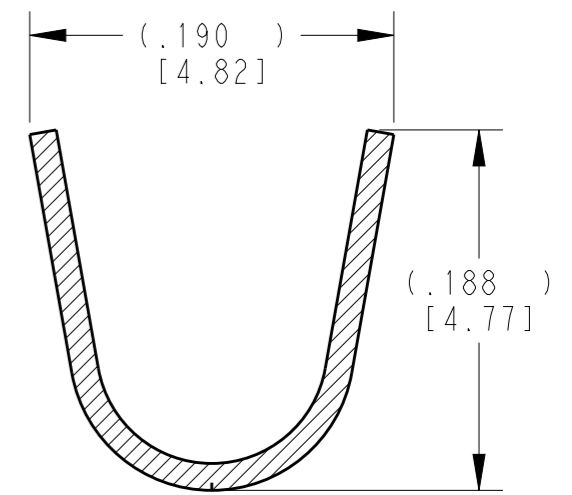
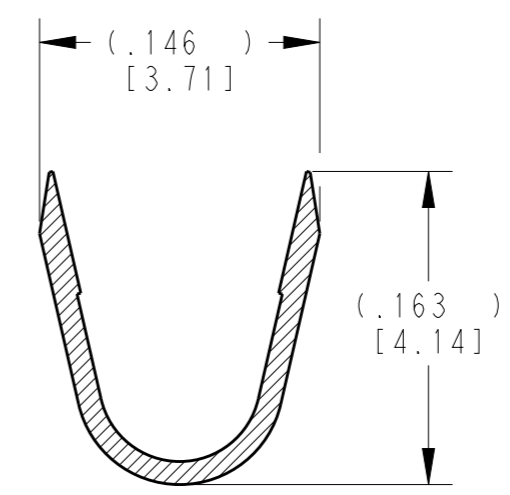
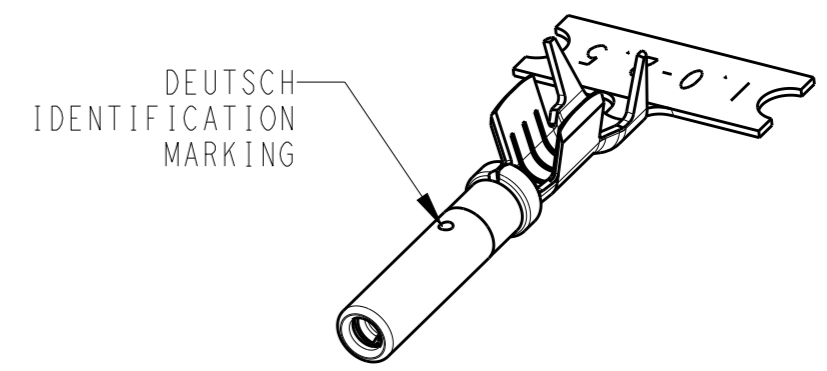
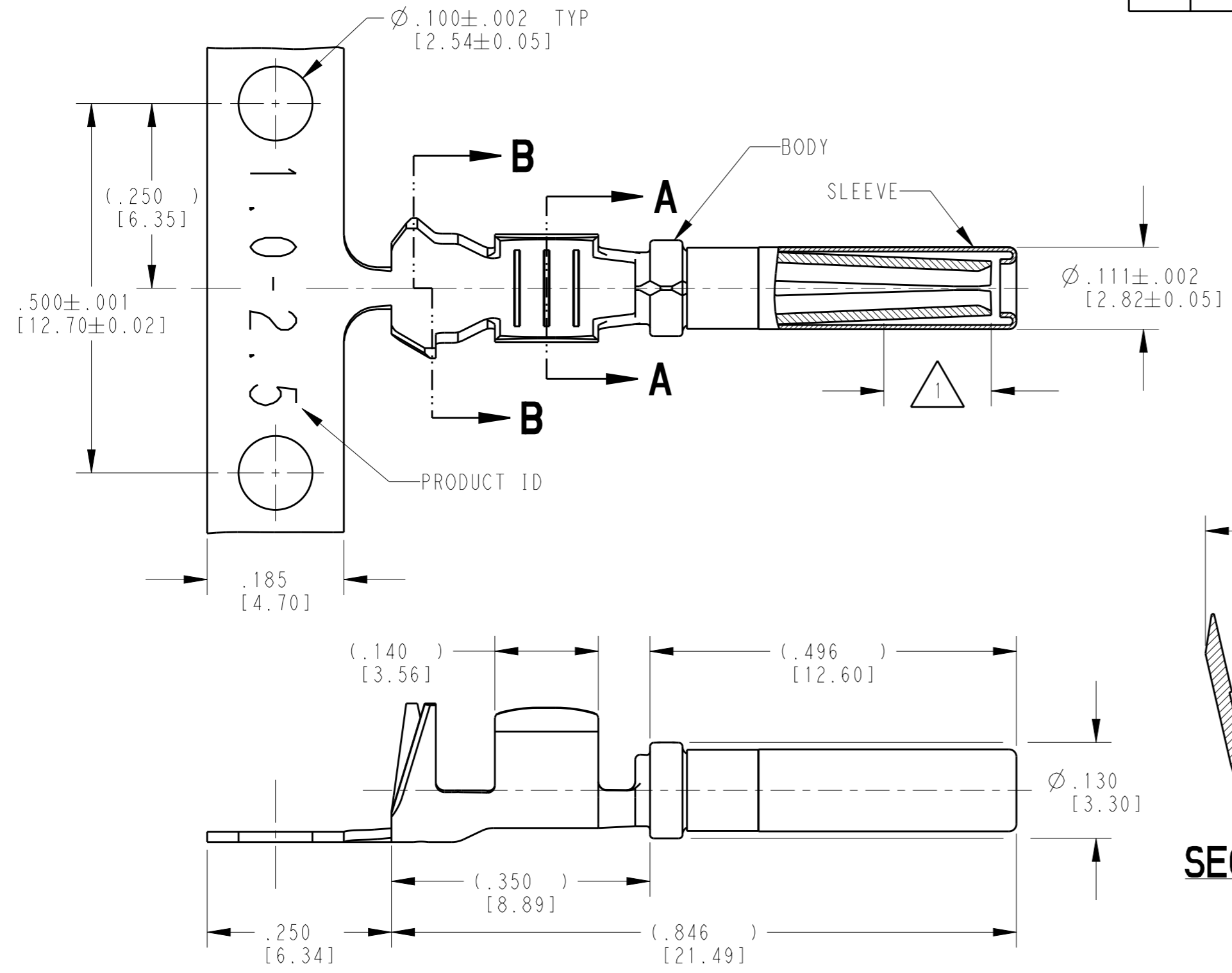


THIS DRAWING IS UNPUBLISHED
 RELEASED FOR PUBLICATION 2015
 © COPYRIGHT 2000 BY TE CONNECTIVITY ALL RIGHTS RESERVED.

| LOC | | DIST | | REVISIONS | | | |
|-----|-----|-----------------------------|-----------|-----------|------|--|--|
| P | LTR | DESCRIPTION | DATE | DWN | APVD | | |
| | NC | NEW RELEASE PER E.O. PI7672 | 14MAR2002 | DM | RDR | | |
| | A | REVISED PER E.O. PI9555 | 11JUL2007 | JA | RDR | | |
| | B | REVISED PER E.O. P20396 | 25JUN2010 | JA | RDR | | |
| | C | REVISED PER ECO-15-007761 | 28MAY2015 | RL | DM | | |



SECTION A-A
WIRE BARREL

SECTION B-B
INSULATION BARREL

- 3 MATERIAL:
BODY: .014 [0.36] THICK COPPER ALLOY
SLEEVE: STAINLESS STEEL
- 2. WIRE RANGE: 16 AWG TO 12 AWG [1.0-2.5 mm²]
INSULATION RANGE: Ø.075-.140 [Ø1.91-3.56]
- 1 APPLIES ONLY TO SELECTIVE GOLD 1062-16-1244.
INDICATED DIMENSION SHOWS GOLD PLATED AREA.

NOTES: UNLESS OTHERWISE SPECIFIED

| | |
|--|--|
| THIS DRAWING IS A CONTROLLED DOCUMENT. | |
| DIMENSIONS: mm [INCHES] | TOLERANCES UNLESS OTHERWISE SPECIFIED: |
| | 0 PLC ± |
| | 1 PLC ± |
| | 2 PLC ± |
| | 3 PLC ±.025 [0.64] |
| | 4 PLC ± |
| | ANGLES ± |
| MATERIAL | FINISH |
| | SEE TABLE |

| | |
|------------------|----------------|
| DWN | 28 JUN 2000 |
| CHK | VLADIMIR TOMSA |
| APVD | 14 MAR 2002 |
| APVD | BRICE BYFORD |
| APVD | 14 MAR 2000 |
| APVD | ROBIN REED |
| PRODUCT SPEC | 0425-015-0000 |
| APPLICATION SPEC | 0425-039-0000 |
| WEIGHT | 0.50 g |

| TE INTERNAL PN | DEUTSCH PN | PLATING |
|----------------|--------------|----------------|
| 1062-16-1222 | 1062-16-1222 | NICKEL |
| 1062-16-1244 | 1062-16-1244 | SELECTIVE GOLD |
| 1062-16-1277 | 1062-16-1277 | TIN |

TE Connectivity

NAME: SOCKET, STAMPED AND FORMED
SIZE 16
12-16AWG

| | | | |
|------|-----------|----------------|---------------|
| SIZE | CAGE CODE | DRAWING NO | RESTRICTED TO |
| A3 | 4AFU8 | ©=1062-16-12XX | - |

Customer Drawing SCALE 6:1 SHEET 1 OF 1 REV C