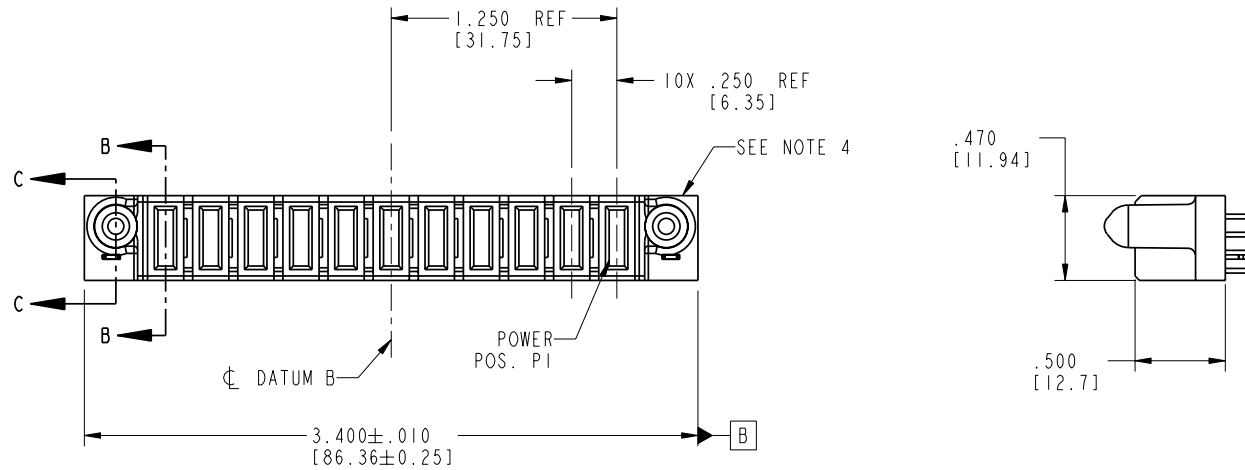


Tous droits strictement réservés. Reproduction ou communication o des tiers interdite sous quelque forme que ce soit sans autorisation écrite du propriétaire. Propriété de c FCI. Droits de reproduction FCI.

All rights strictly reserved. Reproduction or issue to third parties in any form whatever is not permitted without written authority from the proprietor. Property of FCI. Copyright FCI.



PRODUCT NO.	POWER														E1
	E2	P11	P10	P9	P8	P7	P6	P5	P4	P3	P2	P1			
51753-003-- NOTE ③		PA	PA	X	PA	PA	X	PA	PA	X	PA	PA			



CODE	DIM "M" MATING LENGTH	CONTACT TYPE
PA	.042 [1.07]	POWER
HA	N/A [N/A]	HOLD-DOWN
X	OMITTED	OMITTED

mat'l code				SEE NOTE 2		tolerances unless otherwise specified		CUSTOMER		 www.fciconnect.com	
lfr	ecn no.	dr	date	linear	.XX±.01/0.X±0.3	projection		COPY		title	
A	DG06-0086	RYAN	03/03/06	angles	.XXX±.005/0.XX±0.13			INCH/MM		IIP	
				dr	.XXX±.002/0.XXX±0.051	scale		1:1		VERTICAL SOLDER RECEIPT	
				engr	0°±2°	R		product family		PwrBlade	
				chr		A		size		213	
				appd		A		dwg no		51753-003	
sheet index	revision sheet	A	A	A	A	A		code		1 of 4	
		1	2	3	4						

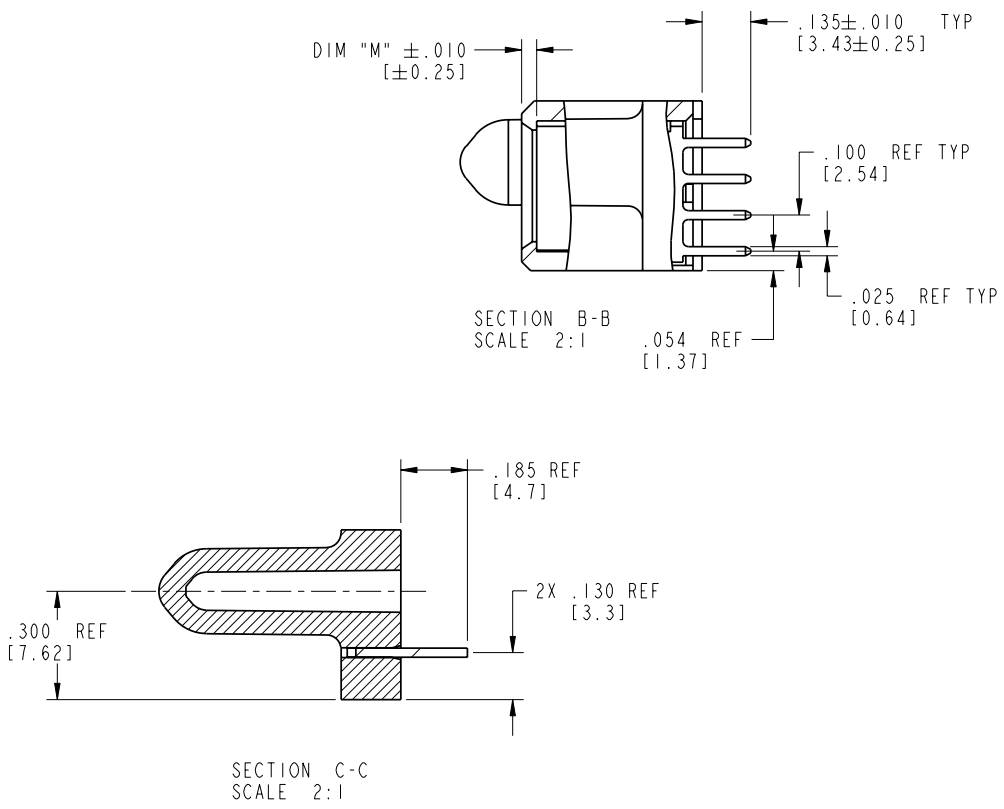
cage code 22526

Pro/E

Tous droits strictement reserves. Reproduction ou communication a des tiers interdite sous quelque forme que ce soit sans autorisation écrite du propriétaire. Propriete de c FCI. Droits de reproduction FCI.

All rights strictly reserved. Reproduction or issue to third parties in any form whatever is not permitted without written authority from the proprietor. Property of FCI. Copyright FCI.

PRODUCT NUMBER
51753-003--
NOTE ③



mat'l code		SEE NOTE 2		tolerances unless otherwise specified		CUSTOMER		 www.fciconnect.com	
lfr	ecn no.	dr	date	linear	.XX±.01/0.X±0.3	projection	 title IIP VERTICAL SOLDER RECEIPT		
A				angles	.XXX±.005/0.XX±0.13	INCH/MM	product family	PwrBlade	code
				dr	.XXX±.002/0.XXX±0.051	scale	size	dwg no	sheet
				enr	0°±2°	1:1	A	51753-003	2 of 4
				chr	RYAN YUAN 03/03/06				
				appd	SALLY LUO 03/03/06				
					BEER FU 03/03/06				
					JOSEPH HSIA 03/03/06				
sheet index	revision sheet								

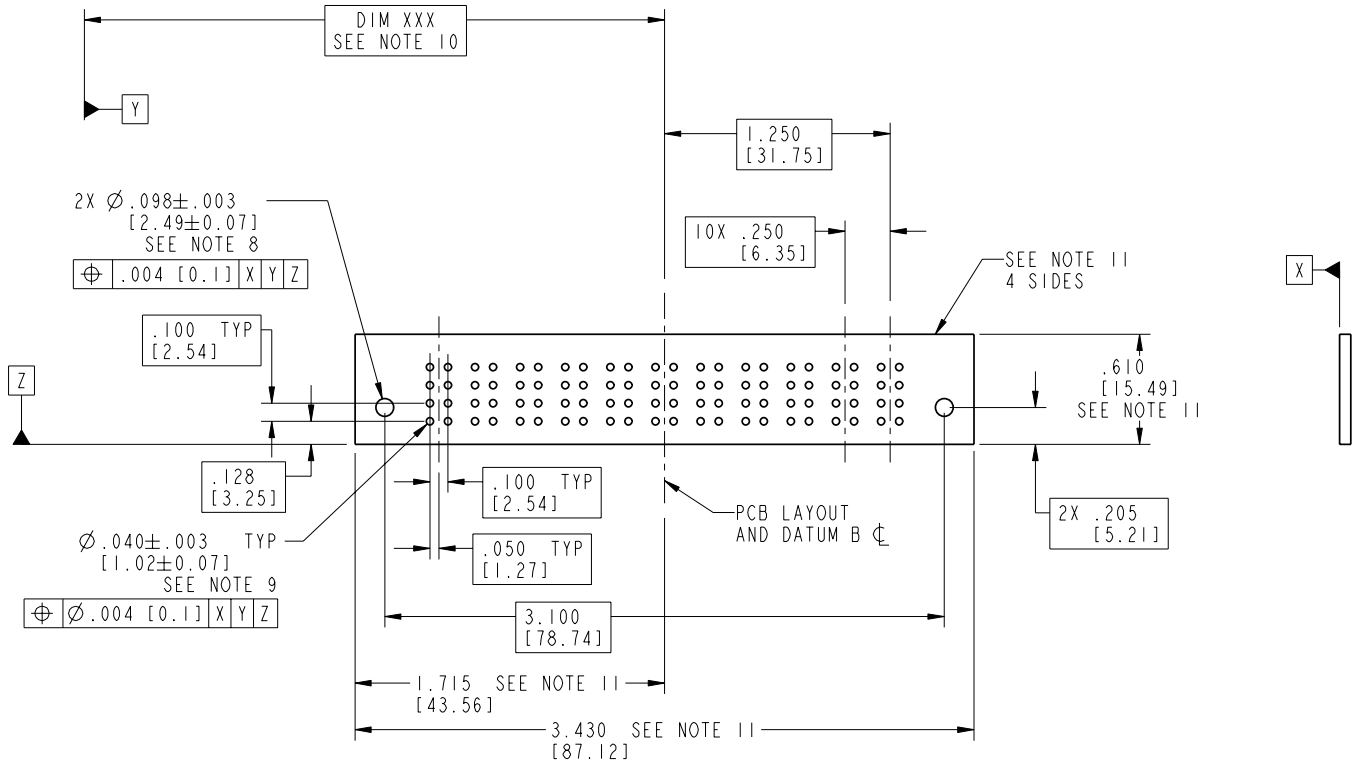
cage code 22526

Pro/E

Tous droits strictement reserves. Reproduction ou communication a des tiers interdite sous quelque forme que ce soit sans autorisation écrite du propriétaire. Propriete de c FCI. Droits de reproduction FCI.

All rights strictly reserved. Reproduction or issue to third parties in any form without written authority from the proprietor. Property of FCI. Copyright FCI.

PRODUCT NUMBER
51753-003--
NOTE ③



mat'l code SEE NOTE 2				tolerances unless otherwise specified		CUSTOMER		FCI www.fciconnect.com	
lfr	ecn no.	dr	date	linear	.XX±.01/0.X±0.3	COPY		projection	title
A					.XXX±.005/0.XX±0.13				IIP
				angles	.XXX±.002/0.XXX±0.051				VERTICAL SOLDER RECEIPT
				dr	0°±2°				product family
				enrg	RYAN YUAN 03/03/06	INCH/MM			PwrBlade
				chr	SALLY LUO 03/03/06	scale		size	code
				appd	BEER FU 03/03/06	1:1		51753-003	213
					JOSEPH HSIA 03/03/06			A	sheet
sheet index	revision sheet								3 of 4

cage code 22526

PRODUCT NUMBER
 51753-003--
 NOTE ③

NOTES:

1. DIMENSIONS AND TOLERANCES ARE IN ACCORDANCE WITH ASME Y14.5M, 1994 UNLESS OTHERWISE SPECIFIED.

CONNECTOR NOTES:

② HOUSING MATERIAL: UL 94 V-0 GLASS FILLED HIGH-TEMP THERMOPLASTIC
 POWER CONTACT MATERIAL: COPPER ALLOY
 SIGNAL PIN MATERIAL: COPPER ALLOY

③ PLATING:
 SEE PRINT 10064183 FOR PLATING SPEC OF 51753-003; 51753-003LF

④ MANUFACTURER'S NAME, P/N, AND DATE CODE TO APPEAR ON THIS SURFACE.

5. PRODUCT SPECIFICATION GS-12-149.
 APPLICATION SPECIFICATION BUS-20-067.

6. PACKAGED IN TRAYS.

PCB NOTES:

7. ALL HOLE DIAMETERS ARE FINISHED HOLE SIZE.

⑧ MOUNTING HOLES, WHERE APPLICABLE, ARE UNPLATED.

⑨ $\varnothing .0453 \pm .0010$ [1.151 \pm 0.025] DRILLED HOLES PLATED WITH
 .0003 [0.008] MIN SnPb OVER .001 [0.03]
 TO .003 [0.08] Cu PLATING TO ACHIEVE
 $\varnothing .040 \pm .003$ [1.02 \pm .07] HOLE.

⑩ "DIM XXX" TO BE DETERMINED BY THE CUSTOMER.

⑪ CONNECTOR KEEP-OUT ZONE.

Tous droits strictement reserves. Reproduction ou communication a des tiers interdite
 sous quelque forme que ce soit sans autorisation ecrite du proprietaire.
 Propriete de c FCI. Droits de reproduction FCI.

A

A



All rights strictly reserved. Reproduction or issue to third parties in any
 form whatever is not permitted without written authority from the proprietor.
 Property of FCI. Copyright FCI.

B

B

mat'l code				SEE NOTE 2		tolerances unless otherwise specified		CUSTOMER		A FCI		www.fciconnect.com	
lfr	ecr no.	dr	date	linear	.XX±.01/0.X±0.3	COPY		projection	title				
A					.XXX±.005/0.XX±0.13				IIP				
				angles	.XXX±.002/0.XXX±0.051				VERTICAL SOLDER RECEPT				
				dr	0°±2°	RYAN YUAN 03/03/06		INCH/MM	product family	PwrBlade	code	213	
				enrg		SALLY LUO 03/03/06		scale	size	dwg no	sheet	4 of 4	
				chr		BEER FU 03/03/06		1:1	A	51753-003			
				appd		JOSEPH HSIA 03/03/06							
sheet index		revision sheet											