

10 9 8 7 6 5 4 3 2 1

F

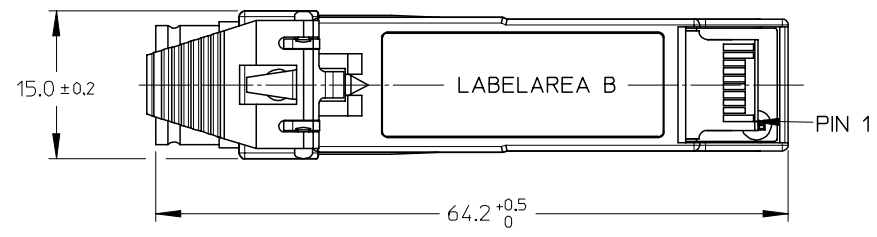
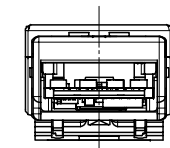
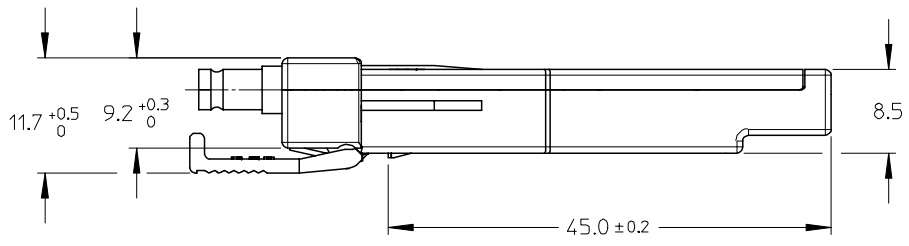
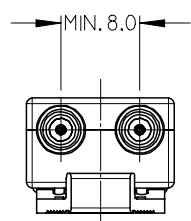
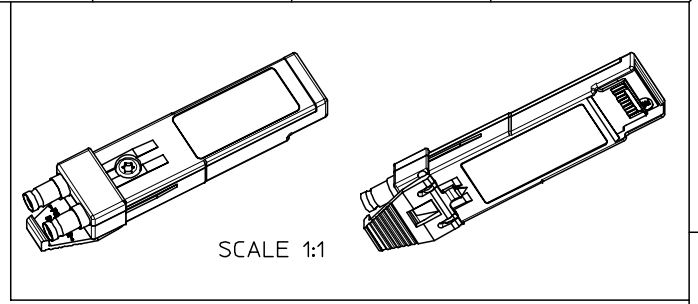
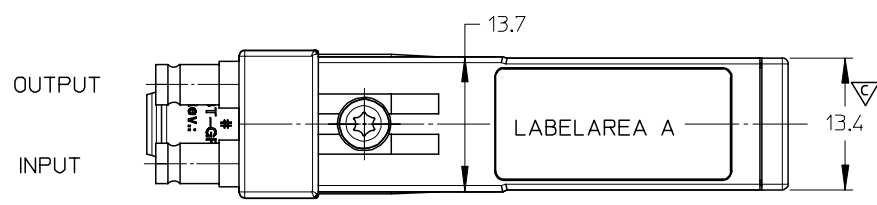
E

D

C

B

A



MODULE REVISION: R 03

NOTES:

- 1- MATERIAL:
HOUSING: ZINC DIECAST,
PLATING: NICKEL
LATCH: PBT, BLACK
- 2- FOR MORE DETAILS REFER TO PS-85388-001 AND SFP MSA
- 3- LABEL TEXT:
LABEL AREA A: SFP-COAX STM1e
ADAPTER MODULE
P/N: 85388-0100
SERIAL: MOLXDE0105030001
- 4- LABEL AREA B: OPTIONAL
- 5- PACKAGING: REFER TO SHEET 3
- 6- MATERIAL COMPLIANT TO ROHS DIRECTIVE 2002/95/EC

EC NO: MG2007-0018 DRAWN: EROEZDE 2006/07/25 CHKD: RSILLER 2006/07/25 APPR: TREMHOF 2006/08/02	REV DESCRIPTION 4	QUALITY SYMBOLS ▽=0 ▽=1	GENERAL TOLERANCES (UNLESS SPECIFIED)		DIMENSION STYLE MM ONLY		SCALE 2:1	DESIGN UNITS METRIC	THIRD ANGLE PROJECTION																				
				<table border="1"> <thead> <tr> <th></th> <th>mm</th> <th>INCH</th> </tr> </thead> <tbody> <tr> <td>4 PLACES</td> <td>± ---</td> <td>± ---</td> </tr> <tr> <td>3 PLACES</td> <td>± ---</td> <td>± ---</td> </tr> <tr> <td>2 PLACES</td> <td>± 0.05</td> <td>± ---</td> </tr> <tr> <td>1 PLACE</td> <td>± 0.10</td> <td>± ---</td> </tr> <tr> <td colspan="3">ANGULAR ± .5 °</td> </tr> </tbody> </table>			mm	INCH	4 PLACES	± ---	± ---	3 PLACES	± ---	± ---	2 PLACES	± 0.05	± ---	1 PLACE	± 0.10	± ---	ANGULAR ± .5 °			DRAWN BY DATE EROEZDE 2004/07/21		TITLE		SFP-COAX STM1E ADAPTER (GENERIC) ASSEMBLY	
			mm	INCH																									
		4 PLACES	± ---	± ---																									
3 PLACES	± ---	± ---																											
2 PLACES	± 0.05	± ---																											
1 PLACE	± 0.10	± ---																											
ANGULAR ± .5 °																													
		CHECKED BY DATE RSILLER 2004/07/21		MATERIAL NO. 85388-0100		DOCUMENT NO. SD-85388-100																							
		DRAFT WHERE APPLICABLE MUST REMAIN WITHIN DIMENSIONS		APPROVED BY DATE TREMHOFF 2004/07/21		SHEET NO. 1 OF 3																							

9 8 7 6 5 4 3 2 1

EEPROM DEFINITION OF EEPROM FOR SFP-COAX STM1e ADAPTER (GENERIC)

Data Address	Name of Field	Value (HEX)	CHAR	Value (DEC)
00	Identifier	03		3
01	Ext. Identifier	04		4
02	Connector	81		129
03	Transceiver	81		129
04	Transceiver	00		0
05	Transceiver	00		0
06	Transceiver	00		0
07	Transceiver	00		0
08	Transceiver	00		0
09	Transceiver	00		0
10	Transceiver	00		0
11	Encoding	00		0
12	BR, Nominal	02		2
13	Reserved	00		0
14	Length (9 μm) - km	00		0
15	Length (9 μm)	00		0
16	Length (50 μm)	00		0
17	Length (62.5 μm)	00		0
18	Length (Copper)	00		0
19	Reserved	00		0
20	Vendor Name	4D	M	77
21	Vendor Name	4F	0	79
22	Vendor Name	4C	L	76
23	Vendor Name	45	E	69
24	Vendor Name	58	X	88
25	Vendor Name	20	(Space)	32
26	Vendor Name	47	G	71
27	Vendor Name	6D	m	109
28	Vendor Name	62	b	98
29	Vendor Name	48	H	72
30	Vendor Name	20	(Space)	32
31	Vendor Name	20	(Space)	32
32	Vendor Name	20	(Space)	32
33	Vendor Name	20	(Space)	32
34	Vendor Name	20	(Space)	32
35	Vendor Name	20	(Space)	32
36	Reserved	00		0
37	Vendor OUI	00	(MFO)	0
38	Vendor OUI	09	(MFO)	9
39	Vendor OUI	3A	(MFO)	58
40	Vendor PN	38	8	56
41	Vendor PN	35	5	53
42	Vendor PN	33	3	51

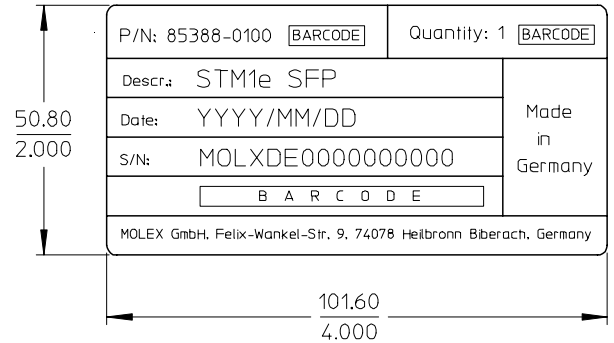
Data Address	Name of Field	Value (HEX)	CHAR	Value (DEC)
43	Vendor PN	38	8	56
44	Vendor PN	38	8	56
45	Vendor PN	2D	-	45
46	Vendor PN	30	0	48
47	Vendor PN	31	1	49
48	Vendor PN	30	0	48
49	Vendor PN	30	0	48
50	Vendor PN	20	(Space)	32
51	Vendor PN	20	(Space)	32
52	Vendor PN	20	(Space)	32
53	Vendor PN	20	(Space)	32
54	Vendor PN	20	(Space)	32
55	Vendor PN	20	(Space)	32
56	Vendor rev	52	R	82
57	Vendor rev	30	0	48
58	Vendor rev	33	3	51
59	Vendor rev	20	(Space)	32
60	Wavelength	00		0
61	Wavelength	00		0
62	Reserved	00		0
63	CC_BASE	A4		2212
64	Options	00		0
65	Options	00		0
66	BR, max	00		0
67	BR, min	00		0
68	Vendor SN	00	M	0
69	Vendor SN	00	0	0
70	Vendor SN	00	L	0
71	Vendor SN	00	X	0
72	Vendor SN	00	D	0
73	Vendor SN	00	E	0
74	Vendor SN	31	1	49
75	Vendor SN	31	1	49
76	Vendor SN	30	0	48
77	Vendor SN	34	4	52
78	Vendor SN	30	0	48
79	Vendor SN	33	3	51
80	Vendor SN	30	0	48
81	Vendor SN	30	0	48
82	Vendor SN	30	0	48
83	Vendor SN	31	1	49
84	Date code	30	0	48
85	Date code	34	4	52

Data Address	Name of Field	Value (HEX)	CHAR	Value (DEC)
86	Date code	31	1	49
87	Date code	31	1	49
88	Date code	31	1	49
89	Date code	38	8	56
90	Date code	54	T	84
91	Date code	52	R	82
92	Diagn. Mon. Type	00		0
93	Enhanced options	00		0
94	SFF - 8472 Compliance	00		0
95	CC-EXT	BF		959
96	Customer Specific	00		0
97	Customer Specific	00		0
98	Customer Specific	00		0
99	Customer Specific	00		0
100	Customer Specific	00		0
101	Customer Specific	00		0
102	Customer Specific	00		0
103	Customer Specific	00		0
104	Customer Specific	00		0
105	Customer Specific	00		0
106	Customer Specific	00		0
107	Customer Specific	00		0
108	Customer Specific	00		0
109	Customer Specific	00		0
110	Customer Specific	00		0
111	Customer Specific	00		0
112	Customer Specific	00		0
113	Customer Specific	00		0
114	Customer Specific	00		0
115	Customer Specific	00		0
116	Customer Specific	00		0
117	Customer Specific	00		0
118	Customer Specific	00		0
119	Customer Specific	00		0
120	Customer Specific	00		0
121	Customer Specific	00		0
122	Customer Specific	00		0
123	Customer Specific	00		0
124	Customer Specific	00		0
125	Customer Specific	00		0
126	Customer Specific	00		0
127	Customer Specific	00		0

NOTES:
 1- VENDOR SN AND DATE CODE (68 - 91)
 VARIES WITH EACH UNIT
 2- CHECKSUM CC-EXT (95) VARIES WITH EACH UNIT

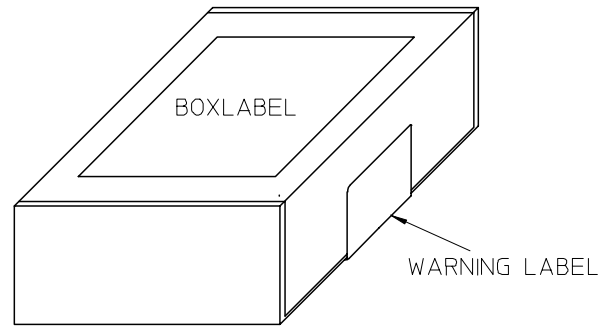
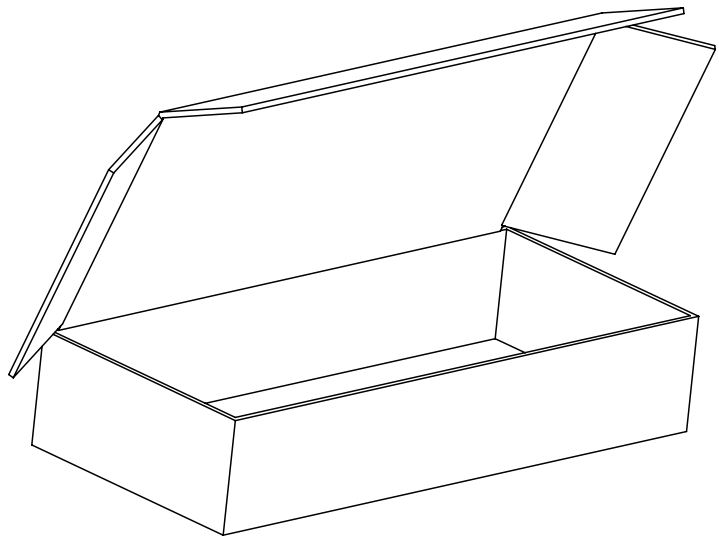
EC NO: MG2007-0018 DRWNEROEZDE 2006/07/25 CHKDRSILLER 2006/07/25 APPR: TREMHOF 2006/08/02	QUALITY SYMBOLS ▽=0 ▽=0	GENERAL TOLERANCES (UNLESS SPECIFIED)		DIMENSION STYLE MM ONLY		SCALE 1:1	DESIGN UNITS METRIC	THIRD ANGLE PROJECTION	
				DRAWN BY DATE EROEZDE 2004/07/21		TITLE SFP-COAX STM1E ADAPTER (GENERIC) ASSEMBLY			
				CHECKED BY DATE RSILLER 2004/07/21		MATERIAL NO. DOCUMENT NO. SHEET NO. SEE SHT. 1 SD-85388-100 2 OF 3			
				APPROVED BY DATE TREMHOF 2004/07/21		DRAFT WHERE APPLICABLE MUST REMAIN WITHIN DIMENSIONS			

BOXLABEL



- BOXLABEL NOTES:
- 1- USE CODE 128 FOR ALL LINEAR BARCODES
 - 2- TEXT COLOR: BLACK
 - 3- FONT: ANY SANS-SERIF FONT (EG. ARIAL)
 - 4- SMALL FONT HEIGHT: 8
 - 5- LARGE FONT HEIGHT: 13

POS NO	DESCRIPTION	PIECES
1	SFP COAX STM1E ADAPTER	1
2	BAG ANTISTATIC 76x127 mm	1
3	WARNING LABEL ESD	2
4	BOXLABEL 101.6x50.8 mm	1
5	FOAM INLET ANTISTATIC (SET), PINK, 114x54x25 mm	1
6	CARTON 114x54x24 mm	1
7	SHIPPING CARTON 176x173x176 mm	1/16



- NOTES:
- 1- PLACE MODUL INTO ANTISTATIC BAG
 - 2- SEAL BAG WITH WARNING LABEL
 - 3- PLACE BAG BETWEEN FOAM INTO BOX
 - 4- SEAL BOX WITH WARNING LABEL
 - 5- PLACE BOX LABEL ON BOX
 - 6- PLACE 16 BOXES INTO SHIPPING CARTON

EC NO: MG2007-0018 DRWNER: EROEZDE 2006/07/25 CHKDR: RSILLER 2006/07/25 APPR: TREMHOF 2006/08/02	QUALITY SYMBOLS	GENERAL TOLERANCES (UNLESS SPECIFIED)	DIMENSION STYLE	SCALE	DESIGN UNITS	THIRD ANGLE PROJECTION
	▽=0 ∇=0	mm INCH 4 PLACES ± --- ± --- 3 PLACES ± --- ± --- 2 PLACES ± 0.05 ± --- 1 PLACE ± 0.10 ± --- ANGULAR ± .5 °	MM ONLY	1:1	METRIC	
	REV	DESCRIPTION	DRAWN BY	DATE	TITLE	
	4		EROEZDE	2004/07/21	SFP-COAX STM1E ADAPTER (GENERIC) ASSEMBLY	
		DRAFT WHERE APPLICABLE MUST REMAIN WITHIN DIMENSIONS	CHECKED BY	DATE	MOLEX INCORPORATED	
			RSILLER	2004/07/21	MATERIAL NO. DOCUMENT NO. SHEET NO.	
			APPROVED BY	DATE	SD-85388-100 3 OF 3	
			TREMHOF	2004/07/21	SEE SHT. 1	
			THIS DRAWING CONTAINS INFORMATION THAT IS PROPRIETARY TO MOLEX INCORPORATED AND SHOULD NOT BE USED WITHOUT WRITTEN PERMISSION			