

PRODUCT NUMBER

6 4 9 9 1 - X X X - X X X X X LF

PLATING
NOTE 12

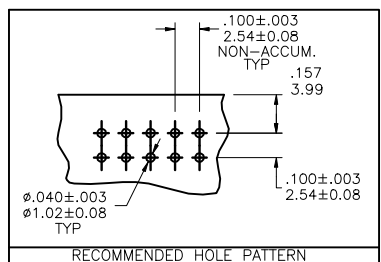
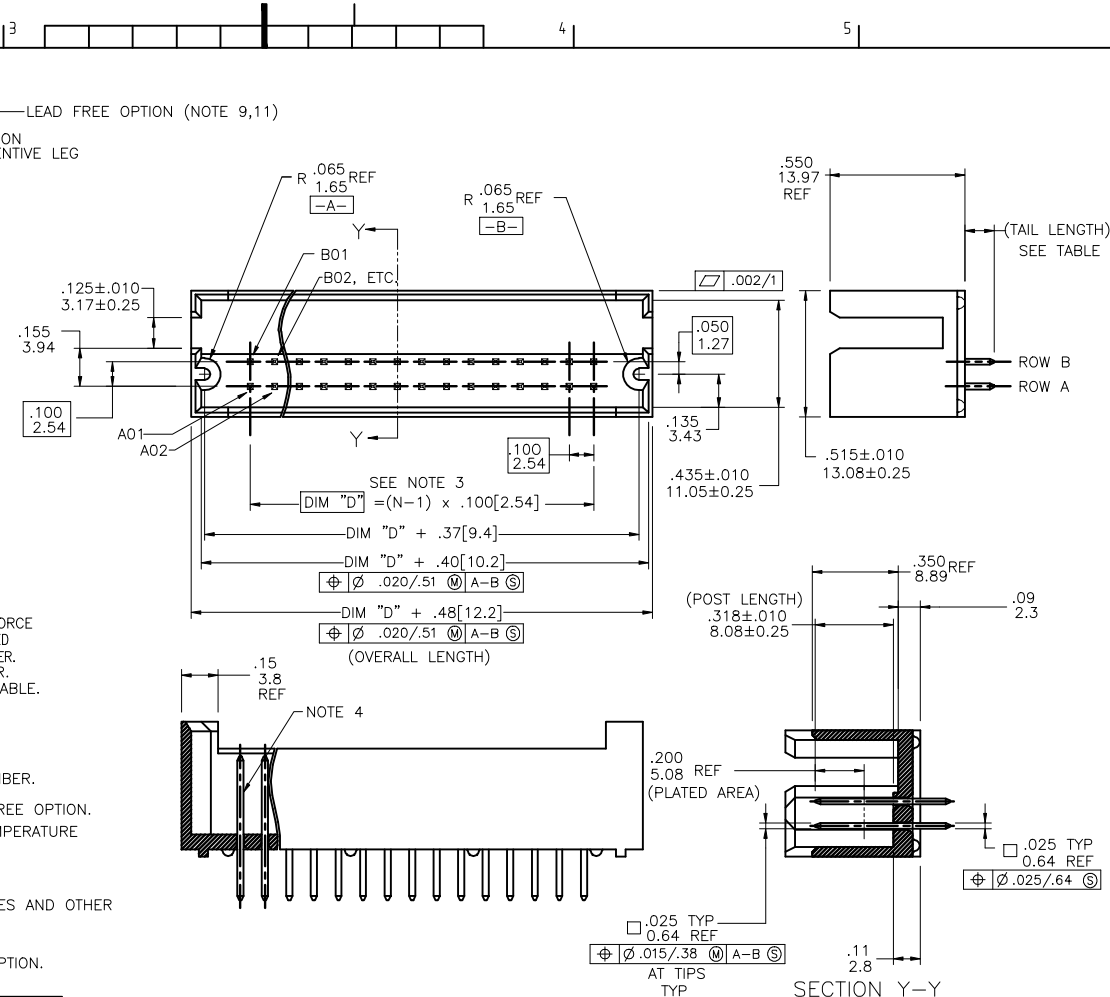
S=15μ" [0.38μm] GOLD/GXT
ON CONTACT AREA
100μ" [2.54μm] PURE TIN
ON TAIL

G=30μ" [0.76μm] GOLD/GXT
ON CONTACT AREA
100μ" [2.54μm] PURE TIN
ON TAIL

STYLE	TAIL LENGTH
3	.090/2.29
4	.120/3.05

POSITIONS PER ROW
05 TO 50

- ① HOUSING MAT'L: HIGH TEMPERATURE THERMOPLASTIC. UL94V-0
COLOR: NATURAL
- ② PIN MATERIAL: PHOSPHOR-BRONZE
- ③ TO DETERMINE DIMENSION
N= NUMBER OF POSITS PER ROW
EXAMPLE: 10 POS., (N-1) X .100/2.54=.900/22.87
- ④ 3LBS./1.36 KG MIN. RETENTION IN EITHER DIRECTION.
- ⑤ PACKAGED IN TRAYS.
- ⑥ RETENTIVE LEG:
5LB/2.3KG MAX INSERTION FORCE AND .25LB./1KG MIN RETENTION FORCE
PER RETENTIVE PIN USING .062/1.57 THICK CIRCUIT BOARD AND RECOMMENDED
HOLE PATTERN. RETENTIVE LOCATION AT THE DISCRETION OF THE MANUFACTURER.
RETENTION IS TWO PINS PER PART ADJACENT TO ONE ANOTHER.
OMIT FROM PRODUCT NUMBER IF THIS FEATURE IS NOT APPLICABLE.
- ⑦ UNDER PLATING 50μ"/1.27μm Ni.
- ⑧ FOR POLARIZATION SPECIFY POSITION NUMBER
(e.i., A03=ROW A POS. 3) TO OMIT PIN
IF FEATURE IS NOT APPLICABLE, REMOVE FROM PRODUCT NUMBER.
- ⑨ ADD "LF" SUFFIX AT THE END OF PART NUMBER FOR LEAD FREE OPTION.
- ⑩ THE HOUSING WILL WITHSTAND EXPOSURE TO 260°C PEAK TEMPERATURE
FOR 15 SECONDS IN A WAVE SOLDER APPLICATION WITH A 1.5mm
MINIMUM THICK CIRCUIT BOARD. SEE APPLICATION NOTES/PROCEDURES
IF THEY ARE AVAILABLE.
- ⑪ IF "LF" P/N THE PRODUCT MEETS EUROPEAN UNION DIRECTIVES AND OTHER
COUNTRY REGULATION AS DESCRIBED IN GS-22-008.
- ⑫ PLATING OPTIONS:
MAY BE EITHER GOLD OR GXT PLATED AT MANUFACTURER'S OPTION.



mat'l. code NOTES 1 & 2		surface ISO 1302 ✓	tolerance ISO 406 ISO 1101	projection INCH/MM	product family HEADER
lir	ecn no	dr	dale	tolerances unless otherwise specified	title
A	V92814	DAI	8/24/99	XX±.01/XX±0.3	.100/2.54cc GUIDE PIN (SLOTTED)
B	V11526	DAI	5/21/01	.XX±.005/XX±0.13	SHROUDED VERTICAL HEADER
C	V212895	TAB	1/09/03	0°±2'	scale 1:1
D	M05-0089	MHT	5/20/05	dr	D. INGRAM 6/02/99
E	M07-0116	AGS	2/19/07	engr	H. SUNDY 7/21/99
F	M09-0059	MHT	4/16/09	chr	H. SUNDY 7/21/99
G	M09-0154	MHT	9/10/09	appd	H. SUNDY 7/21/99
sheet	revision	G			
index	sheet	1			

Copyright FCJ
FCconnect.com

PRODUCT NUMBER
 6 4 9 9 2 - X X X X - X X X X X L F

LEAD FREE OPTION
 NOTE 9,11

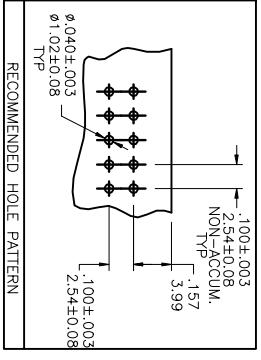
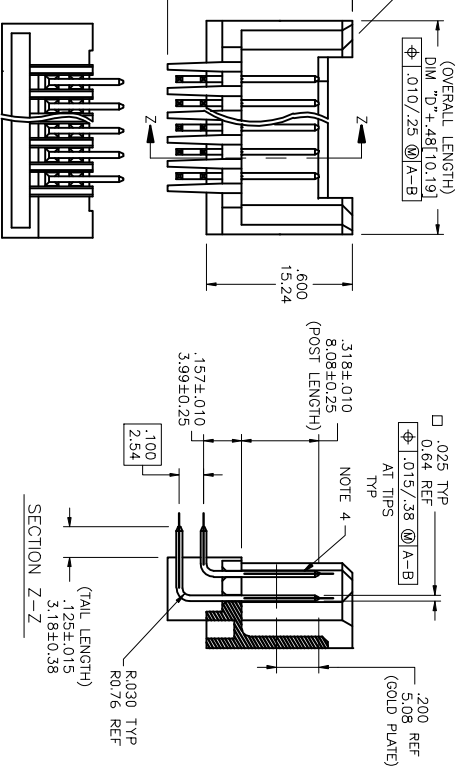
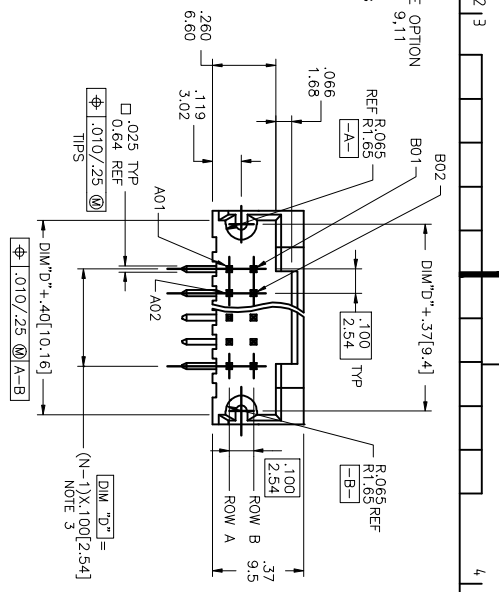
RETENTION LEG
 NOTE 6

POLARIZATION
 NOTE 8

TAIL LENGTH
 5 = .125/3.18

POSITIONS PER ROW
 13 POS.

PLATING
 NOTE 12
 S = 15u"10.39um[GOLD]/GXT
 ON CONTACT AREA
 100u"12.54um[PURE TIN
 ON TAIL
 G = 30u"10.76um[GOLD]/GXT
 ON CONTACT AREA
 100u"12.54um[PURE TIN
 ON TAIL



- NOTES:
- HOUSING MAT'L: HIGH TEMPERATURE THERMOPLASTIC. UL94V-0
 - COLOR: BLACK
 - PIN MATERIAL: PHOSPHOR-BRONZE
 - TO DETERMINE DIMENSIONS:
 N = NUMBER OF POSITIONS PER ROW.
 EXAMPLE: 13 POS., (N-1)X.100/2.54=1.200/30.48
 3LBS./1.36 KG MIN. RETENTION IN EITHER DIRECTION.
 - PACKAGED IN TRAYS.
 - RETENTION LEG:
 5LB/2.3KG MAX. INSERTION FORCE AND .25LB/.1KG MIN. RETENTION FORCE PER RETENING PIN USING .062/.157 THICK CIRCUIT BOARD AND RECOMMENDED HOLE PATTERN. RETENTIVE LOCATION AT THE DISCRETION OF THE MANUFACTURER. RETENTION IS TWO PINS PER PART ADJACENT TO ONE ANOTHER. IF FEATURE IS NOT APPLICABLE, REMOVE FROM PRODUCT NUMBER.
 - UNDER PLATING: .050u"/1.2um NI.
 - FOR POLARIZATION SPECIFY POSITION NUMBER (i.e., A03=ROW A POS. 3) TO OMIT PIN. IF FEATURE IS NOT APPLICABLE, REMOVE FROM PRODUCT NUMBER.
 - ADD "LF" SUFFIX AT THE END OF PART NUMBER FOR LEAD FREE OPTION.
 - THE HOUSING WILL WITHSTAND EXPOSURE TO 260°C PEAK TEMPERATURE FOR 15 SECONDS IN A WAVE SOLDER APPLICATION WITH A 1.5mm MINIMUM THICK CIRCUIT BOARD. SEE APPLICATION NOTES/PROCEDURES IF THEY ARE AVAILABLE.
 - THIS PRODUCT MEETS EUROPEAN UNION DIRECTIVES AND OTHER COUNTRY REGULATION AS DESCRIBED IN GS-22-008.
 - PLATING OPTIONS:
 MAY BE EITHER GOLD OR GXT PLATED AT MANUFACTURER'S OPTION.

1	2	3	4	5	6
---	---	---	---	---	---

mat'l. code	part no.	date	surface	tolerance	projection	product family	header
C	405-0224	MHT 10/26/09	ISO 1902	ISO 406	ISO 1701	100/2.54mm	GUIDE PIN
D	407-0116	AGS 12/19/07	ISO 1902	ISO 406	ISO 1701	SHROUDED	R/A HEADER
E	407-0248	MHT 5/30/07	ISO 1902	ISO 406	ISO 1701	100/2.54mm	GUIDE PIN
F	409-0099	MHT 4/16/09	ISO 1902	ISO 406	ISO 1701	100/2.54mm	GUIDE PIN
G	409-0099	MHT 7/06/09	ISO 1902	ISO 406	ISO 1701	100/2.54mm	GUIDE PIN
H	409-0136	MHT 9/03/09	ISO 1902	ISO 406	ISO 1701	100/2.54mm	GUIDE PIN
J	409-0154	MHT 9/10/09	ISO 1902	ISO 406	ISO 1701	100/2.54mm	GUIDE PIN



FCI
 100/2.54mm GUIDE PIN
 SHROUDED R/A HEADER
 DWG NO 64992
 sheet 1 of 1
 size A3
 Product Customer Drawing