

Series LECP6

Series LECA6

Options: Actuator Cable

[Robotic cable for step motor (Servo/24 VDC), standard cable]

LE-CP-1-

Cable length (L)[m]

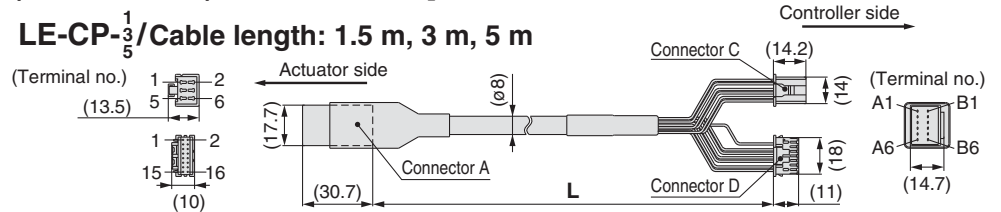
1	1.5
3	3
5	5
8	8*
A	10*
B	15*
C	20*

* Produced upon receipt of order
(Robotic cable only)

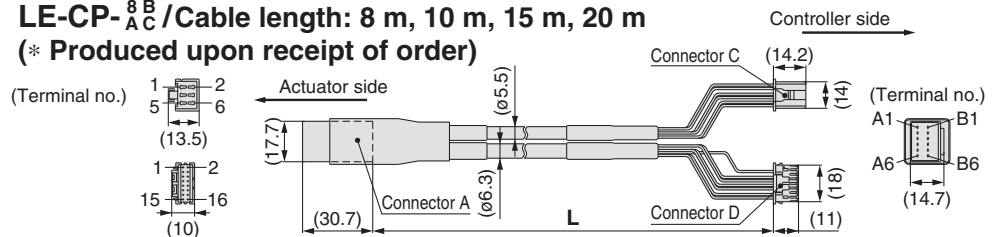
Cable type

-	Robotic cable (Flexible cable)
S	Standard cable

LE-CP-¹/₅ / Cable length: 1.5 m, 3 m, 5 m



LE-CP-^{8B}/_{AC} / Cable length: 8 m, 10 m, 15 m, 20 m
(* Produced upon receipt of order)



Circuit	Connector A terminal no.	Cable colour	Connector C terminal no.
A	B-1	Brown	2
A	A-1	Red	1
B	B-2	Orange	6
B	A-2	Yellow	5
COM-A/COM	B-3	Green	3
COM-B/-	A-3	Blue	4
Shield			
Circuit	Connector A terminal no.	Cable colour	Connector D terminal no.
Vcc	B-4	Brown	12
GND	A-4	Black	13
A	B-5	Red	7
A	A-5	Black	6
B	B-6	Orange	9
B	A-6	Black	8
		-	3

[Robotic cable with lock and sensor for step motor (Servo/24 VDC), standard cable]

LE-CP-1-B-

Cable length (L)[m]

1	1.5
3	3
5	5
8	8*
A	10*
B	15*
C	20*

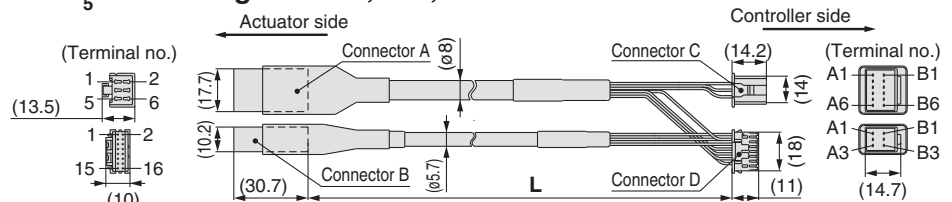
* Produced upon receipt of order
(Robotic cable only)

With lock and sensor

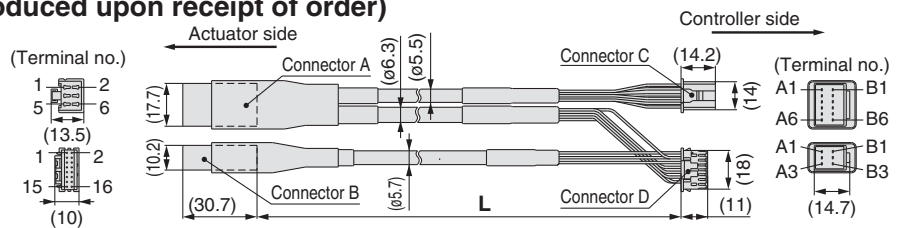
Cable type

-	Robotic cable (Flexible cable)
S	Standard cable

LE-CP-¹/₅ / Cable length: 1.5 m, 3 m, 5 m



LE-CP-^{8B}/_{AC} / Cable length: 8 m, 10 m, 15 m, 20 m
(* Produced upon receipt of order)



Circuit	Connector A terminal no.	Cable colour	Connector C terminal no.
A	B-1	Brown	2
A	A-1	Red	1
B	B-2	Orange	6
B	A-2	Yellow	5
COM-A/COM	B-3	Green	3
COM-B/-	A-3	Blue	4
Shield			
Circuit	Connector A terminal no.	Cable colour	Connector D terminal no.
Vcc	B-4	Brown	12
GND	A-4	Black	13
A	B-5	Red	7
A	A-5	Black	6
B	B-6	Orange	9
B	A-6	Black	8
		-	3
Circuit	Connector B terminal no.	Cable colour	Connector C terminal no.
Lock (+)	B-1	Red	4
Lock (-)	A-1	Black	5
Sensor (+) Note	B-3	Brown	1
Sensor (-) Note	A-3	Blue	2

Note) This is not used for the LES series.

[Robotic cable for servo motor (24 VDC)]

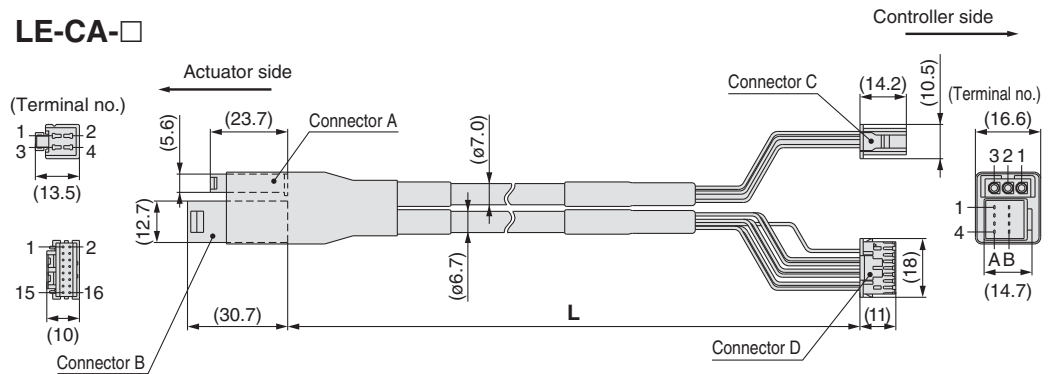
LE-CA-1

Cable length (L)[m]

1	1.5
3	3
5	5
8	8*
A	10*
B	15*
C	20*

* Produced upon receipt of order

LE-CA-□



Circuit	Connector A terminal no.	Cable colour	Connector C terminal no.
U	1	Red	1
V	2	White	2
W	3	Black	3

Circuit	Connector B terminal no.	Cable colour	Connector D terminal no.
Vcc	B-1	Brown	12
GND	A-1	Black	13
A	B-2	Red	7
A	A-2	Black	6
B	B-3	Orange	9
B	A-3	Black	8
Z	B-4	Yellow	11
Z	A-4	Black	10
		—	3

Connection of shield material

[Robotic cable with lock and sensor for servo motor (24 VDC)]

LE-CA-1-B

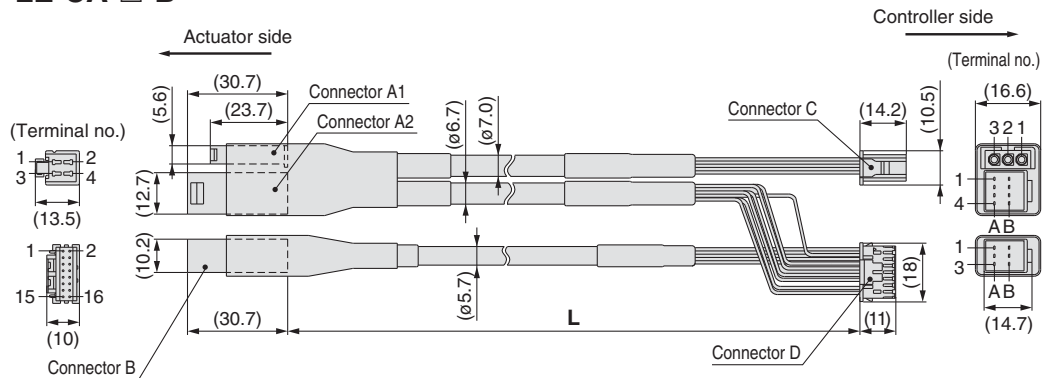
Cable length (L)[m]

1	1.5
3	3
5	5
8	8*
A	10*
B	15*
C	20*

* Produced upon receipt of order

With lock and sensor

LE-CA-□-B



Circuit	Connector A1 terminal no.	Cable colour	Connector C terminal no.
U	1	Red	1
V	2	White	2
W	3	Black	3

Circuit	Connector A2 terminal no.	Cable colour	Connector D terminal no.
Vcc	B-1	Brown	12
GND	A-1	Black	13
A	B-2	Red	7
A	A-2	Black	6
B	B-3	Orange	9
B	A-3	Black	8
Z	B-4	Yellow	11
Z	A-4	Black	10
		—	3

Circuit	Connector B terminal no.	Cable colour	Terminal no.
Lock (+)	B-1	Red	4
Lock (-)	A-1	Black	5
Sensor (+) ^{Note}	B-3	Brown	1
Sensor (-) ^{Note}	A-3	Black	2

Note) This is not used for the LES series.

Servo Motor (24 VDC)/Step Motor (Servo/24 VDC)

LES

LECA6 / LECP6

LECP1

Specific Product Precautions

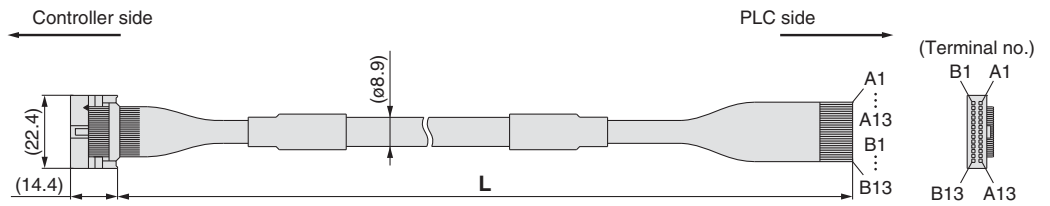
Series LECP6

Series LECA6

Option: I/O Cable

LEC – CN5 – 1

Cable length (L) [m]	
1	1.5
3	3
5	5



* Conductor size: AWG28

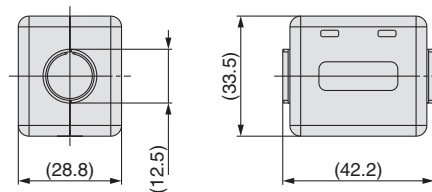
Connector pin No.	Insulation colour	Dot mark	Dot colour
A1	Light brown	■	Black
A2	Light brown	■	Red
A3	Yellow	■	Black
A4	Yellow	■	Red
A5	Light green	■	Black
A6	Light green	■	Red
A7	Grey	■	Black
A8	Grey	■	Red
A9	White	■	Black
A10	White	■	Red
A11	Light brown	■ ■	Black
A12	Light brown	■ ■	Red
A13	Yellow	■ ■	Black

Connector pin No.	Insulation colour	Dot mark	Dot colour
B1	Yellow	■ ■	Red
B2	Light green	■ ■	Black
B3	Light green	■ ■	Red
B4	Grey	■ ■	Black
B5	Grey	■ ■	Red
B6	White	■ ■	Black
B7	White	■ ■	Red
B8	Light brown	■ ■ ■	Black
B9	Light brown	■ ■ ■	Red
B10	Yellow	■ ■ ■	Black
B11	Yellow	■ ■ ■	Red
B12	Light green	■ ■ ■	Black
B13	Light green	■ ■ ■	Red
—	Shield		

Option: Noise Filter Set for Servo Motor (24 VDC)

LEC – NFA

Contents of the set: 2 noise filters (Produced by WURTH ELEKTRONIK: 74271222)



* Refer to the LECA6 series Operation Manual for installation.