

9 8 7 6 5 4 3 2 1

E

E

D

D

C

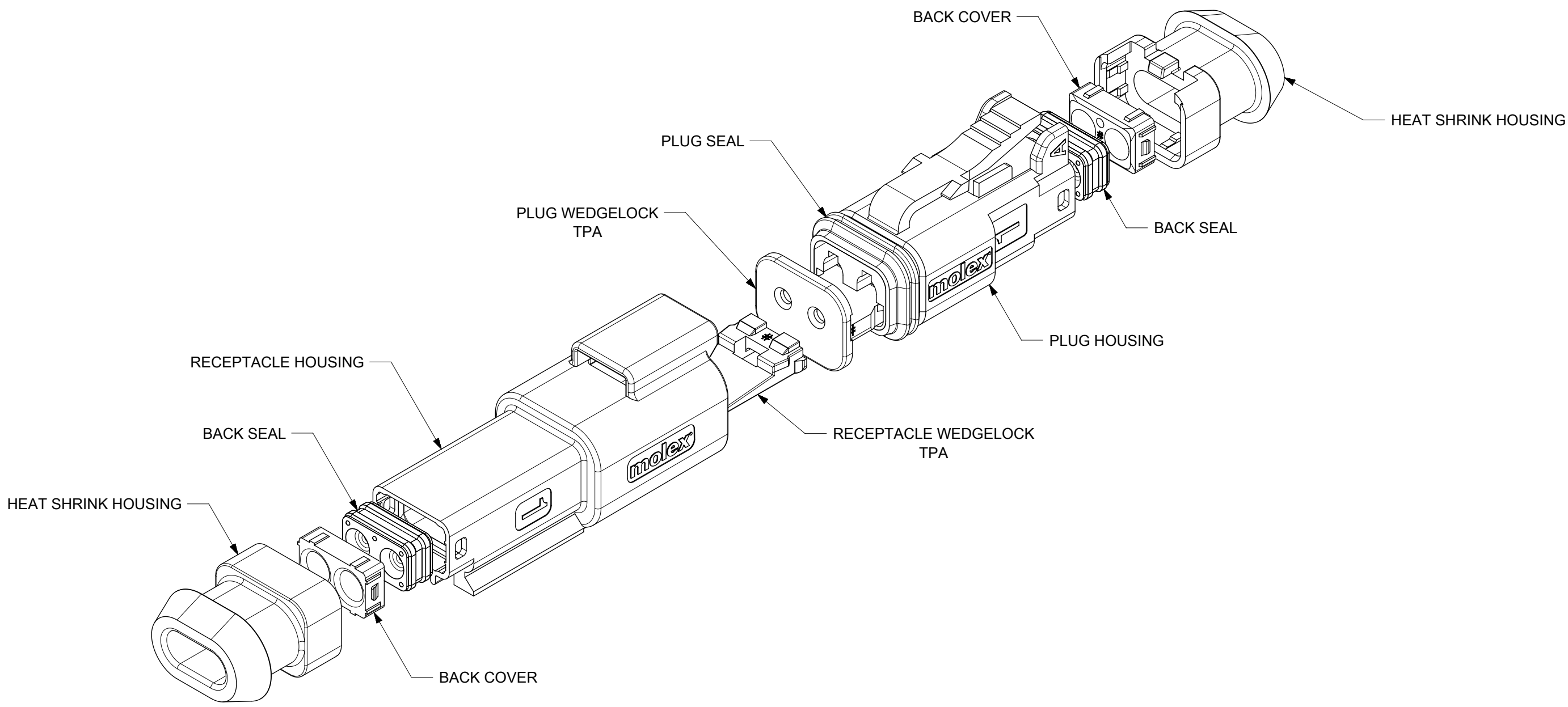
C

B

B

A

A



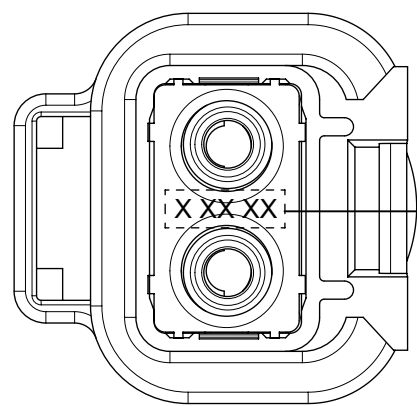
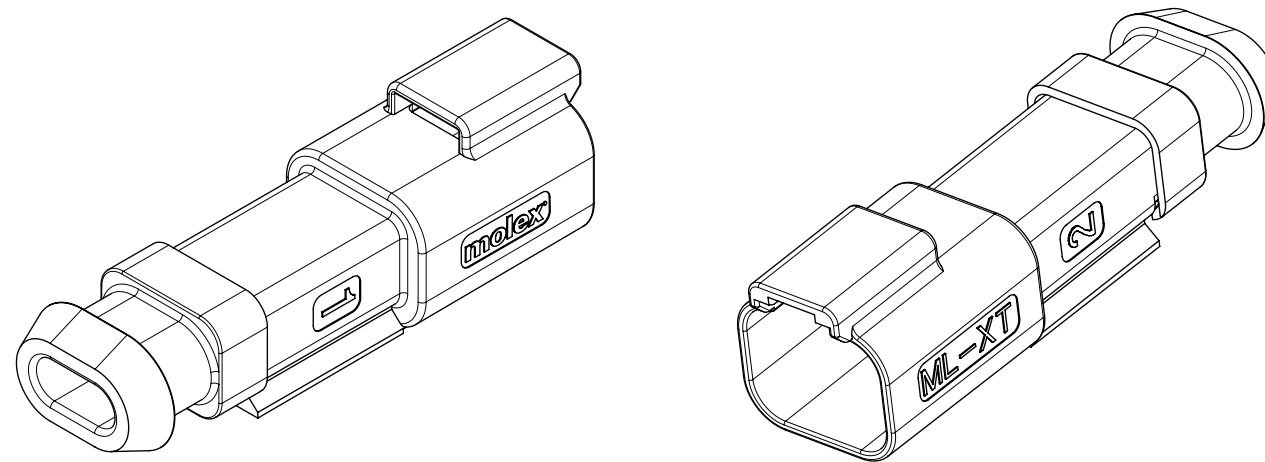
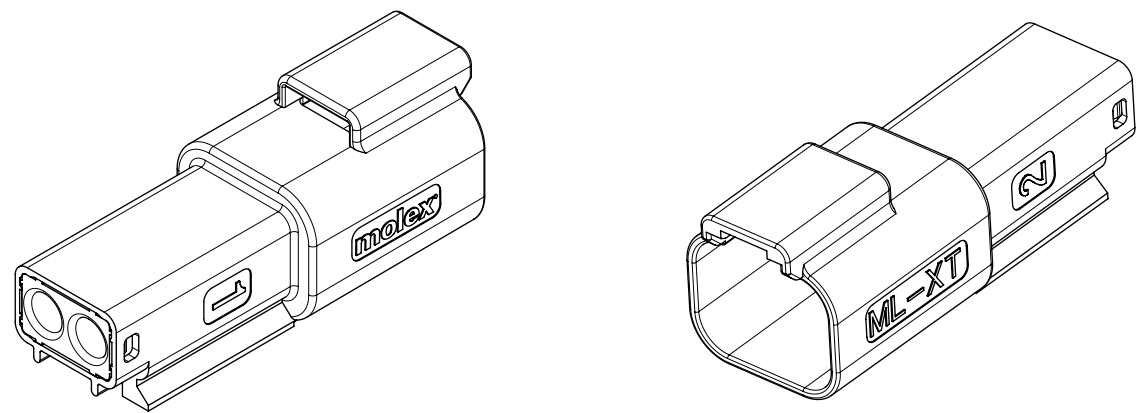
NOTES
 1. SEE SHEETS 2 TO 7 FOR UNSPECIFIED NOTES, DIMENSIONS AND PART NUMBERS

THIS DRAWING CONTAINS INFORMATION THAT IS PROPRIETARY TO MOLEX INCORPORATED AND SHOULD NOT BE USED WITHOUT WRITTEN PERMISSION											
SUPERSEDING SD-93443-0010 EC NO: 110489 DRWN: JFLETCHER CHK'D: FDUGGAN APPR: JDWALLACE	2016/11/16 2016/12/16 2017/01/03	QUALITY SYMBOLS	GENERAL TOLERANCES (UNLESS SPECIFIED)		DIMENSION UNITS	SCALE					
		▽ = 0 ▽ = 0 ▽ = 0 ▼ = 0 ▽ = 0 ☒ = 0 ■ = 0 ▽ = 0	ANGULAR TOL ± 2.0 ° 4 PLACES ± 3 PLACES ± 2 PLACES ± 0.1 1 PLACE ± 0.2 0 PLACES ±	MM	2:1						
		DRWN BY	DATE								
		KREILLY	2015/06/12	2CCT ML-XT CV CONNECTOR							
		CHK'D BY	DATE	PRODUCT CUSTOMER DRAWING							
FDUGGAN	2015/09/14	APPR BY DATE									
JDWALLACE	2015/09/15	DRAFT WHERE APPLICABLE MUST REMAIN WITHIN DIMENSIONS		DRAWING SIZE	THIRD ANGLE PROJECTION	SERIES	MATERIAL NUMBER	CUSTOMER			
A3	REV	A3		A3		93443	SEE NOTES	GENERAL MARKET			
						DOCUMENT NUMBER	DOC TYPE	DOC PART	SHEET NUMBER		
						934430010	PSD	000	1 OF 9		

9 8 7 6 5 4 3 2 1

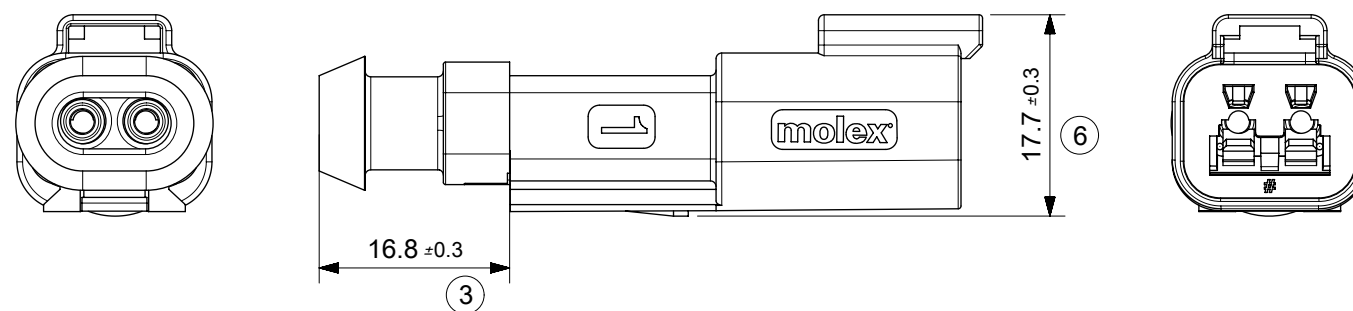
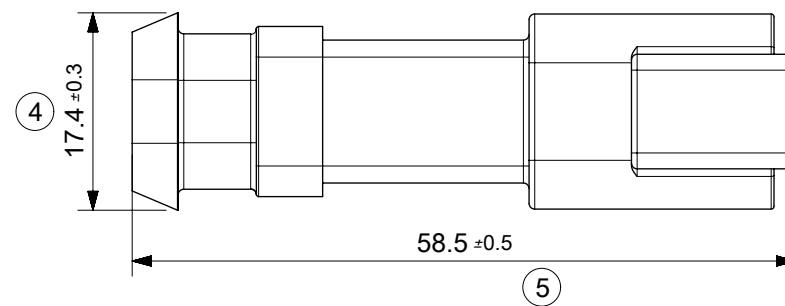
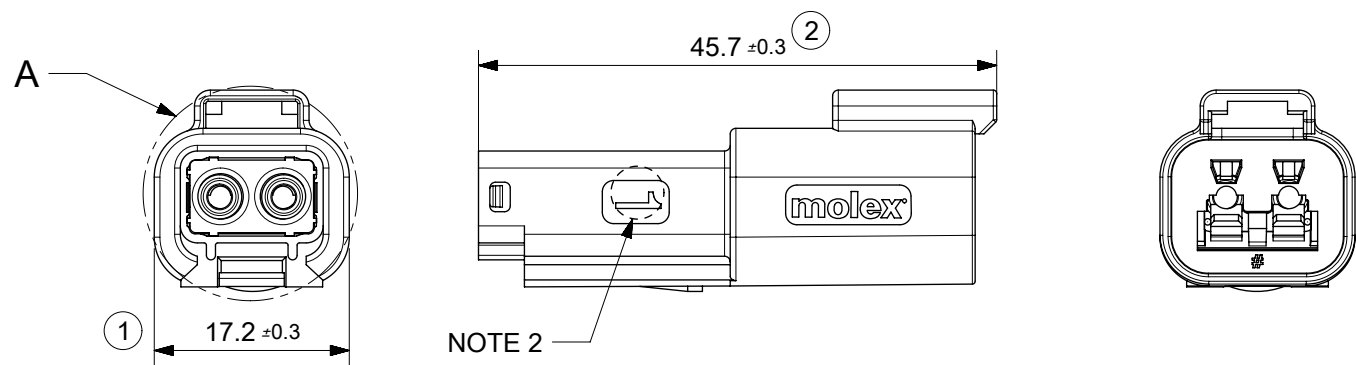
2CCT RECEPTACLE CONNECTOR

2CCT RECEPTACLE CONNECTOR WITH HEATSHRINK HOUSING ULTRASONICALLY WELDED IN PLACE



DATE CODE: X XX XX
 X — DAY: 1- 7
 X — WEEK: 01 - 52
 X — YEAR: 00 - 99
 # — MACHINE NO. 1
 EXAMPLE: 11315 = DAY 1, WEEK 13, YEAR 15
 i.e. 23rd OF MARCH 2015

(ROTATED 90°)
 DETAIL A
 SCALE 3:1

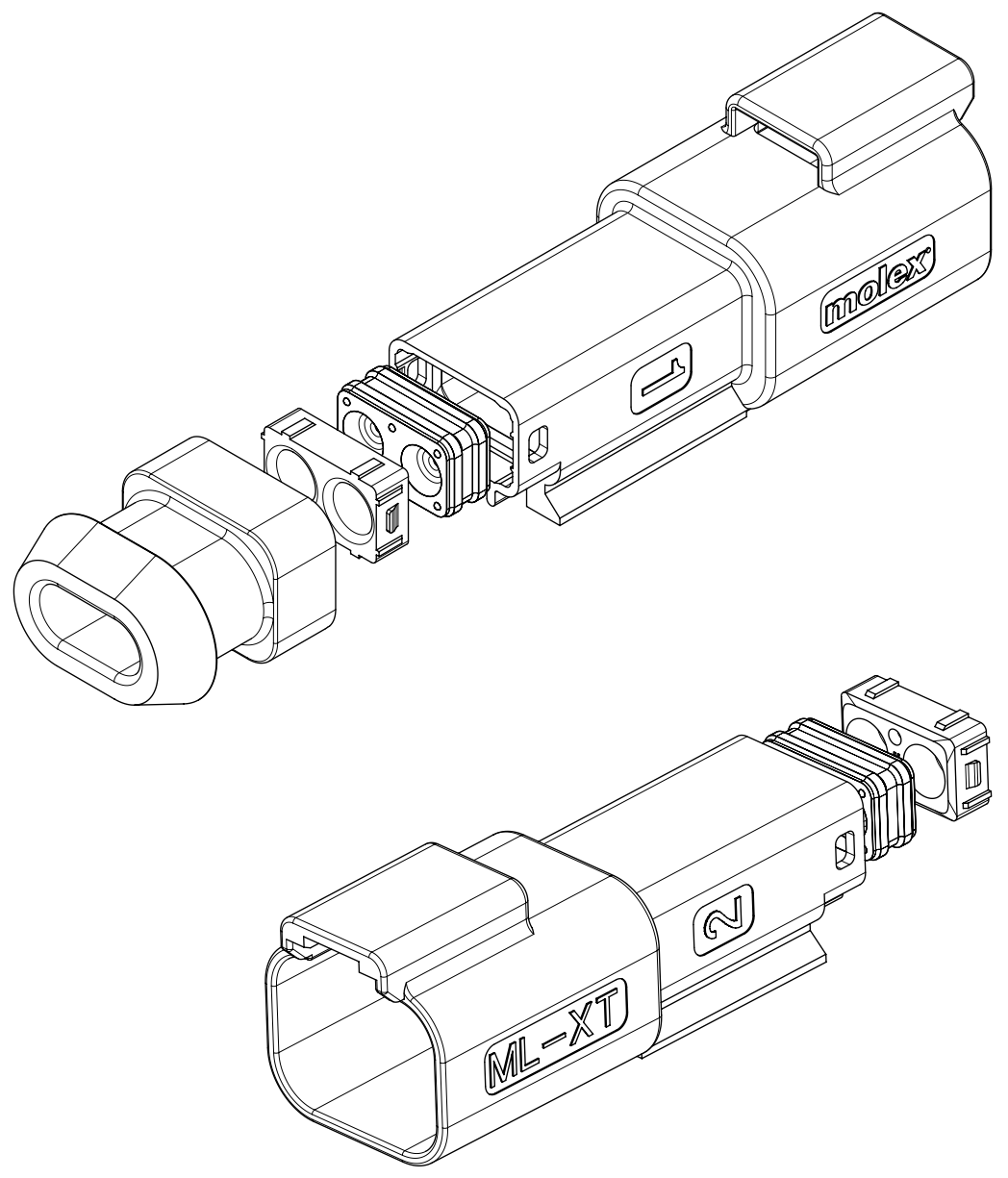
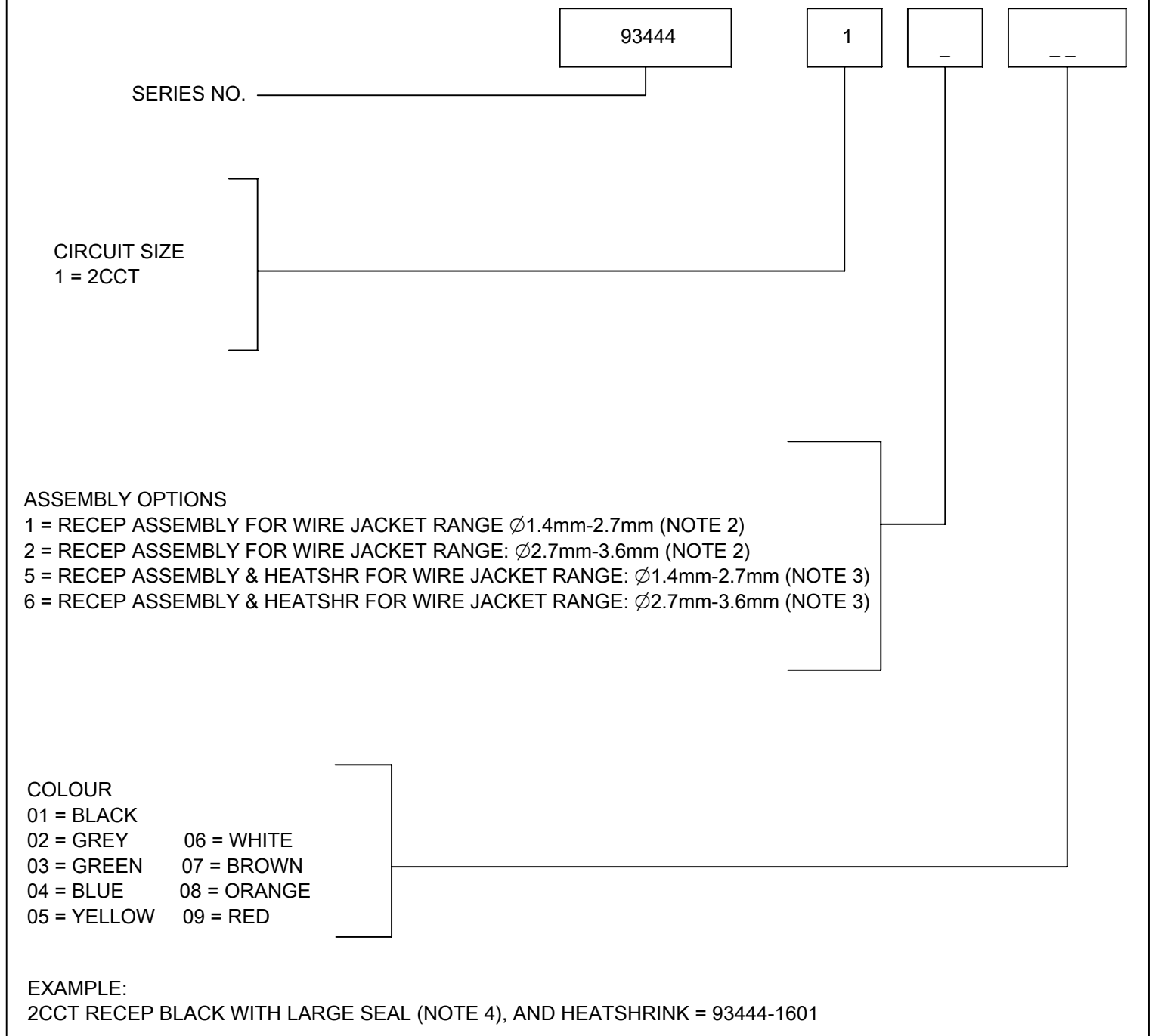


- NOTES:
- MATERIAL
 HOUSING: NYLON 30%GF
 BACK SEAL: HIGH CONSISTENCY RUBBER
 - CIRCUIT IDENTIFICATION
 - JACKET RANGE LARGE = 2.7mm TO 3.6mm (SEAL COLOUR: LIGHT BLUE)
 JACKET RANGE SMALL = 1.4mm TO 2.7mm (SEAL COLOUR: BURNT ORANGE)
 - SEE SHEET 3 FOR FINAL PART NUMBER DESIGNATION
 - SEE 934430010 PS P FOR PRODUCT SPECIFICATION
 - SEE 934430002 PS K OR 934430010 PS K FOR PACKAGING SPECIFICATION
- LAST INSPECTION NUMBER: 6
 INSPECTION NUMBERS 1-50 RESERVED FOR SHEET 2

THIS DRAWING CONTAINS INFORMATION THAT IS PROPRIETARY TO MOLEX INCORPORATED AND SHOULD NOT BE USED WITHOUT WRITTEN PERMISSION

SUPERSEDING SD-93443-0010 EC NO: 110489 DRWN: JFLETCHER CHK'D: FDUGGAN APPR: JDWALLACE	2016/11/16	2016/12/16	2017/01/03	QUALITY SYMBOLS	GENERAL TOLERANCES (UNLESS SPECIFIED) ANGULAR TOL ± 2.0 ° 4 PLACES ± 3 PLACES ± 2 PLACES ± 0.1 1 PLACE ± 0.2 0 PLACES ± DRAFT WHERE APPLICABLE MUST REMAIN WITHIN DIMENSIONS	DIMENSION UNITS	SCALE			
				MM		1.5:1				
				DRWN BY		DATE	2CCT ML-XT CV CONNECTOR			
				KREILLY		2015/06/12				
			CHK'D BY	DATE	PRODUCT CUSTOMER DRAWING					
			FDUGGAN	2015/09/14						
			APPR BY	DATE	SERIES	MATERIAL NUMBER	CUSTOMER	GENERAL MARKET		
			JDWALLACE	2015/09/15	93443	SEE SHEET 3				
			DRAWING SIZE	THIRD ANGLE PROJECTION	DOCUMENT NUMBER		DOC TYPE	DOC PART	SHEET NUMBER	
A3			A3		934430010	PSD	000	2 OF 9		

2CCT RECEPTACLE CONNECTOR



- Notes:
- SEE SHEET 2 FOR UNSPECIFIED NOTES AND DIMENSIONS
 - BACK COVER HOUSING COLOUR: BLACK
 - HEATSHRINK HOUSING COLOUR: BLACK
 - JACKET RANGE LARGE = 2.7mm TO 3.6mm (SEAL COLOUR: LIGHT BLUE)
 JACKET RANGE SMALL = 1.4mm TO 2.7mm (SEAL COLOUR: BURNT ORANGE)

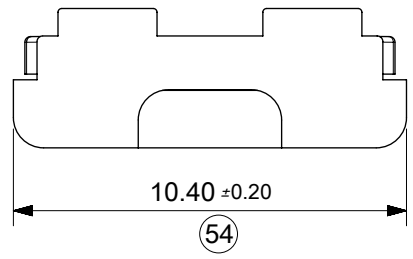
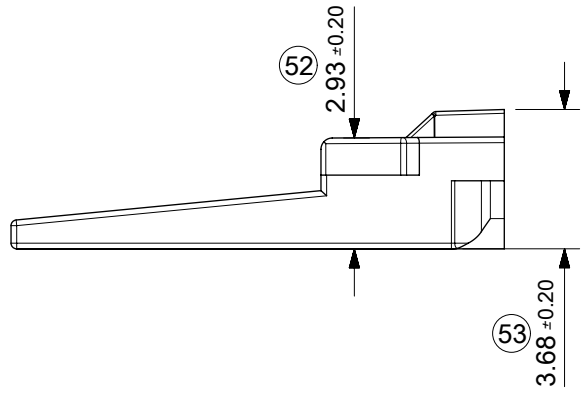
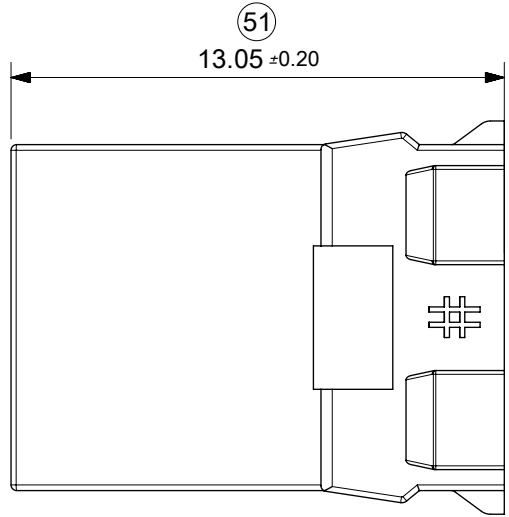
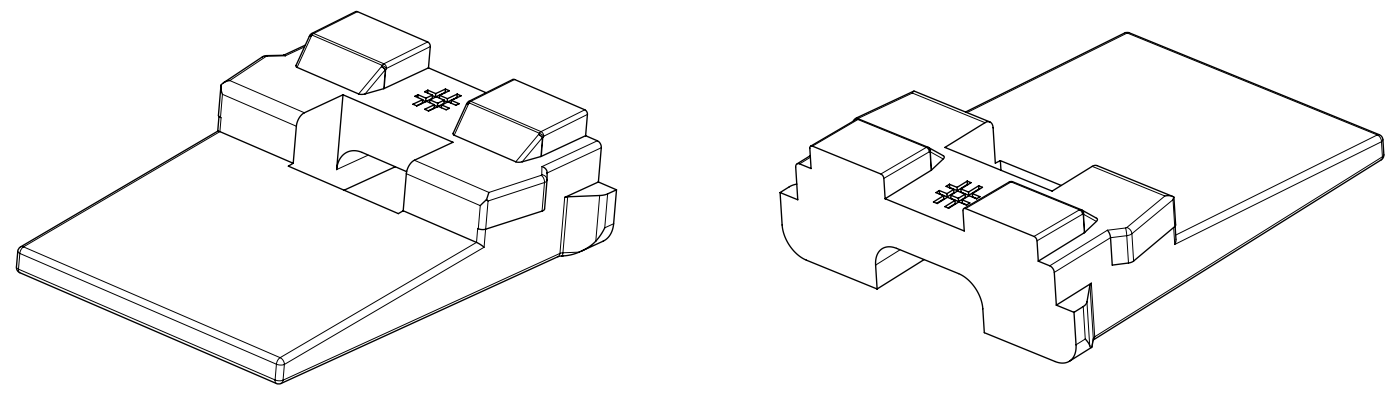
THIS DRAWING CONTAINS INFORMATION THAT IS PROPRIETARY TO MOLEX INCORPORATED AND SHOULD NOT BE USED WITHOUT WRITTEN PERMISSION											
SUPERSEDING SD-93443-0010	EC NO: 110489	DRWN: JFLETCHER	2016/11/16	QUALITY SYMBOLS	GENERAL TOLERANCES (UNLESS SPECIFIED)		DIMENSION UNITS		SCALE		
	CHK'D: FDUGGAN	2016/12/16	2017/01/03	∇ = 0	ANGULAR TOL \pm 2.0 °		MM		2:1		
	APPR: JDWALLACE			∇ = 0	4 PLACES \pm	DRWN BY	DATE		KREILLY 2015/06/12		
				∇ = 0	3 PLACES \pm	CHK'D BY	DATE		FDUGGAN 2015/09/14		
				∇ = 0	2 PLACES \pm 0.1	APPR BY	DATE		JDWALLACE 2015/09/15		
				∇ = 0	1 PLACE \pm 0.2	DRAWING SIZE	THIRD ANGLE PROJECTION		A3		
				∇ = 0	0 PLACES \pm	DRAFT WHERE APPLICABLE MUST REMAIN WITHIN DIMENSIONS					
						SERIES		MATERIAL NUMBER		CUSTOMER	
						93443		SEE CHART		GENERAL MARKET	
						DOCUMENT NUMBER		DOC TYPE	DOC PART	SHEET NUMBER	
						934430010		PSD	000	3 OF 9	



2CCT ML-XT CV CONNECTOR

PRODUCT CUSTOMER DRAWING

9 8 7 6 5 4 3 2 1



2CCT RECEP. WEDGELOCK

SERIES NO. 93447 1 0 --

CIRCUIT SIZE 1 = 2CCT

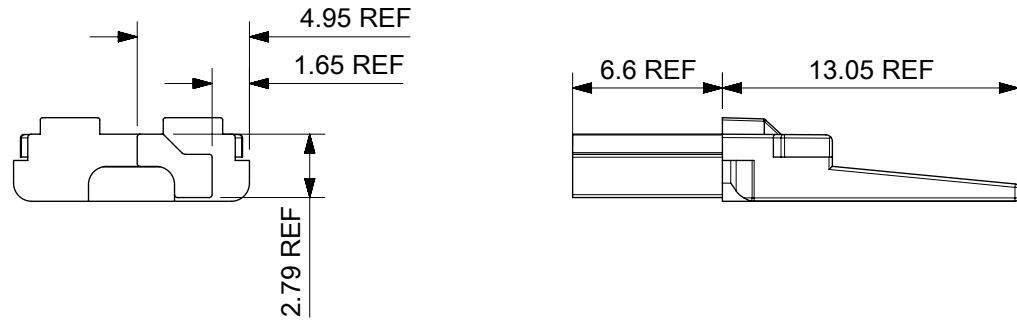
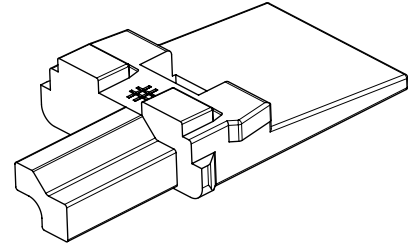
COLOUR/KEYING
 03 = GREEN (NO KEY)
 12 = GREY A KEY
 21 = BLACK B KEY
 33 = GREEN C KEY
 47 = BROWN D KEY

NOTES
 1. MATERIAL
 HOUSING: NYLON 30%GF
 2. INSPECTION NUMBERS 51-100
 RESERVED FOR SHEET 4
 3. PART NUMBER 934471003 SHOWN
 LAST INSPECTION NUMBER 54

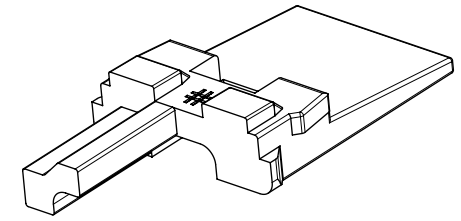
THIS DRAWING CONTAINS INFORMATION THAT IS PROPRIETARY TO MOLEX INCORPORATED AND SHOULD NOT BE USED WITHOUT WRITTEN PERMISSION													
SUPERSEDING SD-93443-0010 EC NO: 110489 DRWN: JFLETCHER CHK'D: FDUGGAN APPR: JDWALLACE	2016/11/16 2016/12/16 2017/01/03	QUALITY SYMBOLS	GENERAL TOLERANCES (UNLESS SPECIFIED)		DIMENSION UNITS	SCALE							
		▽ = 0 ▽ = 0 ▽ = 0 ▼ = 0 ▽ = 0 ☒ = 0 ■ = 0 ▽ = 0	ANGULAR TOL ± 2.0 ° 4 PLACES ± 3 PLACES ± 2 PLACES ± 0.1 1 PLACE ± 0.2 0 PLACES ±		MM	5:1							
		DRWN BY	DATE		KREILLY		2015/06/12		2CCT ML-XT CV CONNECTOR				
		CHK'D BY	DATE		FDUGGAN		2015/09/14						
		APPR BY	DATE		JDWALLACE		2015/09/15		PRODUCT CUSTOMER DRAWING				
DRAWING SIZE		THIRD ANGLE PROJECTION		A3				SERIES	MATERIAL NUMBER	CUSTOMER			
A3		REV		A3		93443 SEE CHART		93443	934430010	GENERAL MARKET			
								DOCUMENT NUMBER	DOC TYPE	DOC PART	SHEET NUMBER		
								934430010	PSD	000	4 OF 9		

9 8 7 6 5 4 3 2 1

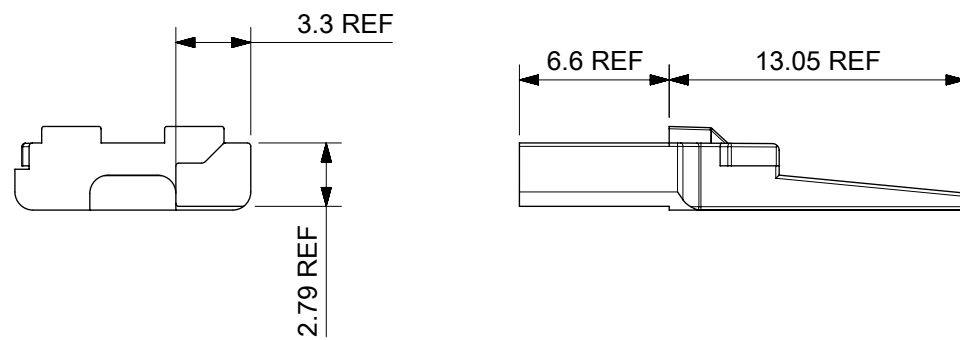
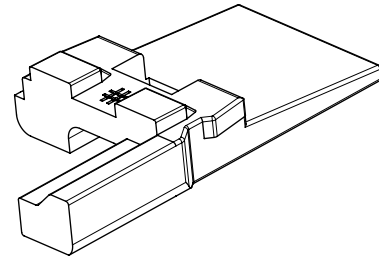
934471012 (KEY A)
COLOUR GREY



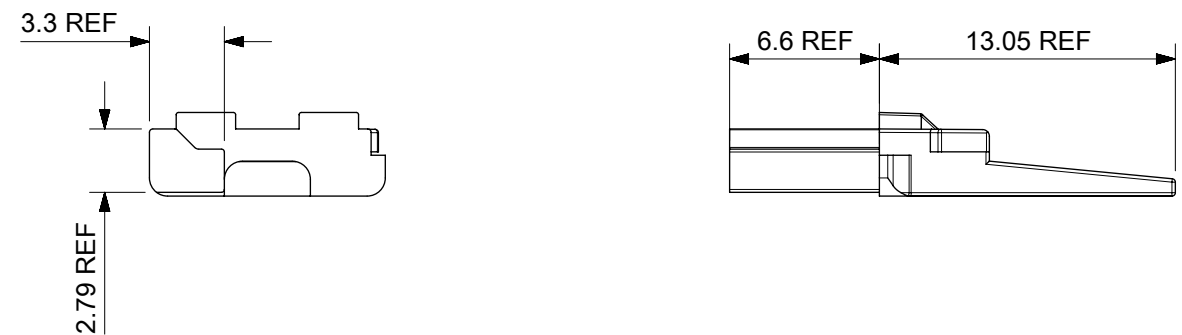
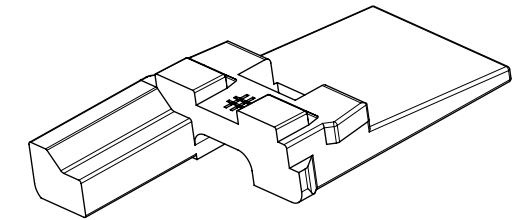
934471021 (KEY B)
COLOUR BLACK



934471033 (KEY C)
COLOUR GREEN



934471047 (KEY D)
COLOUR BROWN



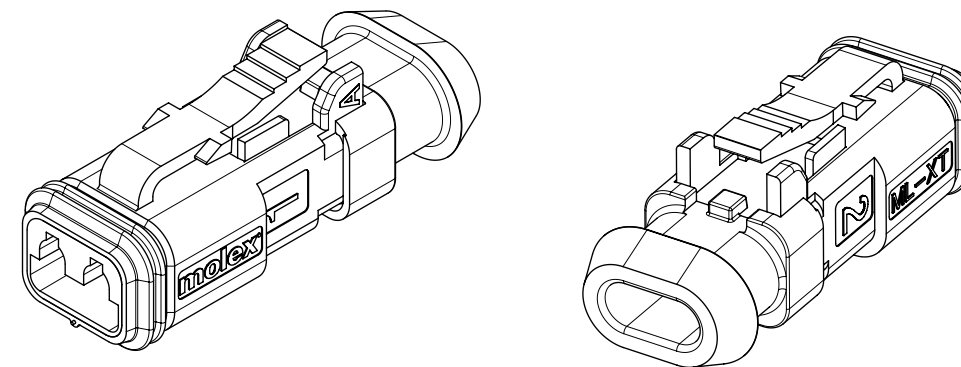
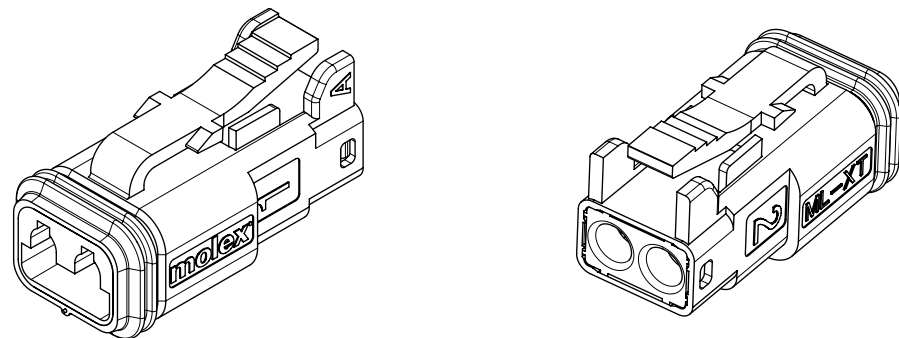
NOTES:
1. MATERIAL PA66 30%GF
2. SEE SHEET 4 FOR UNSPECIFIED NOTES & DIMENSIONS

THIS DRAWING CONTAINS INFORMATION THAT IS PROPRIETARY TO MOLEX INCORPORATED AND SHOULD NOT BE USED WITHOUT WRITTEN PERMISSION

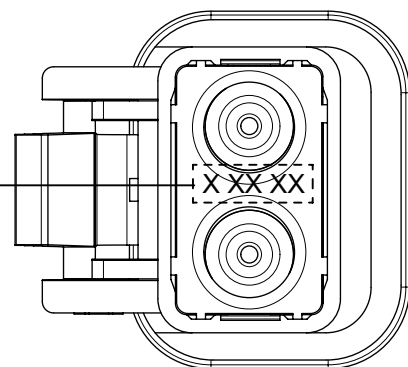
SUPERSEDING SD-93443-0010 EC NO: 110489 DRWN: JFLETCHER CHK'D: FDUGGAN APPR: JDWALLACE	2016/11/16	2016/12/16	2017/01/03	QUALITY SYMBOLS 	GENERAL TOLERANCES (UNLESS SPECIFIED)		DIMENSION UNITS		SCALE		 2CCT ML-XT CV CONNECTOR			
					ANGULAR TOL ± 2.0 °		MM		3:1					
					4 PLACES ±		DRWN BY		DATE		PRODUCT CUSTOMER DRAWING			
					3 PLACES ±		KREILLY		2015/06/12					
			2 PLACES ± 0.1		CHK'D BY		DATE		SERIES: 93443 MATERIAL NUMBER: CUSTOMER: GENERAL MARKET					
			1 PLACE ± 0.2		FDUGGAN		2015/09/14							
			0 PLACES ±		APPR BY		DATE		DOCUMENT NUMBER: 934430010 DOC TYPE: PSD DOC PART: 000 SHEET NUMBER: 5 OF 9					
			DRAFT WHERE APPLICABLE MUST REMAIN WITHIN DIMENSIONS		JDWALLACE		2015/09/15							
A3		REV			DRAWING SIZE		THIRD ANGLE PROJECTION							
					A3									

2CCT PLUG CONNECTOR

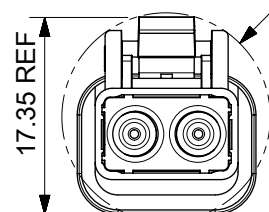
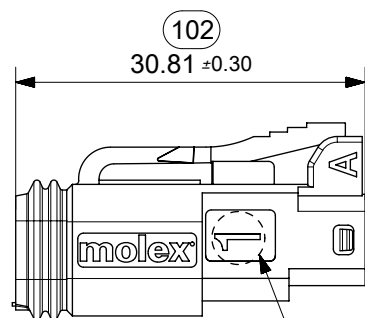
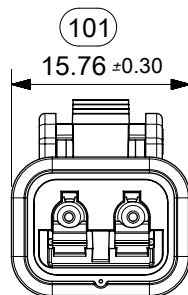
2CCT PLUG CONNECTOR WITH HEATSHRINK HOUSING ULTRA SONICALLY WELDED IN PLACE



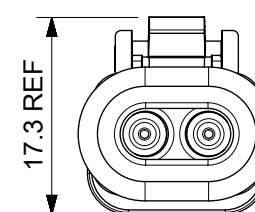
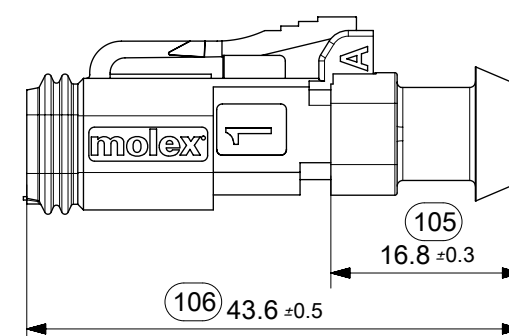
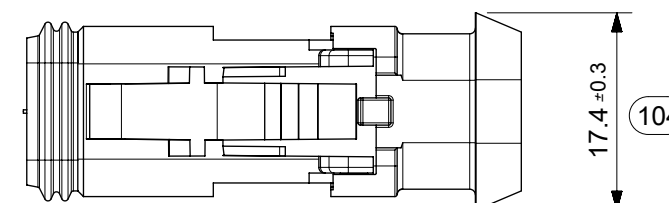
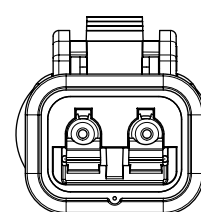
DATE CODE: X XX XX
 X — DAY: 1 - 7
 X — WEEK: 01 - 52
 X — YEAR: 00 - 99
 # — MACHINE NO. 1
 EXAMPLE: 11315 = DAY 1, WEEK 13, YEAR 15
 i.e. 23RD OF MARCH 2015



(ROTATED 90°)
 DETAIL B
 SCALE 3:1



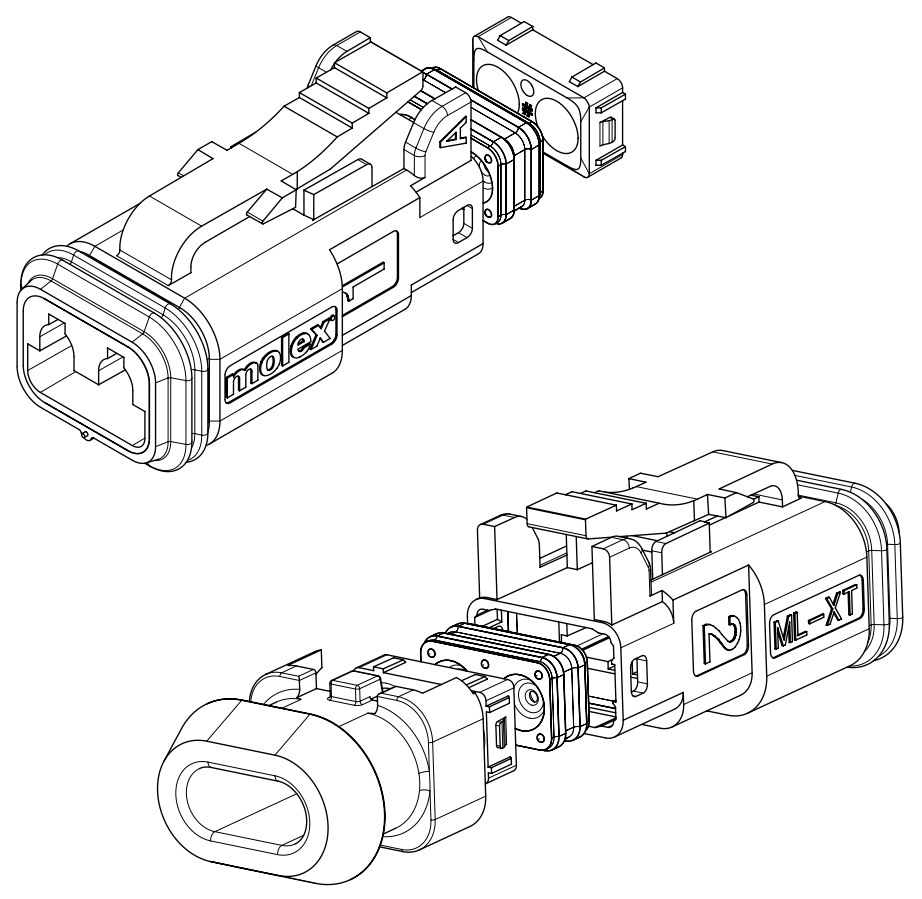
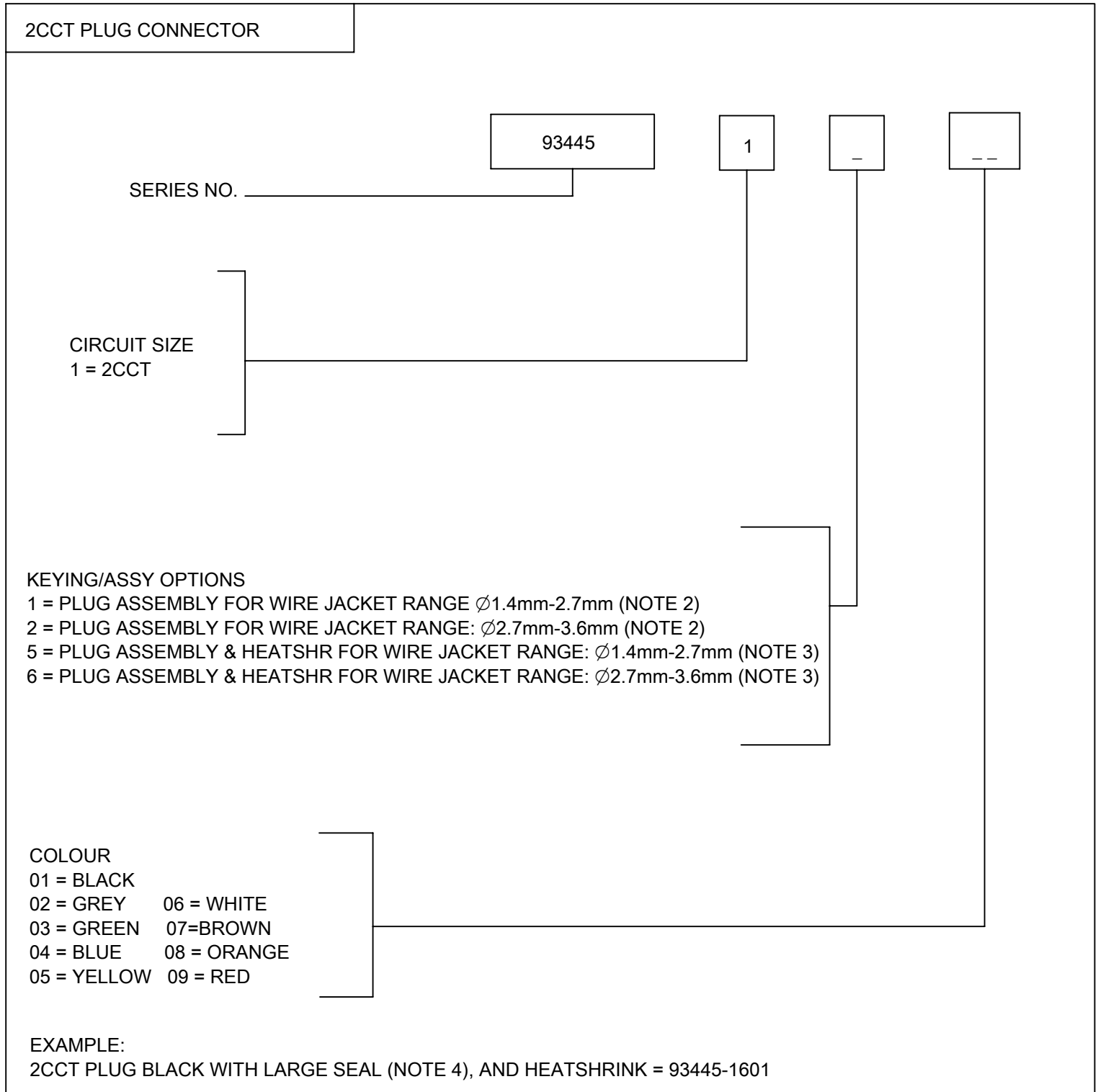
NOTE 2



- NOTES
- MATERIAL
 HOUSING: NYLON 30%GF
 PLUG SEAL: SILICONE RUBBER
 BACK SEAL: HIGH CONSISTENCY RUBBER
 - CIRCUIT IDENTIFICATION
 - JACKET RANGE LARGE = 2.7mm TO 3.6mm (SEAL COLOUR: LIGHT BLUE)
 JACKET RANGE SMALL = 1.4mm TO 2.7mm (SEAL COLOUR: BURNT ORANGE)
 - SEE SHEET 7 FOR FINAL PART NUMBER DESIGNATION
 - INSPECTION NUMBERS 101-150 RESERVED FOR SHEET 6
 LAST INSPECTION NUMBER 106.
 INSPECTION NUMBERS 103 & 107 DELETED.

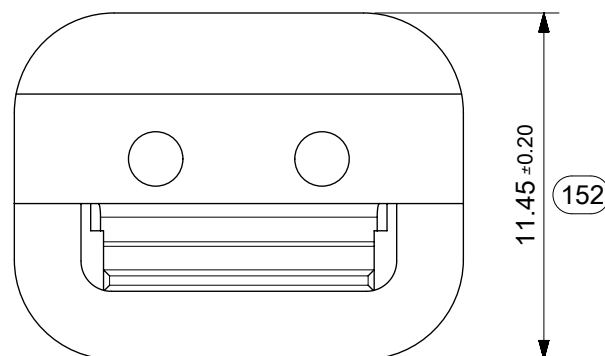
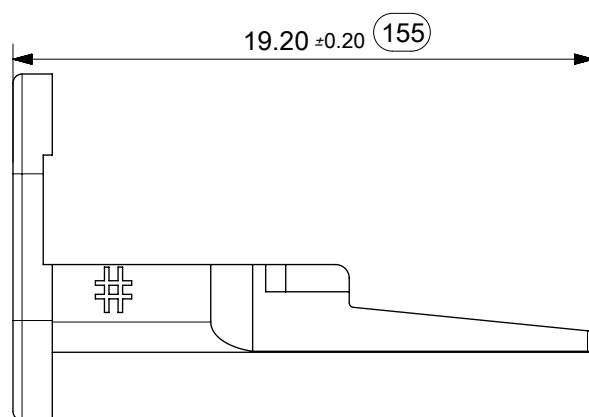
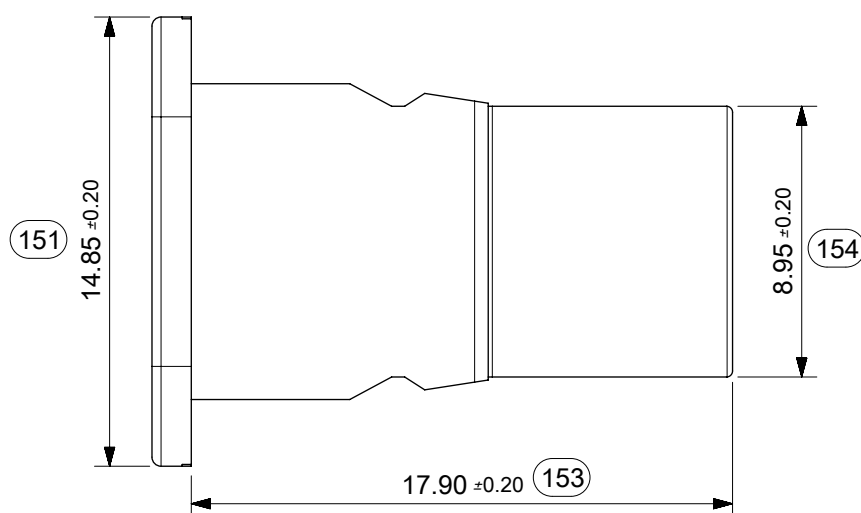
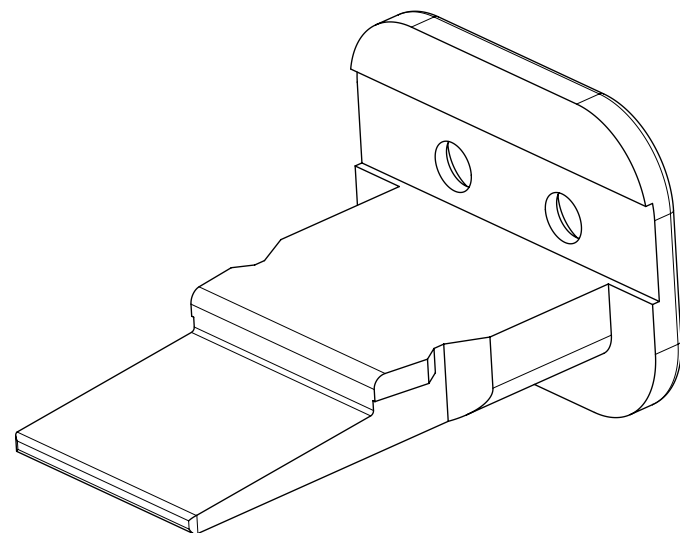
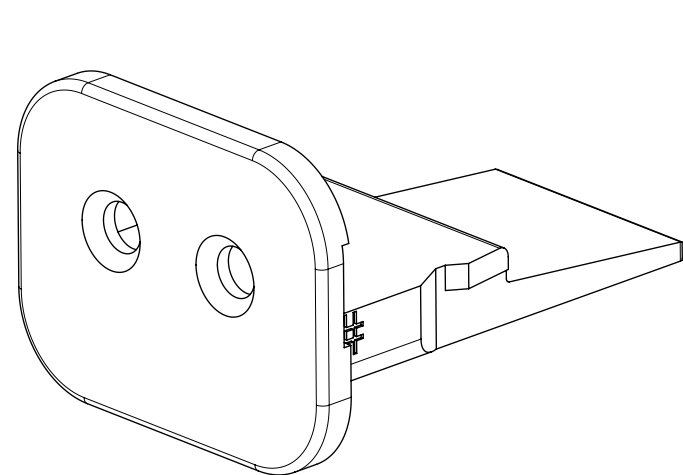
THIS DRAWING CONTAINS INFORMATION THAT IS PROPRIETARY TO MOLEX INCORPORATED AND SHOULD NOT BE USED WITHOUT WRITTEN PERMISSION

SUPERSEDING SD-93443-0010 EC NO: 110489 DRWN: JFLETCHER CHK'D: FDUGGAN APPR: JDWALLACE	2016/11/16 2016/12/16 2017/01/03	QUALITY SYMBOLS ▽ = 0 ▽ = 0 ▽ = 0 ▼ = 0 ▽ = 0 ☒ = 0 ■ = 0 ▽ = 0	GENERAL TOLERANCES (UNLESS SPECIFIED) ANGULAR TOL ± 2.0 ° 4 PLACES ± 3 PLACES ± 2 PLACES ± 0.1 1 PLACE ± 0.2 0 PLACES ± DRAFT WHERE APPLICABLE MUST REMAIN WITHIN DIMENSIONS	DIMENSION UNITS MM SCALE 1.5:1	DRWN BY KREILLY DATE 2015/06/12		2CCT ML-XT CV CONNECTOR			
	CHK'D BY FDUGGAN DATE 2015/09/14	APPR BY JDWALLACE DATE 2015/09/15	DRAWING SIZE A3	THIRD ANGLE PROJECTION	SERIES 93443					MATERIAL NUMBER SEE SHEET 7
	A3	REV	DRAWING SIZE A3	THIRD ANGLE PROJECTION	DOCUMENT NUMBER 934430010	DOC TYPE PSD	DOC PART 000	SHEET NUMBER 6 OF 9	PRODUCT CUSTOMER DRAWING	

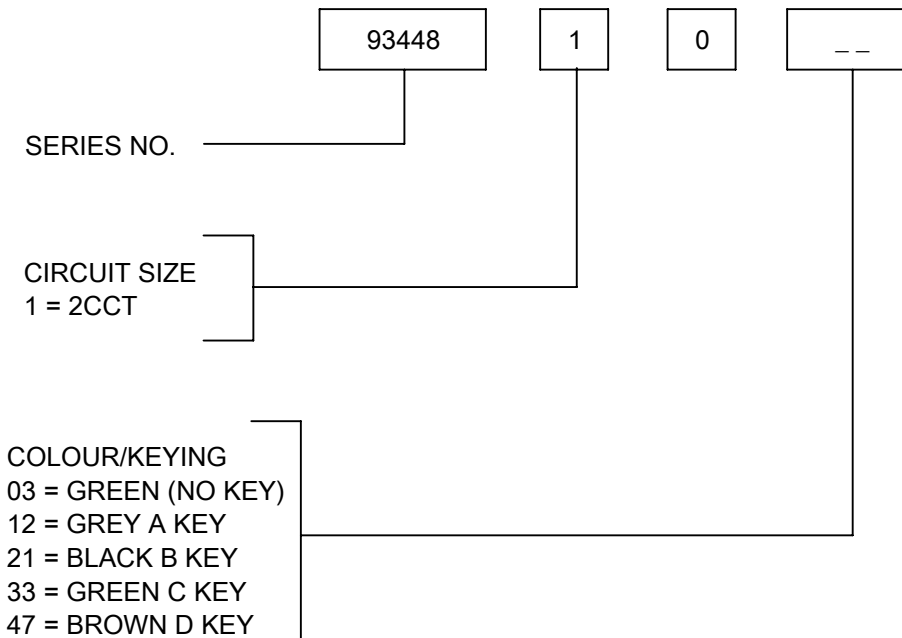


- Notes:
1. SEE SHEET 2 FOR UNSPECIFIED NOTES AND DIMENSIONS
 2. BACK COVER HOUSING COLOUR: BLACK
 3. HEATSHRINK HOUSING COLOUR: BLACK
 4. JACKET RANGE LARGE = 2.7mm TO 3.6mm (SEAL COLOUR: LIGHT BLUE)
 JACKET RANGE SMALL = 1.4mm TO 2.7mm (SEAL COLOUR: BURNT ORANGE)

THIS DRAWING CONTAINS INFORMATION THAT IS PROPRIETARY TO MOLEX INCORPORATED AND SHOULD NOT BE USED WITHOUT WRITTEN PERMISSION									
SUPERSEDING SD-93443-0010 EC NO: 110489 DRWN: JFLETCHER CHK'D: FDUGGAN APPR: JDWALLACE	2016/11/16	2016/12/16	2017/01/03	QUALITY SYMBOLS	GENERAL TOLERANCES (UNLESS SPECIFIED)		DIMENSION UNITS	SCALE	
				∇ = 0 ∇ = 0 ∇ = 0 \blacktriangledown = 0 ∇ = 0 \boxtimes = 0 \blacksquare = 0 ∇ = 0	ANGULAR TOL \pm 2.0 ° 4 PLACES \pm 3 PLACES \pm 2 PLACES \pm 0.1 1 PLACE \pm 0.2 0 PLACES \pm	MM	2:1		
						DRWN BY	DATE		
						CHK'D BY	DATE		
						APPR BY	DATE		
							DRAWING SIZE	THIRD ANGLE PROJECTION	
							A3		
									2CCT ML-XT CV CONNECTOR
									PRODUCT CUSTOMER DRAWING
									SERIES: 93443 MATERIAL NUMBER: SEE CHART CUSTOMER: GENERAL MARKET
									DOCUMENT NUMBER: 934430010 DOC TYPE: PSD DOC PART: 000 SHEET NUMBER: 7 OF 9



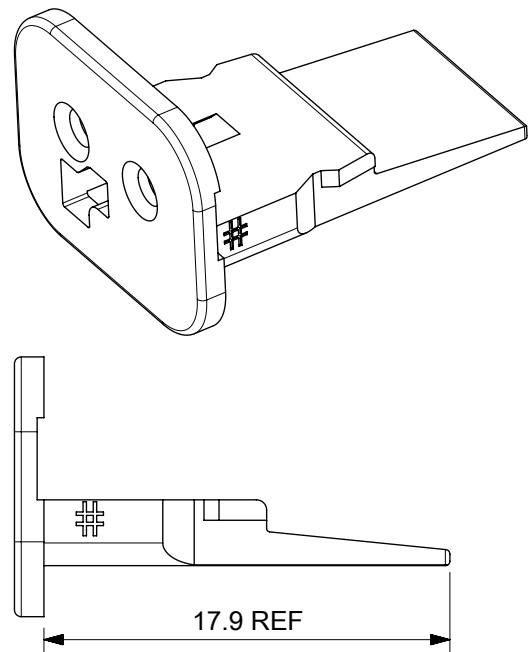
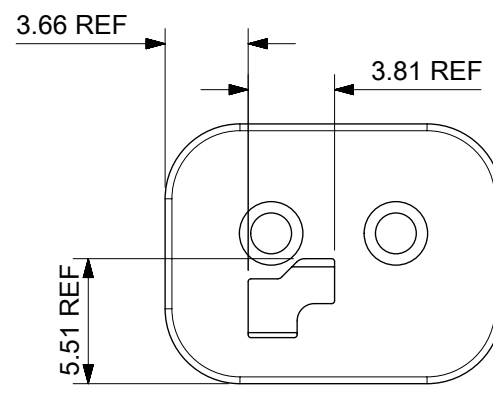
2CCT PLUG WEDGELOCK



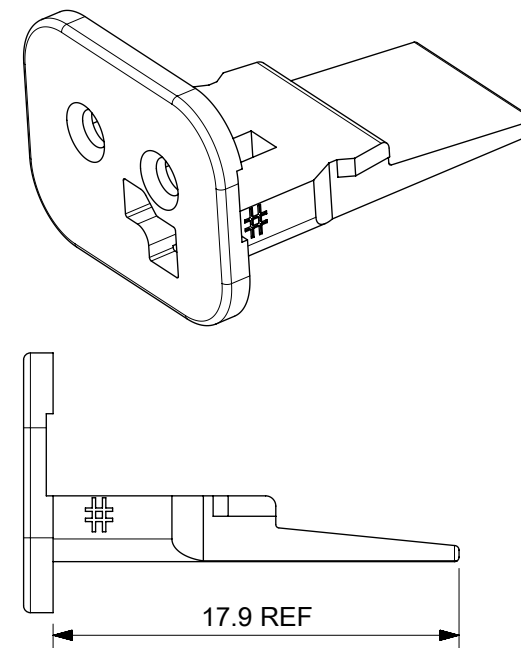
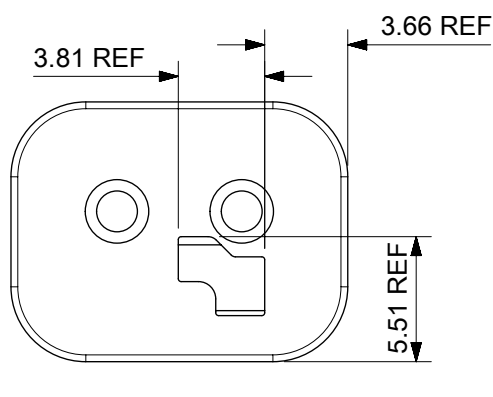
NOTES
 1. MATERIAL
 HOUSING: NYLON 30%GF
 2. INSPECTION NUMBERS 151-200 RESERVED FOR SHEET 8
 3. PART NUMBER 934481003 SHOWN
 LAST INSPECTION NUMBER 155

THIS DRAWING CONTAINS INFORMATION THAT IS PROPRIETARY TO MOLEX INCORPORATED AND SHOULD NOT BE USED WITHOUT WRITTEN PERMISSION											
SUPERSEDING SD-93443-0010 EC NO: 110489 DRWN: JFLETCHER CHK'D: FDUGGAN APPR: JDWALLACE	2016/11/16 2016/12/16 2017/01/03	QUALITY SYMBOLS	GENERAL TOLERANCES (UNLESS SPECIFIED)		DIMENSION UNITS	SCALE	molex				
		▽ = 0	ANGULAR TOL ± 2.0 °		MM	4:1					
		▽ = 0	4 PLACES ±	DRWN BY	DATE	2CCT ML-XT CV CONNECTOR					
		▽ = 0	3 PLACES ±	KREILLY	2015/06/12						
▽ = 0	2 PLACES ± 0.1	CHK'D BY	DATE	PRODUCT CUSTOMER DRAWING							
▽ = 0	1 PLACE ± 0.2	FDUGGAN	2015/09/14								
▽ = 0	0 PLACES ±	APPR BY	DATE	SERIES MATERIAL NUMBER CUSTOMER							
☒ = 0	DRAFT WHERE APPLICABLE MUST REMAIN WITHIN DIMENSIONS	JDWALLACE	2015/09/15						93443	SEE CHART	GENERAL MARKET
A3	REV	▽ = 0	DRAFT WHERE APPLICABLE MUST REMAIN WITHIN DIMENSIONS		DRAWING SIZE	THIRD ANGLE PROJECTION	DOCUMENT NUMBER		DOC TYPE	DOC PART	SHEET NUMBER
					A3		934430010	PSD	000	8 OF 9	

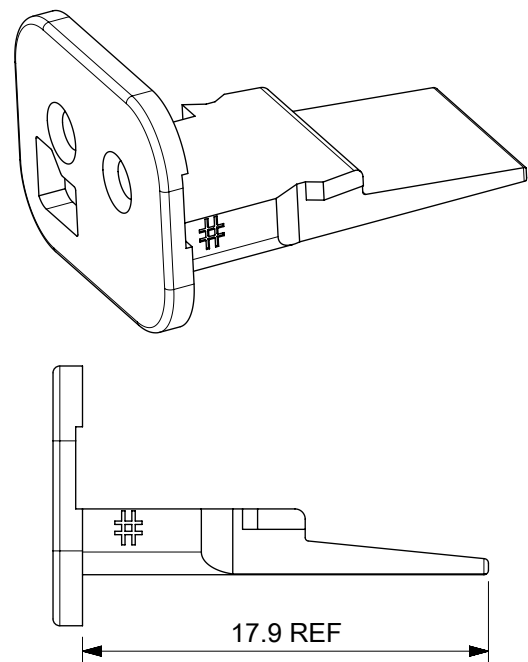
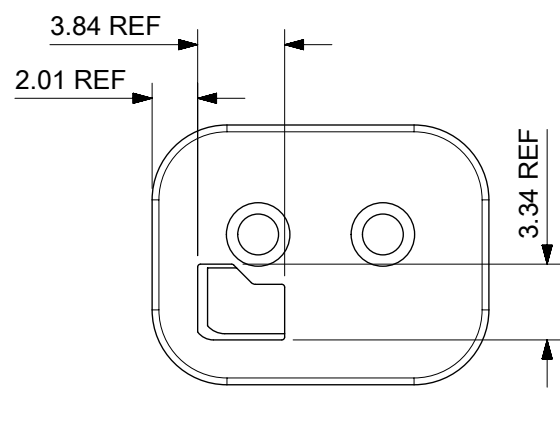
934481012 (KEY A)
COLOUR GREY



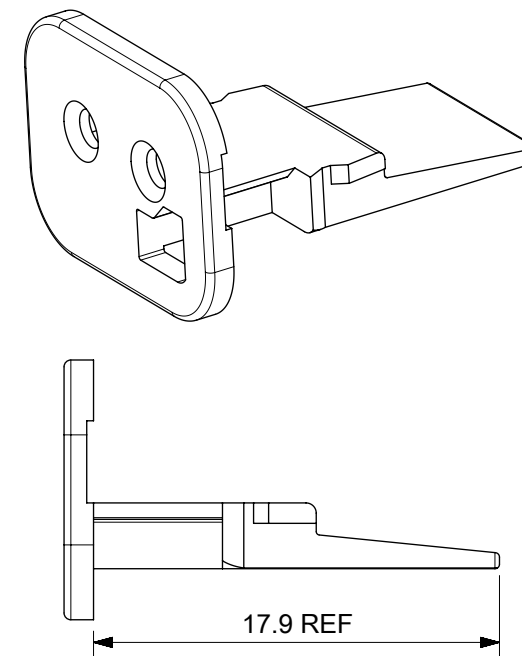
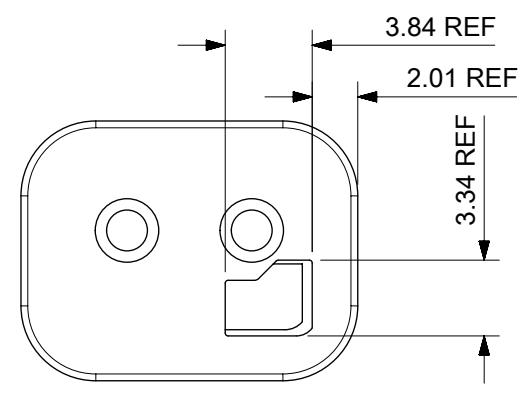
934481021 (KEY B)
COLOUR BLACK



934481033 (KEY C)
COLOUR GREEN



934481047 (KEY D)
COLOUR BROWN



NOTES:
1. MATERIAL PA66 30%GF
2. SEE SHEET 8 FOR UNSPECIFIED NOTES & DIMENSIONS

THIS DRAWING CONTAINS INFORMATION THAT IS PROPRIETARY TO MOLEX INCORPORATED AND SHOULD NOT BE USED WITHOUT WRITTEN PERMISSION

SUPERSEDING SD-93443-0010 EC NO: 110489 DRWN: JFLETCHER CHK'D: FDUGGAN APPR: JDWALLACE	2016/11/16	2016/12/16	2017/01/03	QUALITY SYMBOLS 	GENERAL TOLERANCES (UNLESS SPECIFIED) ANGULAR TOL ± 2.0 ° 4 PLACES ± 3 PLACES ± 2 PLACES ± 0.1 1 PLACE ± 0.2 0 PLACES ± DRAFT WHERE APPLICABLE MUST REMAIN WITHIN DIMENSIONS	DIMENSION UNITS	SCALE	 2CCT ML-XT CV CONNECTOR					
	MM		3:1										
	DRWN BY	DATE				KREILLY			2015/06/12		PRODUCT CUSTOMER DRAWING		
	CHK'D BY	DATE				FDUGGAN		2015/09/14					
APPR BY	DATE		JDWALLACE		2015/09/15		SERIES	MATERIAL NUMBER	CUSTOMER				
A3		REV	A3		THIRD ANGLE PROJECTION		93443		GENERAL MARKET				
DOCUMENT NUMBER							DOC TYPE	DOC PART	SHEET NUMBER				
934430010							PSD	000	9 OF 9				