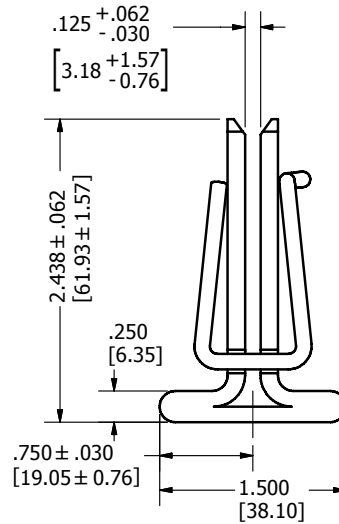
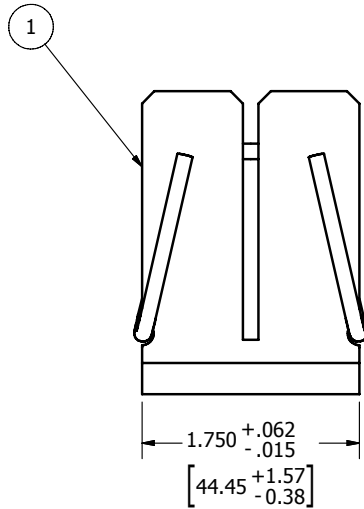
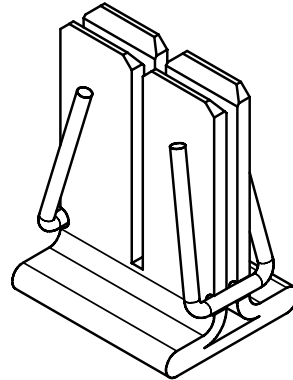
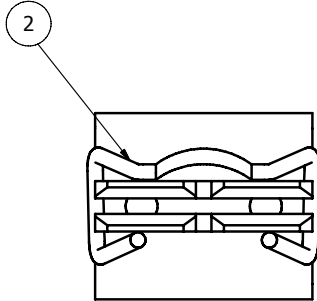


PARTS LIST

| ITEM | PART NUMBER | DESCRIPTION | QTY | BASE UNIT |
|------|--------------|------------------|-----|-----------|
| 1 | 03DP-100-026 | Clip | 1 | Each |
| 2 | 03DP-100-027 | Reinforcing Clip | 1 | Each |

| REVISION | | DESCRIPTION |
|----------|------------|--|
| REV | DATE | |
| A | 11/10/2008 | 000531ER - RELEASE PER SALES RELEASE EM998 LDL |



| | | | |
|---|--|---------------|-------------------------------|
| ● | DENOTES CRITICAL CHARACTERISTICS. | | |
| CPK | DENOTES CPK DIMENSIONS, -MINIMUM CPK VALUE | | |
| (ST) | DENOTES A CHARACTERISTIC THAT PROVIDES AN INDICATION OF PROCESS PERFORMANCE. PROCEDURE FOR MEASUREMENT AND TRACKING TO BE DEFINED IN LITTELFUSE INSPECTION INSTRUCTIONS. | | |
| CP | DENOTES CP DIMENSIONS, -MINIMUM CP VALUE MUST BE WITHIN THE DIMENSIONAL LIMITATIONS SHOWN ON DRAWING AND INITIALLY LOCATED TO ALLOW FOR MAXIMUM TOOL LIFE. | | |
| MATL SPEC | | FINISH | |
| DRW llogan | DATE 11/10/2008 | SCALE 1:1 | FINISH GOOD WT GRAMS/PIECE |
| UNLESS OTHERWISE SPECIFIED, DIMENSIONS ARE IN MILLIMETERS, DIMENSIONS IN BRACKETS [] ARE INCHES DIMENSIONING AND DO NOT INCLUDE PLATING. TOLERANCING TO BE INTERPRETED IN ACCORDANCE WITH ANSI Y14.5M-1994 | | | |
| 3RD ANGLE PROJECTION | TOLERANCE UNLESS OTHERWISE SPECIFIED ONE PLACE DEC ±.25 [.01] FRACTION ± TWO PLACE DEC ±.100 [.004] ANGULAR ±1° | | |
| TITLE 400A FUSE CLIP | | | |
| Littelfuse® DES PLAINES, ILLINOIS 60016 | | REVISION A | DRWG NO. LF400CLIP |
| | | SHEET 1 OF 1 | |