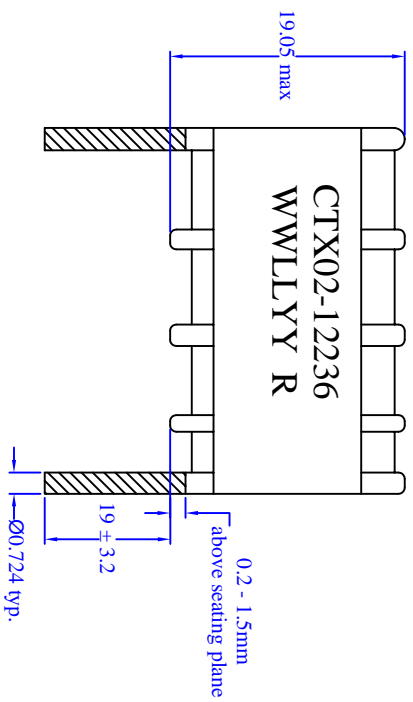
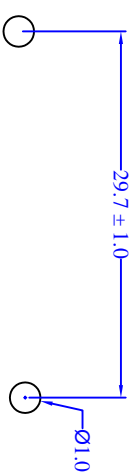


FRONT VIEW



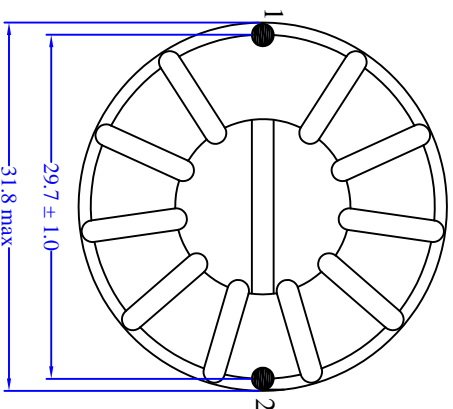
RECOMMENDED PCB LAYOUT



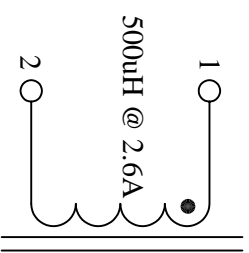
ELECTRICAL CHARACTERISTICS

1. OCL @ 100kHz, 0.10Vrms & 0.0A dc. 678.0 - 829.0uH.
2. OCL @ 100kHz, 0.10Vrms & 2.60A dc. 528.0uH min
3. DCR @ 20°C; 0.20 Ohm max.

BOTTOM VIEW



SCHEMATIC



Notes:

- 1) All Dimensions are in millimeters unless otherwise specified.
- 2) Tolerances are +/- 0.50mm unless stated otherwise.
- 3) wwlllyy = (Date Code) R= (Revision Level)
- 4) RoHS compliant

Cooper Bussmann

1225 Broken Sound Parkway, Boca Raton, FL, 33487

Inductor, Power Factor Correction

500uH @ 2.6A

Toroid, Powdered Iron, Vertical, THT, 2 term

Size Drawing Number: CTX02-12236

A Revision Level: C Sheet 3 of 5

Mouser Electronics

Authorized Distributor

Click to View Pricing, Inventory, Delivery & Lifecycle Information:

[Cooper Bussmann:](#)

[CTX02-12236](#)