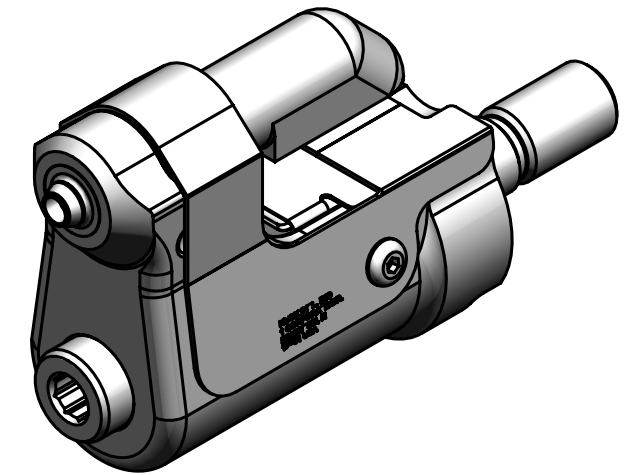
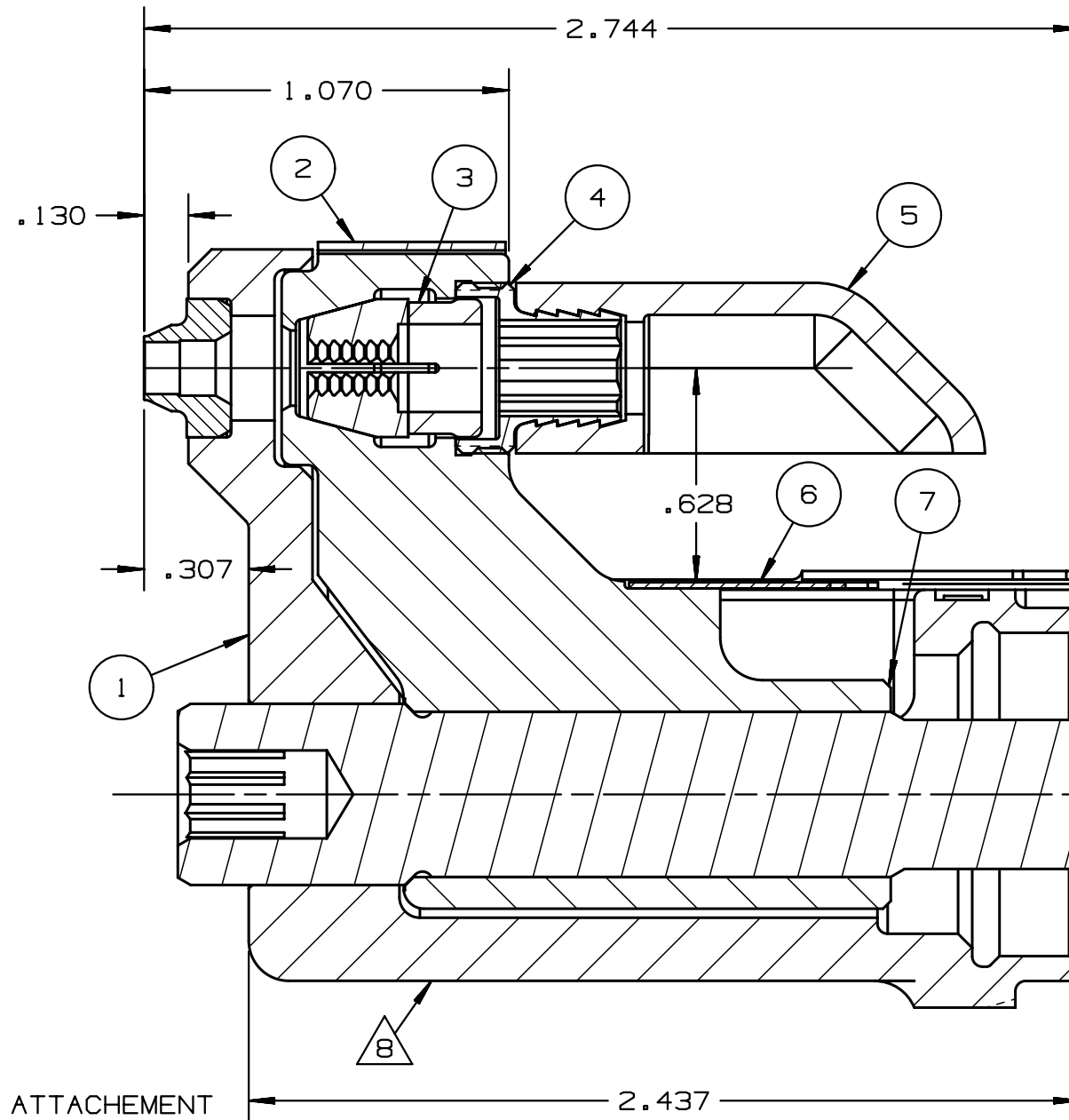
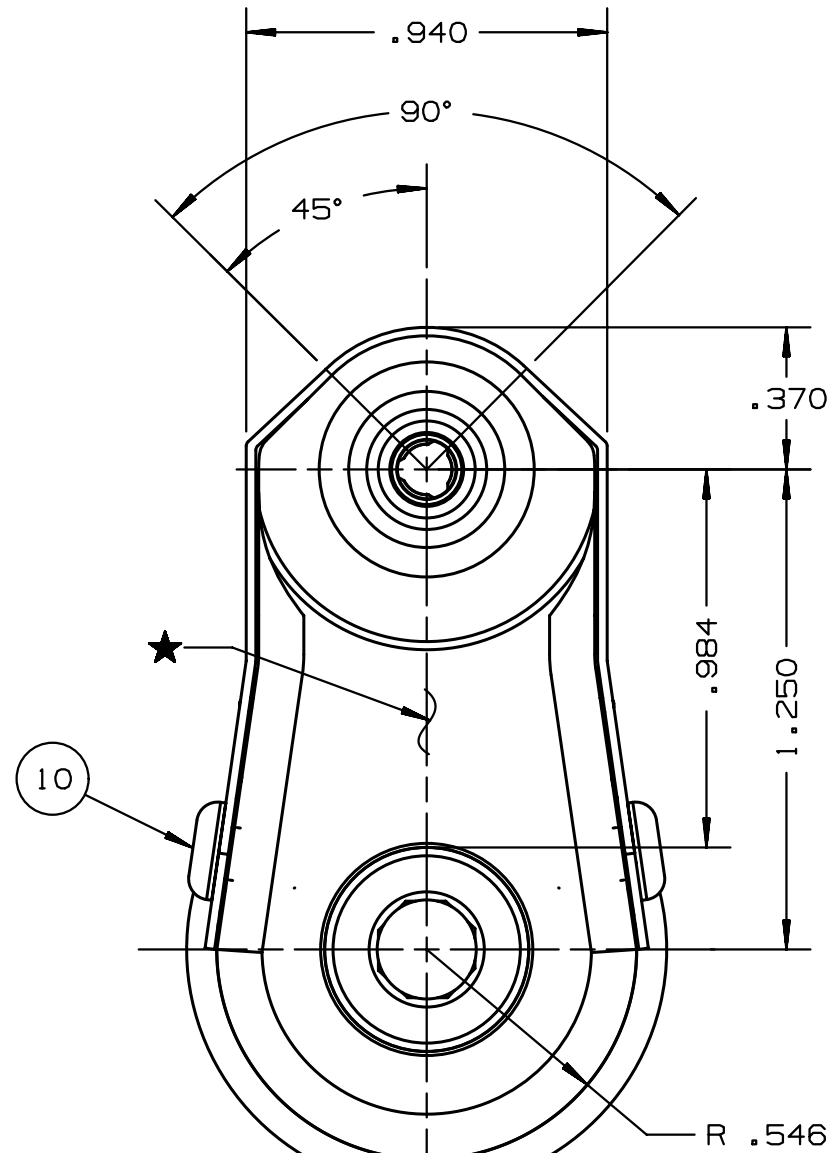


| REV | DESCRIPTION | DET | DATE |
|-----|---|-----|----------|
| E | ADDED NOTE 7. ADDED CENTERLINE DIMENSION | MK | 10/08/09 |
| F | 128513 WAS 128623. ADDED 128487 | JJC | 07/25/12 |
| G | ADDED 508511, 130322 WAS 126746, 130326 WAS 126745; ADDED VIEW; ADDED PATENT ETCH | NDG | 06/03/13 |



NOTES:

- 1 MAXIMUM RECOMMENDED STROKE: .500
- 2 FOR USE WITH THE 225/245 TOOL, USE ATTACHEMENT P/N 119400-1 AND STROKE LIMITER 118362
- 3 FOR USE WITH 2500 TOOL, USE ATTACHEMENT P/N 119400-1 AND STROKE LIMITER KIT 119888
- 4 FOR OTHER TOOLS AND/OR OTHER TOOL AND STROKE COMBINATIONS, CONSULT ENGINEERING DEPARTMENT
- 5 SHIP WITH STOP 126747
- 6 SHIP WITH DEFLECTOR 126748-1
- 7 128623 ASSEMBLY CONSISTS OF 128513 COLLET AND 128487 DRAWBAR.
- △ ETCH "U.S. PATENT #6739170" WHERE SHOWN

FOR USE WITH 206-375

| QTY | DESCRIPTION | ITEM | |
|----------|--------------------|-------------|------|
| 2 | #6-32 B.H.C.S. | 10 | |
| 1 | DRAWBAR | 9 | |
| 1 | UNITIZED DEFLECTOR | 8 | |
| 1 | COLLET | 7 | |
| 1 | GUARD | 6 | |
| 1 | DEFLECTOR | 5 | |
| 1 | BARBED RETAINER | 4 | |
| 1 | UNITIZED CHUCK JAW | 3 | |
| 1 | TOP GUARD | 2 | |
| 1 | ANVIL | 1 | |
| PART NO. | QTY | DESCRIPTION | ITEM |

| | |
|--|--|
| IDENTIFICATION PER SPEC 42-311: ★ ETCH | |
| ITAR: | HUCK INTERNATIONAL, INC., I.S.D. 1 CORPORATE DR., P.O. BOX 2270 KINGSTON, NEW YORK 12401 |
| ECCN: EAR99 | NOSE ASSEMBLY -06 BLIND BOLT |
| SCH B#: 8467.99.0190 | DET: MVM CK: DATE: 6/16/03 SCALE: 2:1 |
| HTS: 8467.99.0190 | B 99-3713 |