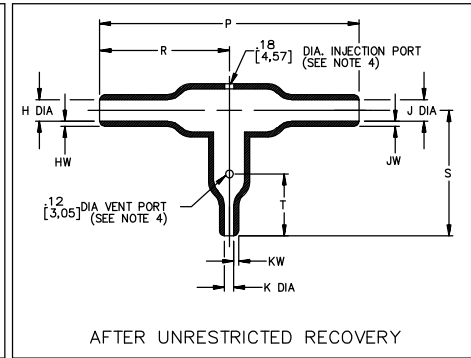
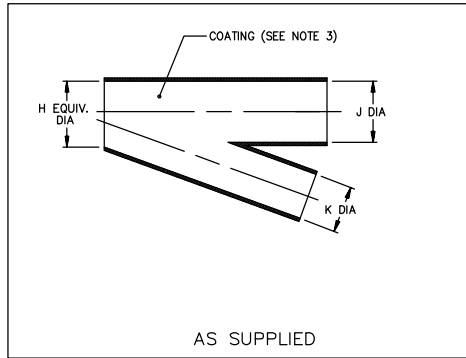


Thermofit Molded Parts Specification Control Drawing

Part Number : 322A112 thru 158
Description : Transition, 90°
Side Breakout

NOTES

- All dimensions are in $\frac{\text{inches}}{\text{millimeters}}$
- Dimensions appearing in table are as follows:
 - a - As Supplied
 - b - After Unrestricted Recovery
- Coating is optional. As supplied dimensions appearing in table are for uncoated parts. When coating is added, entry diameters will be reduced by .06 max.
- Molding ports are optional. When -00 modification number is specified molding ports will be located as shown. On size 322A112 the vent port will be eliminated.



PART NUMBER	H & J		K		P	R	S	T	HW & JW	KW
	Min a	Max b	Min a	Max b	±10% b	±10% b	±10% b	±10% b	±20% b	±20% b
322A112	.52 [13,2]	.23 [5,8]	.26 [6,6]	.12 [3,0]	2.06 [52,3]	1.03 [26,2]	.76 [19,3]	N/A	.06 [1,52]	.04 [1,02]
322A123	1.06 [26,9]	.49 [12,4]	.26 [6,6]	.12 [3,0]	3.28 [83,3]	1.64 [41,7]	1.07 [27,2]	.42 [10,7]	.10 [2,54]	.04 [1,02]
322A134	1.06 [26,9]	.50 [12,7]	.52 [13,2]	.23 [5,8]	4.24 [107,7]	2.12 [53,8]	1.52 [38,6]	.80 [20,3]	.10 [2,54]	.06 [1,52]
322A148	2.19 [55,6]	1.00 [25,4]	.52 [13,2]	.23 [5,8]	7.11 [180,6]	3.56 [90,4]	2.26 [57,4]	1.00 [25,4]	.18 [4,57]	.06 [1,52]
322A158	2.19 [55,6]	1.00 [25,4]	1.06 [26,9]	.49 [12,4]	8.75 [222,3]	4.38 [111,3]	3.06 [77,7]	1.50 [38,1]	.18 [4,57]	.10 [2,54]



TE CONNECTIVITY
300 CONSTITUTION DRIVE
MENLO PARK, CALIFORNIA 94025

Revision : S1
Date : 20APR11

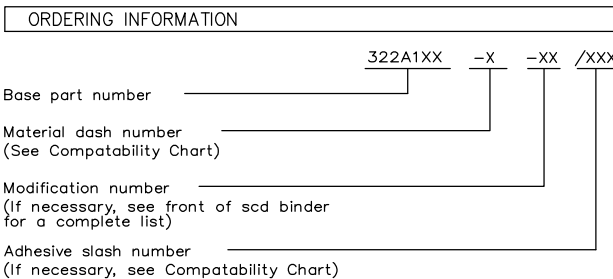
Part Number : 322A112 thru 158
Description : Transition, 90°
Side Breakout

Thermofit Molded Parts Specification Control Drawing

Part Number : 322A112 thru 158
Description : Transition, 90°
Side Breakout

MATERIAL DASH NO.	MATERIAL DESCRIPTION	RT SPEC	COATING SLASH NO.	COATING S NO.	COATING DESCRIPTION
-3	Polyolefin, Semi-rigid	RT-301	/42;/86	S-1017;S-1048	Adhesive
-4	Polyolefin, Flexible	RT-1304	/42;/86	S-1017;S-1048	Adhesive
-5	Elastomer, Flexible	RT-501	/42	S-1017	Adhesive
-6	Silicone	RT-602	N/A		
-12	*VITON, Flexible	RT-1312	N/A		
-25	Elastomer, Fluid Resistant	RT-1325	/42;/86	S-1017;S-1048	Adhesive
-100	Polyolefin, Semi-flexible ZEROHAL™	RT-1323	/86;/180	S-1048;S-1030	Adhesive

*VITON is a Registered Trademark of Dupont



IF THIS DOCUMENT IS PRINTED IT BECOMES UNCONTROLLED.
CHECK FOR THE LATEST REVISION.

THIS DRAWING IS SUBJECT TO CHANGE WITHOUT NOTICE; CONSULT YOUR
NEAREST FIELD REPRESENTATIVE FOR CURRENT REVISION



TE CONNECTIVITY
300 CONSTITUTION DRIVE
MENLO PARK, CALIFORNIA 94025

Revision : S1
Date : 20APR11

Part Number : 322A112 thru 158
Description : Transition, 90°
Side Breakout

CAD FILE MP00071