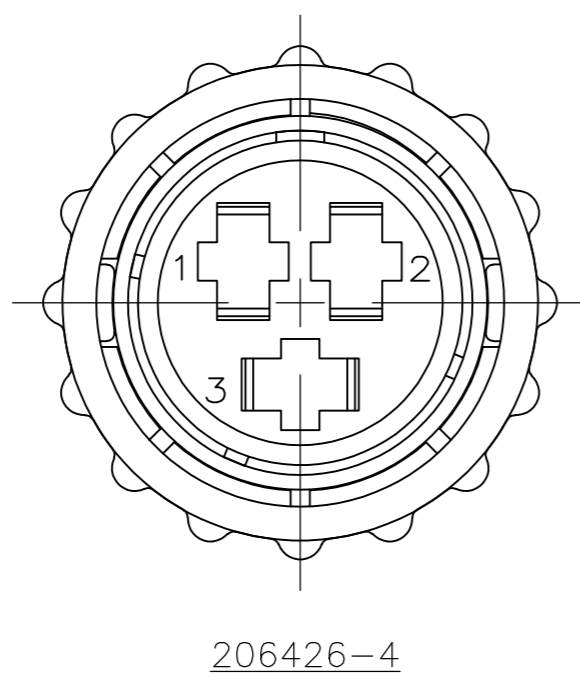
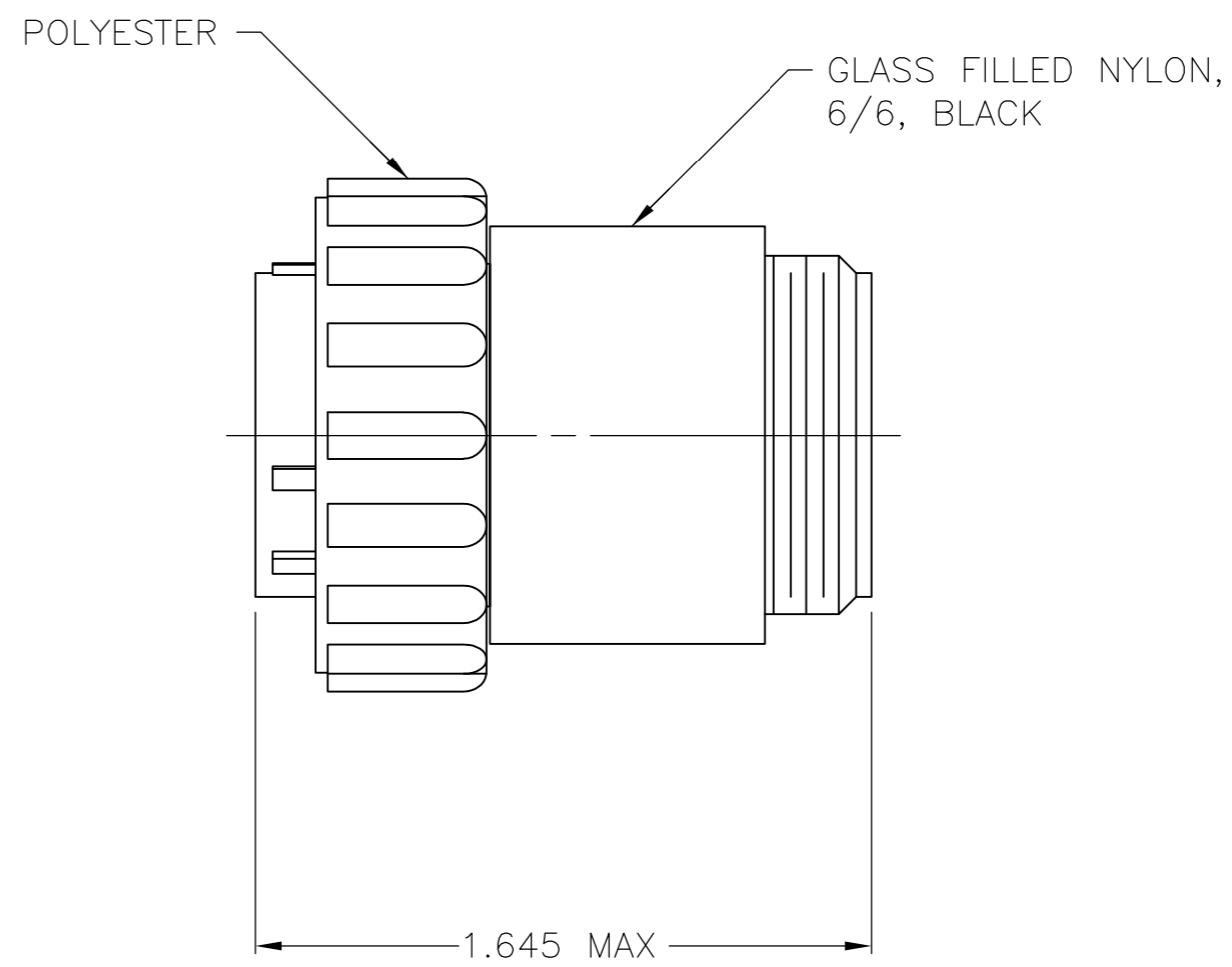
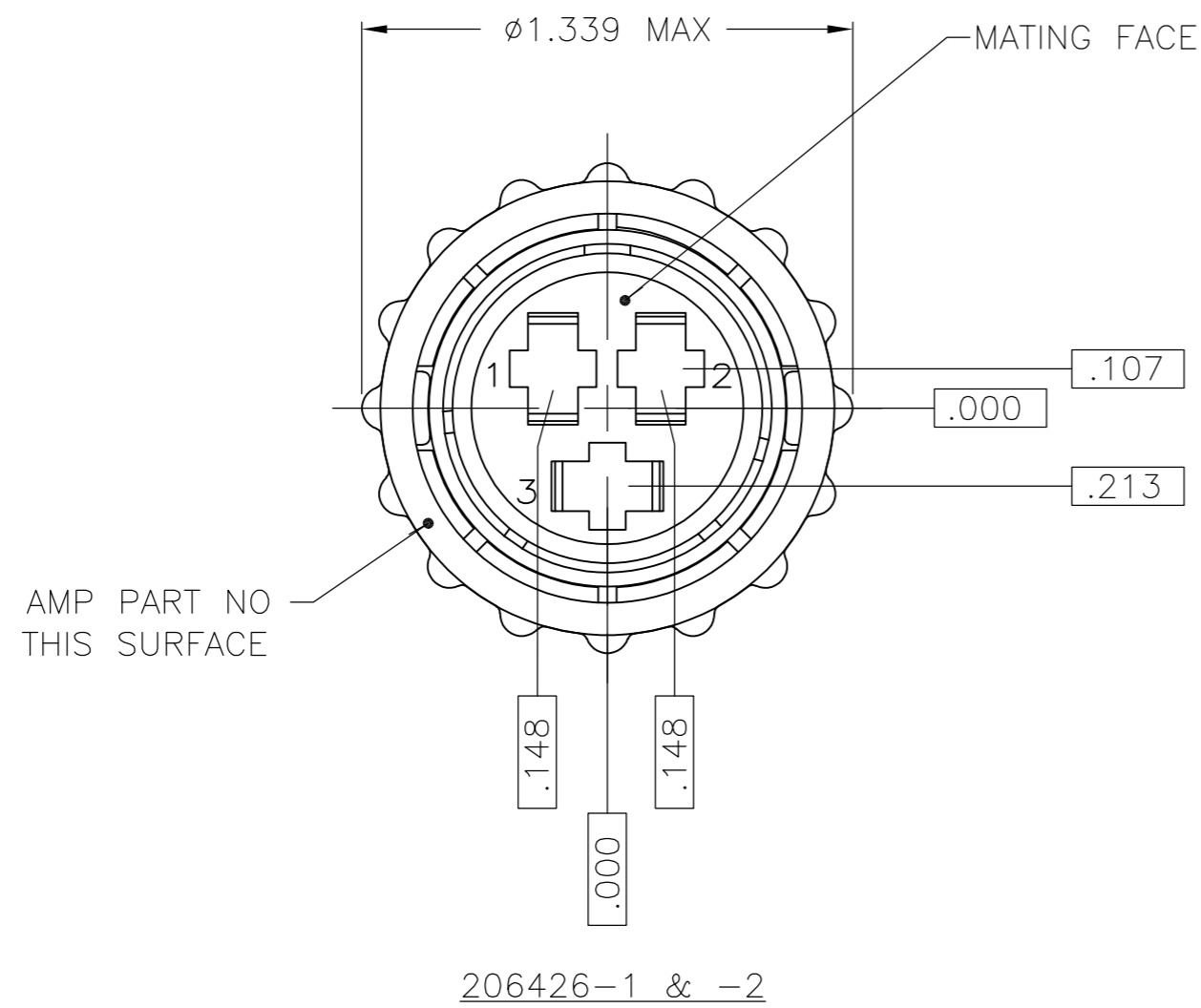


THIS DRAWING IS UNPUBLISHED. RELEASED FOR PUBLICATION  
 © COPYRIGHT - By - ALL RIGHTS RESERVED.

REVISIONS				
P	LTR	DESCRIPTION	DATE	APVD
F3		REVISED PER ECO-16-004800	10SEP2016	NK MZ



- 1 CONTACT CAVITIES IDENTIFIED BY CHARACTERS ON FRONT AND REAR FACES OF CONNECTOR.
- 2 WILL ACCEPT (3) TYPE XII PIN CONTACTS.

OBSOLETE	B	BLACK	VALOX	206426-4
	A	GRAY	NORYL	<del>206426-2</del>
	A	BLACK	VALOX	206426-1
	KEYING STYLE	COUPLING RING COLOR	COUPLING RING MATL	PART NUMBER

THIS DRAWING IS A CONTROLLED DOCUMENT.		DWN S.RIDGLEY BG 8/2/90	<b>TE</b> TE Connectivity	
DIMENSIONS: INCHES		CHK R.STONE 04/26/91		
TOLERANCES UNLESS OTHERWISE SPECIFIED:		APVD -	NAME	
0 PLC ± -		PRODUCT SPEC -	PLUG ASSEMBLY, SHELL SIZE 17, REVERSE SEX, SERIES 3, CPC	
1 PLC ± -		APPLICATION SPEC -	SIZE A2	CAGE CODE 00779
2 PLC ± -		WEIGHT	DRAWING NO C=206426	RESTRICTED TO -
3 PLC ± -		FINISH -	SCALE 2:1	SHEET 1 of 1
4 PLC ± -			REV F3	
ANGLES ± -				
MATERIAL SEE				
		CUSTOMER DRAWING		