



**Ordering number** C12041  
**Description** C12041\_Eva-S-XM

Family Eva  
 Type Lens  
 LED XM-L  
 Color Transparent  
 Diameter 35 mm  
 Height 16.4 mm  
 Style Round  
 Optic Material PMMA  
 Holder Material -  
 Fastening -  
 Status Ready

FWHM 13 degrees  
 Efficiency 94 %  
 cd/lm -  
 Gerber File Available

Outer flange can be secured in fixture for hardware-free attachment



**Ordering number** C10684  
**Description** C10684\_Eva-XM-D

Family Eva  
 Type Lens  
 LED XM-L  
 Color Transparent  
 Diameter 35 mm  
 Height 16.4 mm  
 Style Round  
 Optic Material PMMA  
 Holder Material -  
 Fastening -  
 Status Ready

FWHM 16 degrees  
 Efficiency 91 %  
 cd/lm -  
 Gerber File Available

Outer flange can be secured in fixture for hardware-free attachment



**Ordering number** C10685  
**Description** C10685\_Eva-XM-M

Family Eva  
 Type Lens  
 LED XM-L  
 Color Transparent  
 Diameter 35 mm  
 Height 16.4 mm  
 Style Round  
 Optic Material PMMA  
 Holder Material -  
 Fastening -  
 Status Ready

FWHM 24 degrees  
 Efficiency 88 %  
 cd/lm -  
 Gerber File Available

Outer flange can be secured in fixture for hardware-free attachment



**Ordering number** C10686  
**Description** C10686\_Eva-XM-W

Family Eva  
 Type Lens  
 LED XM-L  
 Color Transparent  
 Diameter 35 mm  
 Height 16.4 mm  
 Style Round  
 Optic Material PMMA  
 Holder Material -  
 Fastening -  
 Status Ready

FWHM 40 degrees  
 Efficiency 79 %  
 cd/lm -  
 Gerber File Available

Outer flange can be secured in fixture for hardware-free attachment



**Ordering number** C10909  
**Description** C10909\_Eva-XM-WW

**Family** Eva  
**Type** Lens  
**LED** XM-L  
**Color** Transparent  
**Diameter** 35 mm  
**Height** 16.4 mm  
**Style** Round  
**Optic Material** PMMA  
**Holder Material** -  
**Fastening** -  
**Status** Ready

**FWHM** 64 degrees  
**Efficiency** 77 %  
**cd/lm** -  
**Gerber File** Available

Outer flange can be secured in fixture for hardware-free attachment

**NOTE: The typical divergence will be changed by different color, chip size and chip position tolerance. The typical total divergence is the full angle measured where the luminous intensity is half of the peak value.**



## PRODUCT DATASHEET Eva series



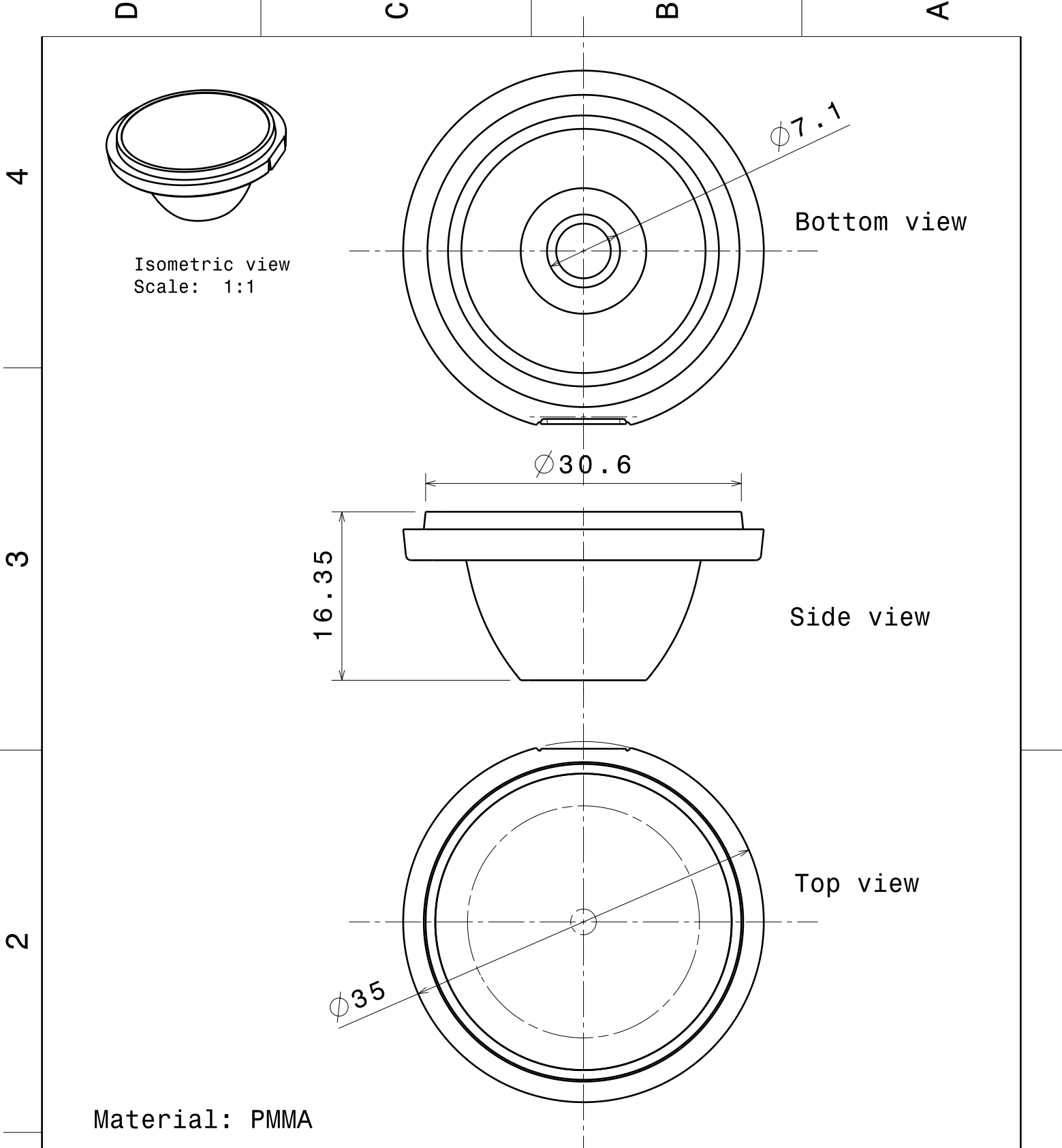
### GENERAL INFORMATION

- Product series especially designed & optimized for XM-L series of LEDs.
- Special care taken to make light distribution as uniform as possible.
- Lens material optical grade PMMA with high UV and temperature resistance (105 degrees of Celcius / 220 degrees of Fahrenheit). Allows use of high current and temperature conditions.

Please find more information about used material from below:

[http://ledil.fi/sites/default/files/Documents/Technical/Material/PMMA%20N%20UL94\\_Yellow%20Card.pdf](http://ledil.fi/sites/default/files/Documents/Technical/Material/PMMA%20N%20UL94_Yellow%20Card.pdf)

<http://ledil.fi/sites/default/files/Documents/Technical/Material/PMMA%20N%20PLEXIGLAS-Datasheet.pdf>



Isometric view  
Scale: 1:1

Bottom view

Side view

Top view

Material: PMMA

This drawing is our property.  
It can't be reproduced  
or communicated without  
our written agreement.



Ledil Oy  
Tehdaskatu 13  
FIN-24100 SALO  
Finland

DRAWING TITLE

Datasheet Eva-mc-WW Lens

DRAWN BY PV	DATE 26.06.2009
----------------	--------------------

CHECKED BY tk	DATE 09.06.2009
------------------	--------------------

DESIGNED BY HH	DATE 13.05.2009
-------------------	--------------------

SIZE A4	DRAWING NUMBER C10909	REV 1.0
SCALE 2:1	WEIGHT (g)	SHEET 1/1

1

1

D

A