



DPP480 Series

480W Single Output
DIN Rail Mount Power Supplies

- Low Cost
- 24 or 48V Outputs
- Wide Range AC Input
- Active PFC
- Parallel Function Switch
- -40°C to +71°C Operation

Key Market Segments & Applications

Key Market Segments & Applications

Industrial Controls:	Motor Control Systems
Factory Automation:	Process Control, Automotive, Chemical Processing
Test & Measurement:	Burn in & Test, Instrumentation Measurement

DPP480 Features and Benefits

Features

- PFC Compliant to EN61000-3-2
- UL508 Approvals
- TS35/7.5 or TS35/15 DIN Rail Mounting

Benefits

- Supports Global Use
- Easier System Configuration
- Easy System Integration

Specifications

MODELS		DPP480-24-1	DPP480-48-1
ITEMS			
AC Input Voltage range	VAC	90 - 264VAC	
Input Frequency	Hz	47 - 63Hz	
DC Input Voltage range	VDC	120 - 370VDC	
Inrush Current (115 / 230VAC)	A	25 / 50A	
Power Factor	-	Meets EN61000-3-2 Class A, typ 0.99 at 230VAC input	
Input Current (115/230VAC)	A	7 / 3.5A	
Output Voltage	V	24V	48V
Output Current	A	20A	10A
Output Voltage Adjustment Range	-	22.5 - 28.5V	47 - 56V
Output Voltage Accuracy	%	-0, +1% of Nominal	
Line Regulation	%	±0.5%	
Load Regulation	%	±0.5% (±5% when set in parallel mode)	
Ripple and Noise (20MHz BW)	mV	100mV	
Overcurrent Protection (Typ)	-	120 - 140%	
Overvoltage Protection	V	30 - 33V	57 - 63V
Hold Up Time (115VAC input)	ms	> 30ms	
Efficiency (typ)	%	89%	90%
Parallel operation	-	Set in single or parallel (droop) mode - maximum of 3 units	
LED Indicators	-	Green LED = On, Red LED = DC Output Low	
DC Good Relay (24V model only)	-	0.3A rated normally open relay contacts, closes when output is above 17.6 - 19.4V	
Operating Temperature	--	-40°C to +71°C (Derate linearly 2.5%/°C from 56°C to 71°C) ⁽²⁾	
Storage Temperature	-	-40°C to +85°C	
Operating Humidity	-	20 - 95% RH (non condensing)	
Cooling	(1) -	Convection	
Withstand Voltage	-	Input to Output 3kVAC for 1 min.	
Isolation Resistance	Ω	>100MΩ at 25°C & 70%RH, Output to Ground 500VDC	
Safety Agency Approvals	-	UL508 Listed, UL60950-1, EN60950-1, CE	
Conducted & Radiated EMI	-	EN55022 class B	
Weight (Typ)	g	1920g	
Size (WxHxD)	mm	175 x 125 x 123	
Case material	-	Metal	
Warranty	yrs	3	

Notes:

(1) Recommend 1" clearance on all sides

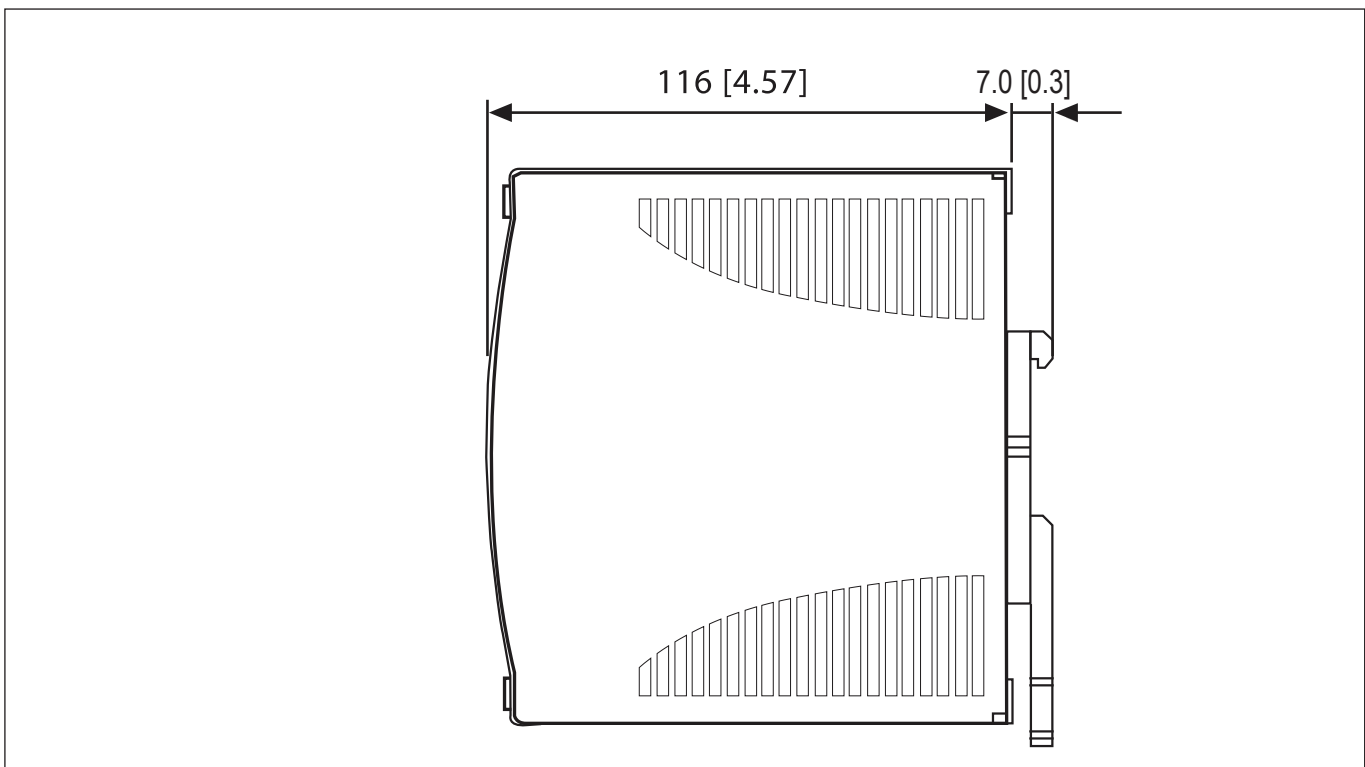
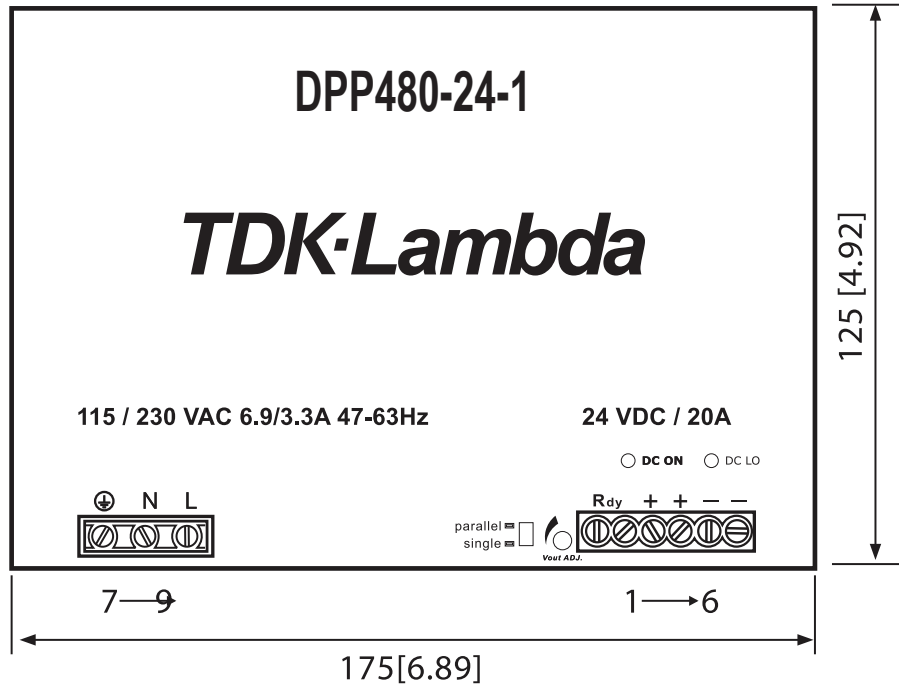
Model Selector					
Model	Output Voltage (V)	Output Adjust (V)	Output Curr. (A)	Max. Output Power (W)	Efficiency at Full Load (%)
DPP480-24-1	24	22.5 - 28.5	20	480	89
DPP480-48-1	48	47.0 - 56.0	10	480	90

For plug type connectors add suffix 'B' to part number

PIN Assignments	
Pin#	Function
1	DC Good Relay
2	DC Good Relay
3	V+
4	V+
5	V-
6	V-
7	GND
8	N
9	L

Outline Drawing DPP480 Series

Dimensions are in millimeters (inches)



TDK-LAMBDA EMEA

www.emea.tdk-lambda.com



TDK-Lambda France SAS

Route de Grivery
ZAC des Delaches
CS 41077
91978 Courtaboeuf Cedex
France
Tel: +33 1 60 12 71 65
Fax: +33 1 60 12 71 66
france@fr.tdk-lambda.com
www.fr.tdk-lambda.com



Italy Sales Office
Via dei Lavoratori 128/130
20092 Cinisello Balsamo (MI)
Italy
Tel: +39 02 61 29 38 63
Fax: +39 02 61 29 09 00
info.italia@it.tdk-lambda.com
www.it.tdk-lambda.com



TDK-Lambda Germany GmbH

Karl-Bold-Strasse 40
77855 Achern
Germany
Tel: +49 7841 666 0
Fax: +49 7841 5000
info.germany@de.tdk-lambda.com
www.de.tdk-lambda.com



Austria Sales Office
Aredstrasse 22
2544 Leobersdorf
Austria
Tel: +43 2256 655 84
Fax: +43 2256 645 12
info.germany@de.tdk-lambda.com
www.de.tdk-lambda.com



TDK-Lambda UK Ltd.

Kingsley Avenue
Ilfracombe
Devon EX34 8ES
United Kingdom
Tel: +44 (0) 12 71 85 66 66
Fax: +44 (0) 12 71 86 48 94
powersolutions@uk.tdk-lambda.com
www.uk.tdk-lambda.com



TDK-Lambda Israel

Kibbutz
Givat Hashlosha 48800
Israel
Tel: +9 723 902 4333
Fax: +9 723 902 4777
info@nemic.co.il
www.tdk-lambda.co.il



Russia

Technical Support:
St Petersburg
Tel: +7 (812) 6580463
Sales:
Moscow
Tel: +7 (499) 7557732
info@tdk-lambda.ru
www.tdk-lambda.ru

LOCAL DISTRIBUTION

