

PART NAME

SLIDE MOUNTING BRACKET KIT

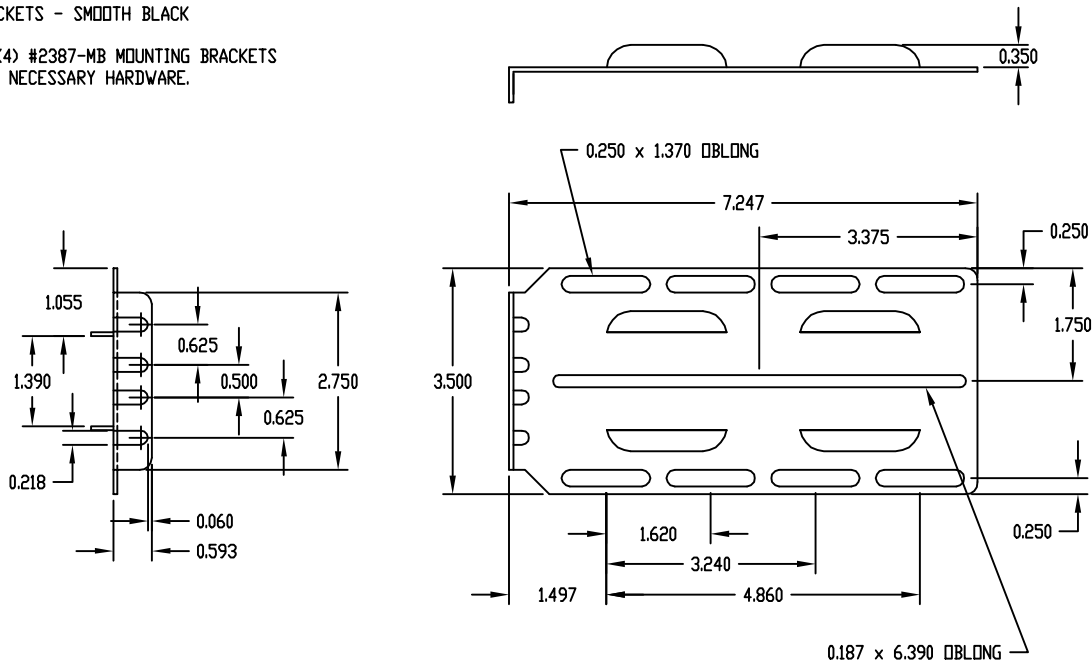
PART No.

BAS-5106

MATERIAL:
BRACKETS - 16 GA. STEEL

FINISH:
BRACKETS - SMOOTH BLACK

QTY. (4) #2387-MB MOUNTING BRACKETS
AND NECESSARY HARDWARE.



PART NAME

SLIDE MOUNTING BRACKET KIT

PART No.

BAS-5108

MATERIAL:
BRACKETS - 16 GA. STEEL

FINISH:
BRACKETS - ZINC PLATED

QTY. (4) #5103 MOUNTING BRACKETS
QTY. (4) #5107-A 'L' BRACKETS
AND NECESSARY HARDWARE.

