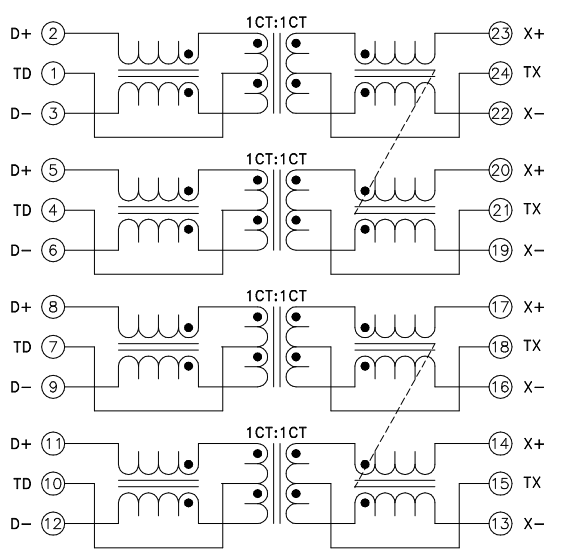
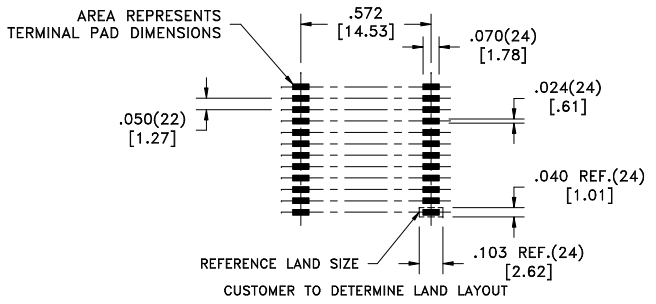
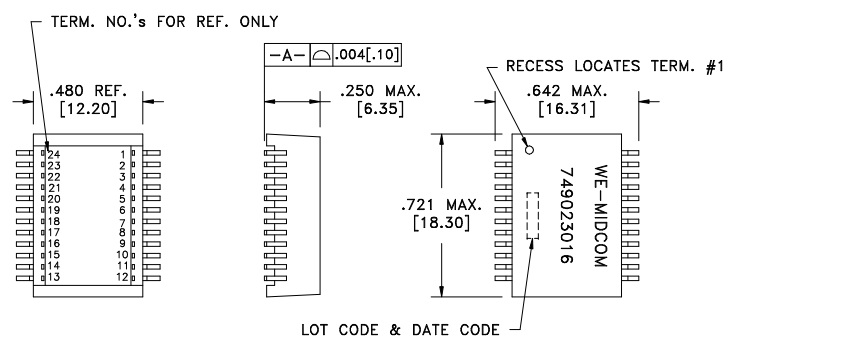


CUSTOMER TERMINAL	RoHS	LEAD(Pb)-FREE
Sn96% Ag4%	Yes	Yes



6B



ELECTRICAL SPECIFICATIONS @ 25°C unless otherwise noted:

PARAMETER	TEST CONDITIONS	VALUE	
INDUCTANCE	23-22	100kHz, 100mVAC, 8mADC, Lp	350uH min.
INDUCTANCE	20-19	100kHz, 100mVAC, 8mADC, Lp	350uH min.
INDUCTANCE	17-16	100kHz, 100mVAC, 8mADC, Lp	350uH min.
INDUCTANCE	14-13	100kHz, 100mVAC, 8mADC, Lp	350uH min.
DIELECTRIC	1-24	tie(1+4+7+10, 15+18+21+24) 1800Vrms, 1 second	1500Vrms, 1 minute
INSERTION LOSS		300k - 125MHz	-1.2dB max.
RETURN LOSS		500kHz - 40MHz	-18dB min.
RETURN LOSS		40M - 60MHz	-15dB min.
RETURN LOSS		60M - 80MHz	-12dB min.
RETURN LOSS		80M - 100MHz	-10dB min.
CROSSTALK		300kHz - 100MHz	-35dB min.
CMRR		300k - 32MHz	-42dB min.
CMRR		32M - 100MHz	-33dB min.

GENERAL SPECIFICATIONS:

OPERATING TEMPERATURE RANGE: 0°C to +70°C.

COPLANARITY: All 24 terminals must lie on a plane within .004 [.10] of Surface A after lead tinning.

Designed to handle 350mADC and meet 802.3af.

REV.	DATE
6B	2/10
6A	2/08

Packaging Specifications
Method: Tape & Reel
PKG-0653
www.midcom-inc.com

Tolerances unless otherwise specified:
Angles: ±1° Decimals: ±.005 [.13]
Fractions: ±1/64 Footprint: ±.005 [.13]
This drawing is dual dimensioned. Dimensions in brackets are in millimeters.

DRAWING TITLE
TRANSFORMER
Gigabit & PoE
eiSos p/n: 749023016



DRAWING NO.
749023016
REVISIONS: SEE SHEET 1 SCALE --- SHEET 2 OF 6