

# Series 804 Push-Pull Mighty Mouse Receptacle Connector

## 804-003 and 804-004 Ordering Information



Series 804



Front Panel Mount Jam-Nut

**Series 804 Receptacle Connectors** feature integral band platform for direct attachment of cable shield. Install a boot, or overmold directly onto the band platform. Or, choose an accessory thread for attaching strain reliefs and backshells. Three shell styles available including front or rear panel mount jam-nut connectors and in-line receptacles for free-hanging cables. O-rings inside the receptacle provide a dynamic, water tight seal when mated. Gold-plated spring provides secure mechanical retention and low shell-to-shell resistance for excellent EMI shielding. Crimp removable contacts are copper alloy and gold plated.

How To Order						
<b>Sample Part Number</b>	<b>804-003</b>	<b>-01</b>	<b>M</b>	<b>7-10</b>	<b>P</b>	
<b>Series (See Table I)</b>	<b>804-003</b> = Receptacle with Banding Platform <b>804-004</b> = Receptacle with Accessory Thread					
<b>Shell Style (See Table II)</b>	<b>-00</b> = Front Panel Mount Jam-Nut <b>-01</b> = In-Line <b>-07</b> = Rear Panel Mount Jam-Nut					
<b>Shell Material and Finish</b>	<b>C</b> = Aluminum / Black Anodize (Non-Conductive); RoHS Compliant <b>M</b> = Aluminum / Electroless Nickel; RoHS Compliant <b>MT</b> = Aluminum / Nickel-PTFE RoHS Compliant <b>NF</b> = Aluminum / Cadmium with Olive Drab Chromate <b>ZNU</b> = Aluminum / Zinc-Nickel with Black Chromate <b>Z1</b> = Stainless Steel / Passivated; RoHS Compliant					
<b>Shell Size - Insert Arrangement</b>	See Contact Arrangements Page G-2					
<b>Contact Type</b>	<b>Connector supplied without contacts</b> <b>Connector supplied with 30 AWG Crimp Barrel</b> <b>A</b> = Pin, Crimp <b>P</b> = Pin Connector <b>G</b> = Pin, Crimp <b>B</b> = Socket, Crimp <b>S</b> = Socket Connector <b>H</b> = Socket, Crimp Contacts are not installed in connectors supplied with signal and/or power crimp contacts. Coaxial contacts and non-standard signal contacts are ordered separately.					
<b>Polarization (See Table III)</b>	<b>Omit</b> = Single Master Key <b>A</b> = Normal <b>B</b> = Pos. B <b>C</b> = Pos. C <b>D</b> = Pos. D <b>E</b> = Pos. E <b>F</b> = Pos. F					

Table I: Series	
<b>804-003</b> Receptacle with Banding Platform	<b>804-004</b> Receptacle with Accessory Thread

Table II: Shell Style		
<b>-00</b> Jam-Nut for Front Panel Mounting	<b>-01</b> In-Line for Free-Hanging Cable	<b>-07</b> Jam-Nut for Rear Panel Mounting

Table III: Keyway Positions		
Pos.	A°	B°
A	150°	210°
B	75°	210°
C	95°	230°
D	140°	275°
E	75°	275°
F	95°	210°

**NOTES**

1. Contacts are crimp type, and used in a rear release retention system
2. Receptacle connector mates with all push/pull high density plug connectors with same polarization and opposite contact gender
3. Grommet protrudes for power/combo arrangements

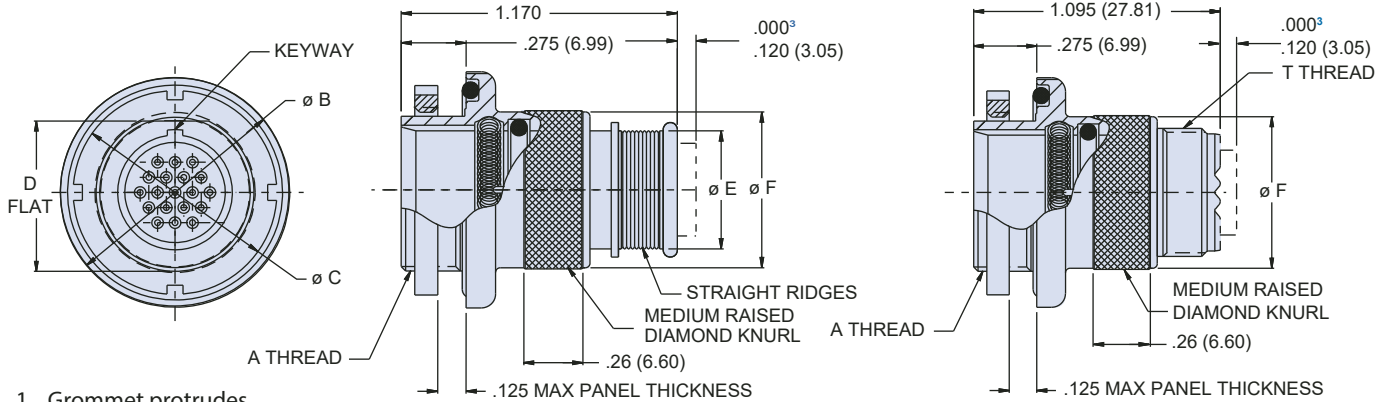
Dimensions in Inches (millimeters) are subject to change without notice.

G

# Series 804 Push-Pull Mighty Mouse Receptacle Connector

## 804-004-07 and 804-003-07 Dimensions

### Jam-nut, rear panel mount receptacle - shell style 07



1. Grommet protrudes for power/combo arrangements

#### Integral Band Platform

804-003-07

#### Accessory Thread

804-004-07

Dimensions							
Shell Size	A Thread	Ø B	Ø C	D Flat	Ø E	Ø F	T Threads
5	.4375-32 UN-2A	.790 (20.07)	.562 (14.27)	.415 (10.54)	.246 (6.25)	.450 (11.43)	.2500-32 UNEF-2A
6	.5000-32 UN-2A	.830 (21.08)	.625 (15.88)	.467 (11.86)	.286 (7.26)	.480 (12.19)	.3125-32 UNEF-2A
7	.6250-28 UN-2A	.900 (22.86)	.750 (19.05)	.594 (15.09)	.390 (9.91)	.580 (14.73)	.4375-28 UNEF-2A
8	.6250-28 UN-2A	.900 (22.86)	.750 (19.05)	.594 (15.09)	.442 (11.23)	.603 (15.32)	.5000-28 UNEF-2A
9	.6875-28 UN-2A	1.000 (25.40)	.812 (20.62)	.655 (16.64)	.500 (12.70)	.695 (17.65)	.5625-24 UNEF-2A
10	.7500-28 UN-2A	1.085 (27.56)	.875 (22.23)	.721 (18.31)	.564 (14.33)	.735 (18.67)	.6250-24 UNEF-2A
11	.8125-28 UN-2A	1.135 (28.83)	.938 (23.83)	.788 (20.02)	.608 (15.44)	.810 (20.57)	.6875-24 UNEF-2A
12	.8750-28 UN-2A	1.180 (29.97)	1.000 (25.40)	.843 (21.41)	.650 (16.51)	.880 (22.35)	.6875-24 UNEF-2A
14	1.0000-28 UN-2A	1.325 (33.65)	1.125 (28.58)	.968 (24.59)	.805 (20.45)	1.010 (25.65)	.9375-20 UNEF-2A

Jam-Nut Rear Panel Mount Cutout Dimensions		
Shell Size	A Flat	Ø B
5	.425 (10.80)	.448 (11.38)
	.421 (10.69)	.443 (11.25)
6	.477 (12.12)	.510 (12.95)
	.473 (12.01)	.505 (12.83)
7	.590 (14.99)	.635 (16.13)
	.586 (14.88)	.630 (16.00)
8	.604 (15.34)	.635 (16.13)
	.600 (15.24)	.630 (16.00)
9	.665 (16.89)	.698 (17.73)
	.661 (16.79)	.693 (17.60)
10	.731 (18.57)	.760 (19.30)
	.727 (18.47)	.755 (19.18)
11	.800 (20.32)	.823 (20.90)
	.796 (20.22)	.880 (22.35)
12	.853 (21.67)	.885 (22.48)
	.849 (21.56)	.880 (22.35)
14	.978 (24.84)	1.010 (25.65)
	.974 (24.74)	1.005 (25.53)

#### Material and Finish

- Shell, jam-nut: aluminum alloy or CRES / see how to order table
- Insulator: LCP
- Interfacial seal, O-ring, grommet: fluorosilicone / N.A.
- Contact: copper alloy / gold plate per ASTM B 488, Type II, Code C, Class 1.25, over suitable underplate
- Spring: CRES / gold plated

Dimensions in Inches (millimeters) are subject to change without notice.

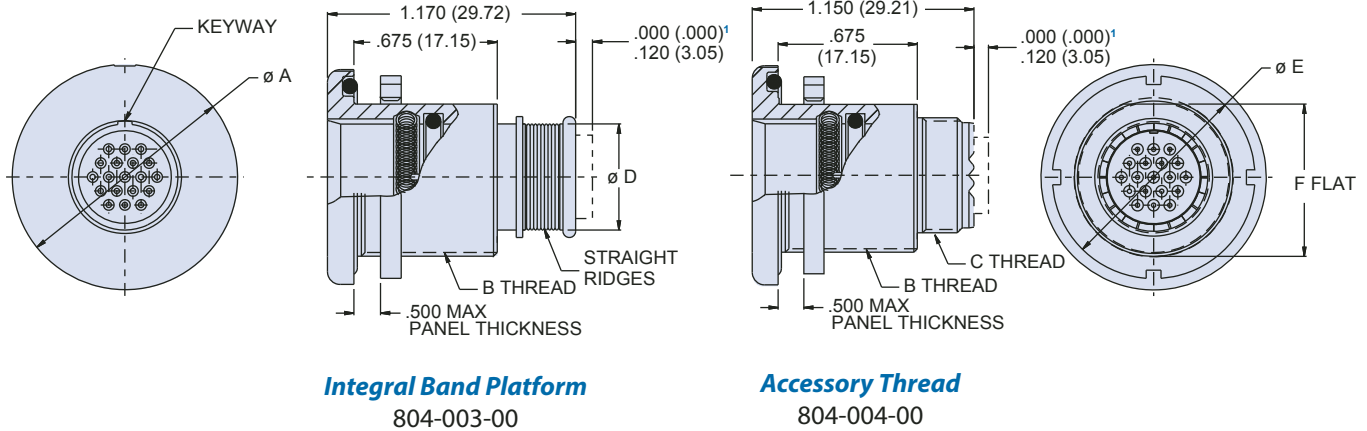
# Series 804 Push-Pull Mighty Mouse Receptacle Connector

## 804-004-00 and 804-003-00 Dimensions



Series 804

### Jam-nut, front panel mount receptacle - shell style 00



**Integral Band Platform**  
804-003-00

**Accessory Thread**  
804-004-00

Dimensions						
Shell Size	Ø A	B Threads	C Threads	Ø D	Ø E	F Flat
5	.830 (21.08)	.5000-32 UN-2A	.2500-32 UNEF-2A	.246 (6.25)	.625 (15.88)	.470 (11.94)
6	.885 (22.48)	.5625-32 UN-2A	.3125-32 UNEF-2A	.286 (7.26)	.688 (17.48)	.530 (13.46)
7	.995 (25.27)	.6875-28 UN-2A	.4375-28 UNEF-2A	.390 (9.91)	.812 (20.62)	.663 (16.84)
8	.995 (25.27)	.6875-28 UN-2A	.5000-28 UNEF-2A	.442 (11.23)	.812 (20.62)	.663 (16.84)
9	1.075 (27.30)	.7500-28 UN-2A	.5625-24 UNEF-2A	.500 (12.70)	.875 (22.23)	.720 (18.29)
10	1.140 (28.96)	.8125-28 UN-2A	.6250-24 UNEF-2A	.564 (14.33)	.938 (23.83)	.788 (20.02)
11	1.190 (30.23)	.8750-28 UN-2A	.6875-24 UNEF-2A	.608 (15.44)	1.000 (25.40)	.843 (21.41)
12	1.340 (34.04)	1.0000-28 UN-2A	.6875-24 UNEF-2A	.650 (16.51)	1.125 (28.58)	.970 (24.64)
14	1.390 (35.31)	1.0620-20 UN-2A	.9375-20 UNEF-2A	.805 (20.45)	1.162 (29.51)	1.020 (25.91)

Jam-Nut Front Panel Mount Cutout Dimensions		
Shell Size	N Flat	Ø M
5	.482 (12.24) .478 (12.14)	.510 (12.95)
6	.542 (13.77) .538 (13.67)	.575 (14.60)
7	.676 (17.17) .671 (17.04)	.698 (17.73)
8	.676 (17.17) .671 (17.04)	.698 (17.73)
9	.732 (18.59) .728 (18.49)	.760 (19.30)
10	.801 (20.35) .796 (20.22)	.822 (20.88)
11	.855 (21.72) .851 (21.62)	.885 (22.48)
12	.982 (24.94) .978 (24.84)	1.010 (25.65)
14	1.032 (26.21) 1.028 (26.11)	1.075 (27.30)

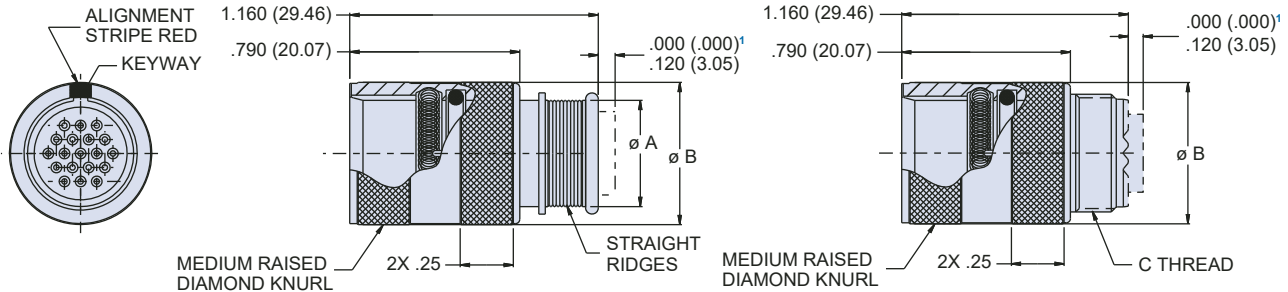
#### Material and Finish

- Shell: aluminum alloy or CRES / see how to order table
- Insulator: LCP
- Interfacial seal, O-ring, grommet: fluorosilicone / N.A.
- Contact: copper alloy / gold plate per ASTM B 488, Type II, Code C, Class 1.25, over suitable underplate
- Spring: CRES / gold plated

Dimensions in Inches (millimeters) are subject to change without notice.

G

### Cable receptacle - shell style 01



#### Integral Band Platform

804-003-01

#### Accessory Thread

804-004-01

Dimensions			
Shell Size	Ø A	Ø B	C Threads
5	.246 (6.25)	.450 (11.43)	.2500-32 UNEF-2A
6	.286 (7.26)	.480 (12.19)	.3125-32 UNEF-2A
7	.390 (9.91)	.580 (14.73)	.4375-28 UNEF-2A
8	.442 (11.23)	.603 (15.32)	.5000-28 UNEF-2A
9	.500 (12.70)	.695 (17.65)	.5625-24 UNEF-2A
10	.564 (14.33)	.735 (18.67)	.6250-24 UNEF-2A
11	.608 (15.44)	.810 (20.57)	.6875-24 UNEF-2A
12	.650 (16.51)	.880 (22.35)	.6875-24 UNEF-2A
14	.805 (20.45)	1.010 (25.65)	.9375-20 UNEF-2A

#### Material and Finish

- Shell: aluminum alloy or CRES / see how to order table
- Insulator: LCP
- Interfacial seal, O-ring, grommet: fluorosilicone / N.A.
- Contact: copper alloy / gold plate per ASTM B 488, Type II, Code C, Class 1.25, over suitable underplate
- Spring: CRES / gold plated

Dimensions in Inches (millimeters) are subject to change without notice.