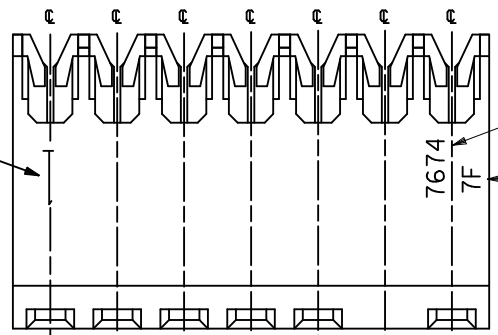


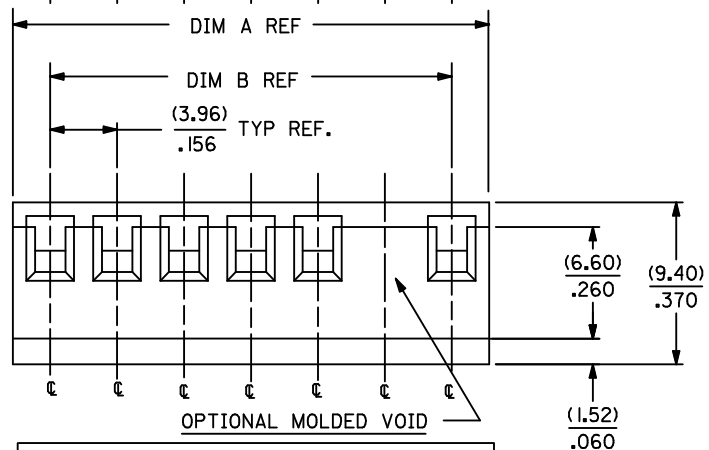
**NOTES:**

1. MATERIAL: HOUSING - NYLON 6/6, UL94V-2, COLOR: NATURAL  
TERMINALS - BRASS, (0.28)/.011 THICK
2. FINISH: SEE SHEET 2
3. PRODUCT SPECIFICATION: PS-7660
4. PACKAGING: ALL PARTS ARE TO BE BULK PACKED PER PK-7674-001 UNLESS OTHERWISE SPECIFIED IN CHART.
5. CHAIN CUTOFF: "A" DIMENSION PLUS (0.25)/.010.
6. EACH CIRCUIT MUST HAVE A MINIMUM OF 0.50 POUNDS RETENTION WHEN CHECKED WITH A TIN PLATED [(102) PLT.] (1.14)/.045 SQUARE BRASS PIN, AND A TIN PLATED [(102) PLT.] TERMINAL ONLY.
7. THIS PART CONFORMS TO CLASS B REQUIREMENTS OF COSMETIC SPECIFICATION PS-45499-002.

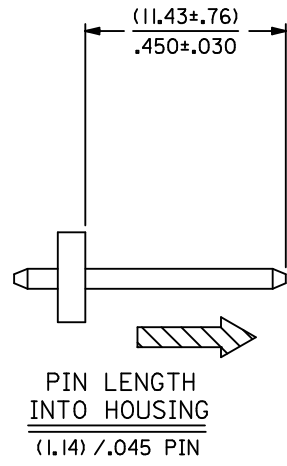
CIRCUIT NO. 1



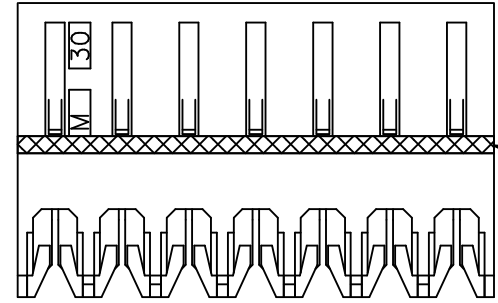
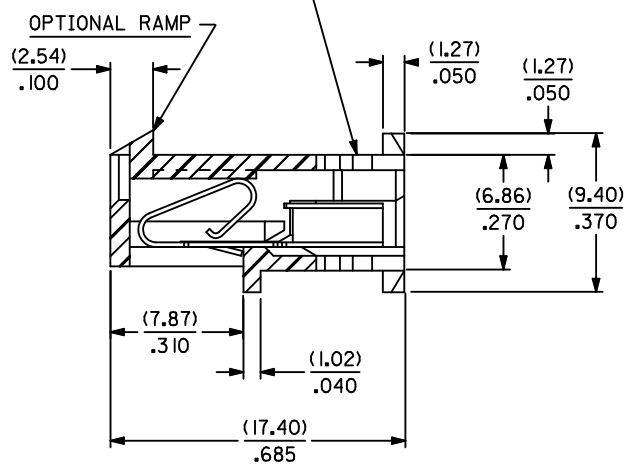
SERIES NUMBER  
7674  
7F  
CIRCUIT SIZE (7)  
MOLDED VOID LOCATION (F)  
SHOWN FOR REFERENCE



OPTIONAL MOLDED VOID



BACKWALL OPTION / OPEN OR CLOSED  
(OPEN BACKWALL SHOWN)



COLOR STRIPE RUNNING  
LENGTH OF HOUSING  
LOCATED ON RIB (SEE CHART)

|                     |             |
|---------------------|-------------|
| ADD P/N 50-36-1618  | 2009/11/05  |
| EC NO: UCP2010-0214 | 2009/12/16  |
| DRWN:MKIPPER        | 2009/12/17  |
| CHKD:SSOUSEK        |             |
| APPR:FSM:TH         |             |
| REV                 | DESCRIPTION |
| A23                 |             |

|                 |
|-----------------|
| QUALITY SYMBOLS |
| ▼=0             |
| ∇=0             |

|  |        |        |
|--|--------|--------|
| GENERAL TOLERANCES (UNLESS SPECIFIED)                |        |        |
|  | mm     | INCH   |
| 4 PLACES   | ± ---  | ± ---  |
| 3 PLACES   | ± ---  | ± .015 |
| 2 PLACES   | ± 0.36 | ± .010 |
| 1 PLACE  | ± 0.25 | ± ---  |
| ANGULAR ±1/2°  |        |        |
| DRAFT WHERE APPLICABLE MUST REMAIN WITHIN DIMENSIONS |        |        |

|                           |            |
|---------------------------|------------|
| DIMENSION STYLE<br>MM/IN  |            |
| DRAWN BY                  | DATE       |
| CHECKED BY                | DATE       |
| APPROVED BY               | DATE       |
| WRL                       | 1986/02/14 |
| MATERIAL NO.<br>SEE CHART |            |
| SIZE<br>A                 |            |

|   |                      |                        |
|---|----------------------|------------------------|
| SCALE<br>---  | DESIGN UNITS<br>INCH | THIRD ANGLE PROJECTION |
| TITLE<br>CONNECTOR ASSEMBLY<br>KK (3.96)/.156 CENTER<br>INSULATION DISPLACEMENT |                      |                        |
| MOLEX INCORPORATED  |                      |                        |
| MATERIAL NO.<br>SDA-7675-****   | DOCUMENT NO.         | SHEET NO.<br>1 OF *    |

| CIRCUIT SIZE | DIM. "A"         | DIM. "B"         | CIRCUIT SIZE | DIM. "A"         | DIM. "B"         |
|--------------|------------------|------------------|--------------|------------------|------------------|
| 2            | (8.38)<br>.330   | (3.96)<br>.156   | 13           | (51.97)<br>2.046 | (47.55)<br>1.872 |
| 3            | (12.34)<br>.486  | (7.92)<br>.312   | 14           | (55.93)<br>2.202 | (51.51)<br>2.028 |
| 4            | (16.31)<br>.642  | (11.89)<br>.468  | 15           | (59.89)<br>2.358 | (55.47)<br>2.184 |
| 5            | (20.27)<br>.798  | (15.85)<br>.624  | 16           | (63.86)<br>2.514 | (59.44)<br>2.340 |
| 6            | (24.23)<br>.954  | (19.81)<br>.780  | 17           | (67.82)<br>2.670 | (63.40)<br>2.496 |
| 7            | (28.19)<br>1.110 | (23.77)<br>.936  | 18           | (71.78)<br>2.826 | (67.36)<br>2.652 |
| 8            | (32.16)<br>1.266 | (27.74)<br>1.092 | 19           | (75.74)<br>2.982 | (71.32)<br>2.808 |
| 9            | (36.12)<br>1.422 | (31.70)<br>1.248 | 20           | (79.71)<br>3.138 | (75.29)<br>2.964 |
| 10           | (40.08)<br>1.578 | (35.66)<br>1.404 | 21           | (83.67)<br>3.294 | (79.25)<br>3.120 |
| 11           | (44.04)<br>1.734 | (39.62)<br>1.560 | 22           | (87.63)<br>3.450 | (83.21)<br>3.276 |
| 12           | (48.00)<br>1.890 | (43.59)<br>1.716 | 23           | (91.59)<br>3.606 | (87.17)<br>3.432 |
|              |                  |                  | 24           | (95.55)<br>3.762 | (91.14)<br>3.588 |

| COLOR IDENTIFICATION |        | TYPE OF WIRE TERMINATED<br>(ALL WIRES HAVE A MAXIMUM<br>INSULATION DIAMETER OF<br>(2.41) / .095) |
|----------------------|--------|--|
| ASSEMBLY SUFFIX NO.  | COLOR  |  |
| -*NA*                | YELLOW | *18 GA. SOLID OR<br>FUSED STRANDED   |
| -*NM*                | RED    | *20 GA. SOLID OR FUSED<br>STRANDED & *18 GA. STRANDED  |
| -*NL*                | BLUE   | *20 GA. STRANDED WIRE  |
| -*ND*                | GREEN  | *26 & *27 GA. STRANDED, FUSED<br>STRANDED & SOLID WIRE OR<br>*24 GA. STRANDED WIRE               |
| -*NJ*                | BLACK  | *24 & *22 GA. SOLID OR FUSED   |

TERMINAL FINISH:

- (102) OVERALL BRIGHT TIN: 0.00508/.000200 MIN. OVER  
COPPER: 0.00254/.000100 MIN.
- (154) OVERALL BRIGHT TIN: 0.00254/.000100 MIN. OVER  
NICKEL: 0.00127/.000050 MIN.
- (224) OVERALL MATTE TIN: 0.00508/.000200 MIN. OVER  
NICKEL: 0.00127/.000050 MIN.
- (208) SELECT GOLD: 0.00038/.000015 MIN.  
SELECT MATTE TIN: 0.00254/.000100 MIN.  
WITH OVERALL NICKEL UNDERPLATE: 0.00127/.000050 MIN.
- (502) OVERALL GOLD: 0.00051/.000020 MIN.  
WITH OVERALL NICKEL UNDERPLATE: 0.00127/.000050 MIN.
- (503) OVERALL GOLD: 0.00076/.000030 MIN.  
WITH OVERALL NICKEL UNDERPLATE: 0.00127/.000050 MIN.
- (555) SELECT GOLD: 0.00038/.000015 MIN.  
WITH OVERALL NICKEL UNDERPLATE: 0.00076/.000030 MIN.
- (562) SELECT GOLD: 0.00051/.000020 MIN.  
WITH OVERALL NICKEL UNDERPLATE: 0.00076/.000030 MIN.
- (565) SELECT GOLD: 0.00051/.000020 MIN.  
OVERALL GOLD FLASH: 0.00005/.000002 MIN.  
WITH OVERALL NICKEL UNDERPLATE: 0.00076/.000030 MIN.

|  |                 |  |               |                          |  |               |  |                        |           |  |
|--|-----------------|--|---------------|--------------------------|--|---------------|--|------------------------|-----------|--|
| ADD 224 FINISH<br>EC NO: UCP2010-0214<br>DRWN:MKIPPER 2009/11/05<br>CHKD:SSOUSEK 2009/12/16<br>APPR:FSM:TH 2009/12/17<br>DESCRIPTION | QUALITY SYMBOLS | GENERAL TOLERANCES (UNLESS SPECIFIED)                      |               | DIMENSION STYLE<br>MM/IN |  | SCALE<br>---  | DESIGN UNITS<br>INCH   | THIRD ANGLE PROJECTION |           |  |
|  |                 |  | mm            | INCH                     | DRAWN BY   | DATE          | TITLE  |                        |           |  |
|  |                 | 4 PLACES   | ± ---         | ± ---                    | CHECKED BY   | DATE          | CONNECTOR ASSEMBLY<br>KK (3.96)/.156 CENTER<br>INSULATION DISPLACEMENT<br>MOLEX INCORPORATED |                        |           |  |
|  |                 | 3 PLACES   | ± ---         | ± .015                   | APPROVED BY  | DATE          |  |                        |           |  |
| 2 PLACES   | ± 0.36          | ± .01  | ANGULAR ±1/2° |                          | WRL  | 1986/02/14    | MATERIAL NO.   | DOCUMENT NO.           | SHEET NO. |  |
| A33  | REV             | DRAFT WHERE APPLICABLE<br>MUST REMAIN<br>WITHIN DIMENSIONS |               | SEE CHART                |  | SDA-7675-**** |  | 2 OF *                 |           |  |
|  |                 |  |               | SIZE<br>A                | THIS DRAWING CONTAINS INFORMATION THAT IS PROPRIETARY TO MOLEX<br>INCORPORATED AND SHOULD NOT BE USED WITHOUT WRITTEN PERMISSION |               |  |                        |           |  |

| A-7675-ANA       |              | A-7675-BNA       |              | A-7675-CNA       |              | A-7675-DNA               |              |
|------------------|--------------|------------------|--------------|------------------|--------------|--------------------------|--------------|
| HOUSING          | 7674-AN      | HOUSING          | 7674-BN      | HOUSING          | 7674-CN      | HOUSING                  | 7674-DN      |
| TERM. NO         | 40591-A(224) | TERM. NO         | 40591-A(224) | TERM. NO         | 40591-A(224) | TERM. NO                 | 40591-A(224) |
| BACKWALL:        | NO           | BACKWALL:        | NO           | BACKWALL:        | YES          | BACKWALL:                | YES          |
| RAMP             | NO           | RAMP             | YES          | RAMP             | NO           | RAMP                     | YES          |
| MOLD VOID IN CKT | NONE         | MOLD VOID IN CKT | NONE         | MOLD VOID IN CKT | NONE         | MOLD VOID IN CKT         | NONE         |
| VOID TERM.IN CKT | NONE         | VOID TERM.IN CKT | NONE         | VOID TERM.IN CKT | NONE         | VOID TERM.IN CKT         | NONE         |
| MATL NO          | ENG NO:      | MATL NO          | ENG NO:      | MATL NO          | ENG NO:      | MATL NO                  | ENG NO:      |
| 09-07-0027       | A-7675-A02A  | 09-06-0027       | A-7675-B02A  | 09-07-0028       | A-7675-C02A  | 09-06-0028               | A-7675-D02A  |
| 09-07-0037       | A-7675-A03A  | 09-06-0037       | A-7675-B03A  | 09-07-0038       | A-7675-C03A  | 09-06-0038               | A-7675-D03A  |
| 09-07-0047       | A-7675-A04A  | 09-06-0047       | A-7675-B04A  | 09-07-0048       | A-7675-C04A  | 09-06-0048               | A-7675-D04A  |
| 09-07-0057       | A-7675-A05A  | 09-06-0057       | A-7675-B05A  | 09-07-0058       | A-7675-C05A  | 09-06-0058<br>50-36-1618 | A-7675-D05A  |
| 09-07-0067       | A-7675-A06A  | 09-06-0067       | A-7675-B06A  | 09-07-0068       | A-7675-C06A  | 09-06-0068               | A-7675-D06A  |
| 09-07-0077       | A-7675-A07A  | 09-06-0077       | A-7675-B07A  | 09-07-0078       | A-7675-C07A  | 09-06-0078               | A-7675-D07A  |
| 09-07-0087       | A-7675-A08A  | 09-06-0087       | A-7675-B08A  | 09-07-0088       | A-7675-C08A  | 09-06-0088               | A-7675-D08A  |
| 09-07-0097       | A-7675-A09A  | 09-06-0097       | A-7675-B09A  | 09-07-0098       | A-7675-C09A  | 09-06-0098               | A-7675-D09A  |
| 09-07-0107       | A-7675-A10A  | 09-06-0107       | A-7675-B10A  | 09-07-0108       | A-7675-C10A  | 09-06-0108               | A-7675-D10A  |
| 09-07-0117       | A-7675-A11A  | 09-06-0117       | A-7675-B11A  | 09-07-0118       | A-7675-C11A  | 09-06-0118               | A-7675-D11A  |
| 09-07-0127       | A-7675-A12A  | 09-06-0127       | A-7675-B12A  | 09-07-0128       | A-7675-C12A  | 09-06-0128               | A-7675-D12A  |
| 09-07-0137       | A-7675-A13A  | 09-06-0137       | A-7675-B13A  | 09-07-0138       | A-7675-C13A  | 09-06-0138               | A-7675-D13A  |
| 09-07-0147       | A-7675-A14A  | 09-06-0147       | A-7675-B14A  | 09-07-0148       | A-7675-C14A  | 09-06-0148               | A-7675-D14A  |
| 09-07-0157       | A-7675-A15A  | 09-06-0157       | A-7675-B15A  | 09-07-0158       | A-7675-C15A  | 09-06-0158               | A-7675-D15A  |
| 09-07-0167       | A-7675-A16A  | 09-06-0167       | A-7675-B16A  | 09-07-0168       | A-7675-C16A  | 09-06-0168               | A-7675-D16A  |
| 09-07-0177       | A-7675-A17A  | 09-06-0177       | A-7675-B17A  | 09-07-0178       | A-7675-C17A  | 09-06-0178               | A-7675-D17A  |
| 09-07-0187       | A-7675-A18A  | 09-06-0187       | A-7675-B18A  | 09-07-0188       | A-7675-C18A  | 09-06-0188               | A-7675-D18A  |
| 09-07-0197       | A-7675-A19A  | 09-06-0197       | A-7675-B19A  | 09-07-0198       | A-7675-C19A  | 09-06-0198               | A-7675-D19A  |
| 09-07-0207       | A-7675-A20A  | 09-06-0207       | A-7675-B20A  | 09-07-0208       | A-7675-C20A  | 09-06-0208               | A-7675-D20A  |
| 09-07-0217       | A-7675-A21A  | 09-06-0217       | A-7675-B21A  | 09-07-0218       | A-7675-C21A  | 09-06-0218               | A-7675-D21A  |
| 09-07-0227       | A-7675-A22A  | 09-06-0227       | A-7675-B22A  | 09-07-0228       | A-7675-C22A  | 09-06-0228               | A-7675-D22A  |
| 09-07-0237       | A-7675-A23A  | 09-06-0237       | A-7675-B23A  | 09-07-0238       | A-7675-C23A  | 09-06-0238               | A-7675-D23A  |
| 09-07-0247       | A-7675-A24A  | 09-06-0247       | A-7675-B24A  | 09-07-0248       | A-7675-C24A  | 09-06-0248               | A-7675-D24A  |

|  |  |   |                               |
|--|--|---|-------------------------------|
| REVISION:<br><b>AZ3</b>                  | ECR/ECN INFORMATION:<br>EC No.: <b>UCP2010-0214</b><br>DATE: <b>12/17/2009</b> | TITLE:<br><b>CONNECTOR ASSEMBLY<br/>KK (3.96)/.156 CENTER<br/>INSULATION DISPLACEMENT</b> | SHEET No.<br><b>3</b>         |
| DOCUMENT NUMBER:<br><b>SDA-7675-****</b> | CREATED / REVISED BY:<br><b>MKIPPER</b>  | CHECKED BY:<br><b>SSOUSEK</b>   | APPROVED BY:<br><b>FSMITH</b> |

| A-7675-ANAA      |              | A-7675-BNAA      |              | A-7675-CNAA      |              | A-7675-DNAA      |              |
|------------------|--------------|------------------|--------------|------------------|--------------|------------------|--------------|
| HOUSING          | 7674-ANAA    | HOUSING          | 7674-BNAA    | HOUSING          | 7674-CNAA    | HOUSING          | 7674-DNAA    |
| TERM. NO         | 40591-A(502) | TERM. NO         | 40591-A(502) | TERM. NO         | 40591-A(502) | TERM. NO         | 40591-A(502) |
| BACKWALL:        | NO           | BACKWALL:        | NO           | BACKWALL:        | YES          | BACKWALL:        | YES          |
| RAMP             | NO           | RAMP             | YES          | RAMP             | NO           | RAMP             | YES          |
| MOLD VOID IN CKT | NONE         | MOLD VOID IN CKT | NONE         | MOLD VOID IN CKT | NONE         | MOLD VOID IN CKT | NONE         |
| VOID TERM.IN CKT | NONE         | VOID TERM.IN CKT | NONE         | VOID TERM.IN CKT | NONE         | VOID TERM.IN CKT | NONE         |
| MATL NO          | ENG NO:      | MATL NO          | ENG NO:      | MATL NO          | ENG NO:      | MATL NO          | ENG NO:      |
|                  | A-7675-A02AA |                  | A-7675-B02AA |                  | A-7675-C02AA |                  | A-7675-D02AA |
|                  | A-7675-A03AA |                  | A-7675-B03AA |                  | A-7675-C03AA |                  | A-7675-D03AA |
|                  | A-7675-A04AA |                  | A-7675-B04AA |                  | A-7675-C04AA |                  | A-7675-D04AA |
|                  | A-7675-A05AA |                  | A-7675-B05AA |                  | A-7675-C05AA |                  | A-7675-D05AA |
|                  | A-7675-A06AA |                  | A-7675-B06AA |                  | A-7675-C06AA |                  | A-7675-D06AA |
|                  | A-7675-A07AA |                  | A-7675-B07AA |                  | A-7675-C07AA |                  | A-7675-D07AA |
|                  | A-7675-A08AA |                  | A-7675-B08AA |                  | A-7675-C08AA |                  | A-7675-D08AA |
|                  | A-7675-A09AA |                  | A-7675-B09AA |                  | A-7675-C09AA |                  | A-7675-D09AA |
|                  | A-7675-A10AA |                  | A-7675-B10AA | 26-32-0103       | A-7675-C10AA |                  | A-7675-D10AA |
|                  | A-7675-A11AA |                  | A-7675-B11AA |                  | A-7675-C11AA |                  | A-7675-D11AA |
|                  | A-7675-A12AA |                  | A-7675-B12AA |                  | A-7675-C12AA |                  | A-7675-D12AA |
|                  | A-7675-A13AA |                  | A-7675-B13AA |                  | A-7675-C13AA |                  | A-7675-D13AA |
|                  | A-7675-A14AA |                  | A-7675-B14AA |                  | A-7675-C14AA |                  | A-7675-D14AA |
|                  | A-7675-A15AA |                  | A-7675-B15AA |                  | A-7675-C15AA |                  | A-7675-D15AA |
|                  | A-7675-A16AA |                  | A-7675-B16AA | 26-32-0163       | A-7675-C16AA |                  | A-7675-D16AA |
|                  | A-7675-A17AA |                  | A-7675-B17AA |                  | A-7675-C17AA |                  | A-7675-D17AA |
|                  | A-7675-A18AA |                  | A-7675-B18AA |                  | A-7675-C18AA |                  | A-7675-D18AA |
|                  | A-7675-A19AA |                  | A-7675-B19AA |                  | A-7675-C19AA |                  | A-7675-D19AA |
|                  | A-7675-A20AA |                  | A-7675-B20AA |                  | A-7675-C20AA |                  | A-7675-D20AA |
|                  | A-7675-A21AA |                  | A-7675-B21AA |                  | A-7675-C21AA |                  | A-7675-D21AA |
|                  | A-7675-A22AA |                  | A-7675-B22AA |                  | A-7675-C22AA |                  | A-7675-D22AA |
|                  | A-7675-A23AA |                  | A-7675-B23AA |                  | A-7675-C23AA |                  | A-7675-D23AA |
|                  | A-7675-A24AA |                  | A-7675-B24AA |                  | A-7675-C24AA |                  | A-7675-D24AA |

|  |  |   |                               |
|--|--|---|-------------------------------|
| REVISION:<br><b>AZ3</b>                  | ECR/ECN INFORMATION:<br>EC No.: <b>UCP2010-0214</b><br>DATE: <b>12/17/2009</b> | TITLE:<br><b>CONNECTOR ASSEMBLY<br/>KK (3.96)/.156 CENTER<br/>INSULATION DISPLACEMENT</b> | SHEET No.<br><b>4</b>         |
| DOCUMENT NUMBER:<br><b>SDA-7675-****</b> | CREATED / REVISED BY:<br><b>MKIPPER</b>  | CHECKED BY:<br><b>SSOUSEK</b>   | APPROVED BY:<br><b>FSMITH</b> |

| A-7675-ANAH                              |  | A-7675-BNAH                   |   | A-7675-CNAH      |              | A-7675-DNAH      |                       |
|--|--|-------------------------------|---|------------------|--------------|------------------|-----------------------|
| HOUSING                                  | 7674-ANAH  | HOUSING                       | 7674-BNAH   | HOUSING          | 7674-CNAH    | HOUSING          | 7674-DNAH             |
| TERM. NO                                 | 40591-A(555)   | TERM. NO                      | 40591-A(555)  | TERM. NO         | 40591-A(555) | TERM. NO         | 40591-A(555)          |
| BACKWALL:                                | NO   | BACKWALL:                     | NO  | BACKWALL:        | YES          | BACKWALL:        | YES                   |
| RAMP                                     | NO   | RAMP                          | YES   | RAMP             | NO           | RAMP             | YES                   |
| MOLD VOID IN CKT                         | NONE   | MOLD VOID IN CKT              | NONE  | MOLD VOID IN CKT | NONE         | MOLD VOID IN CKT | NONE                  |
| VOID TERM.IN CKT                         | NONE   | VOID TERM.IN CKT              | NONE  | VOID TERM.IN CKT | NONE         | VOID TERM.IN CKT | NONE                  |
| MATL NO                                  | ENG NO:  | MATL NO                       | ENG NO:   | MATL NO          | ENG NO:      | MATL NO          | ENG NO:               |
|  | A-7675-A02AH   | 26-32-9024                    | A-7675-B02AH  |                  | A-7675-C02AH | 26-32-9020       | A-7675-D02AH          |
|  | A-7675-A03AH   | 26-32-9034                    | A-7675-B03AH  |                  | A-7675-C03AH | 26-32-9030       | A-7675-D03AH          |
|  | A-7675-A04AH   | 26-32-9044                    | A-7675-B04AH  |                  | A-7675-C04AH | 26-32-9040       | A-7675-D04AH          |
|  | A-7675-A05AH   |                               | A-7675-B05AH  |                  | A-7675-C05AH | 26-32-9050       | A-7675-D05AH          |
|  | A-7675-A06AH   | 26-32-9064                    | A-7675-B06AH  |                  | A-7675-C06AH | 26-32-9060       | A-7675-D06AH          |
|  | A-7675-A07AH   |                               | A-7675-B07AH  |                  | A-7675-C07AH | 26-32-9070       | A-7675-D07AH          |
|  | A-7675-A08AH   | 26-32-9084                    | A-7675-B08AH  |                  | A-7675-C08AH | 26-32-9080       | A-7675-D08AH          |
|  | A-7675-A09AH   |                               | A-7675-B09AH  |                  | A-7675-C09AH | 26-32-9090       | A-7675-D09AH          |
|  | A-7675-A10AH   |                               | A-7675-B10AH  |                  | A-7675-C10AH | 26-32-9100       | A-7675-D10AH          |
|  | A-7675-A11AH   |                               | A-7675-B11AH  |                  | A-7675-C11AH | 26-32-9110       | A-7675-D11AH          |
|  | A-7675-A12AH   |                               | A-7675-B12AH  |                  | A-7675-C12AH | 26-32-9120       | A-7675-D12AH          |
|  | A-7675-A13AH   |                               | A-7675-B13AH  |                  | A-7675-C13AH | 26-32-9130       | A-7675-D13AH          |
|  | A-7675-A14AH   |                               | A-7675-B14AH  |                  | A-7675-C14AH | 26-32-9140       | A-7675-D14AH          |
|  | A-7675-A15AH   |                               | A-7675-B15AH  |                  | A-7675-C15AH | 26-32-9150       | A-7675-D15AH          |
|  | A-7675-A16AH   |                               | A-7675-B16AH  |                  | A-7675-C16AH | 26-32-9160       | A-7675-D16AH          |
|  | A-7675-A17AH   |                               | A-7675-B17AH  |                  | A-7675-C17AH | 26-32-9170       | A-7675-D17AH          |
|  | A-7675-A18AH   |                               | A-7675-B18AH  |                  | A-7675-C18AH | 26-32-9180       | A-7675-D18AH          |
|  | A-7675-A19AH   |                               | A-7675-B19AH  |                  | A-7675-C19AH | 26-32-9190       | A-7675-D19AH          |
|  | A-7675-A20AH   |                               | A-7675-B20AH  |                  | A-7675-C20AH | 26-32-9200       | A-7675-D20AH          |
|  | A-7675-A21AH   |                               | A-7675-B21AH  |                  | A-7675-C21AH | 26-32-9210       | A-7675-D21AH          |
|  | A-7675-A22AH   |                               | A-7675-B22AH  |                  | A-7675-C22AH | 26-32-9220       | A-7675-D22AH          |
|  | A-7675-A23AH   |                               | A-7675-B23AH  |                  | A-7675-C23AH | 26-32-9230       | A-7675-D23AH          |
|  | A-7675-A24AH   |                               | A-7675-B24AH  |                  | A-7675-C24AH | 26-32-9240       | A-7675-D24AH          |
| REVISION:<br><b>AZ3</b>                  | ECR/ECN INFORMATION:<br>EC No.: <b>UCP2010-0214</b><br>DATE: <b>12/17/2009</b> | TITLE:                        | <b>CONNECTOR ASSEMBLY<br/>KK (3.96)/.156 CENTER<br/>INSULATION DISPLACEMENT</b> |                  |              |                  | SHEET No.<br><b>5</b> |
| DOCUMENT NUMBER:<br><b>SDA-7675-****</b> | CREATED / REVISED BY:<br><b>MKIPPER</b>  | CHECKED BY:<br><b>SSOUSEK</b> | APPROVED BY:<br><b>FSMITH</b>   |                  |              |                  |                       |



| A-7675-AND                               |  | A-7675-BND  |                               | A-7675-CND       |              | A-7675-DND       |              |
|--|--|---|-------------------------------|------------------|--------------|------------------|--------------|
| HOUSING                                  | 7674-AN  | HOUSING   | 7674-BN                       | HOUSING          | 7674-CN      | HOUSING          | 7674-DN      |
| TERM. NO                                 | 40591-D(102)   | TERM. NO  | 40591-D(102)                  | TERM. NO         | 40591-D(102) | TERM. NO         | 40591-D(102) |
| BACKWALL:                                | NO   | BACKWALL:   | NO                            | BACKWALL:        | YES          | BACKWALL:        | YES          |
| RAMP                                     | NO   | RAMP  | YES                           | RAMP             | NO           | RAMP             | YES          |
| MOLD VOID IN CKT                         | NONE   | MOLD VOID IN CKT  | NONE                          | MOLD VOID IN CKT | NONE         | MOLD VOID IN CKT | NONE         |
| VOID TERM.IN CKT                         | NONE   | VOID TERM.IN CKT  | NONE                          | VOID TERM.IN CKT | NONE         | VOID TERM.IN CKT | NONE         |
| MATL NO                                  | ENG NO:  | MATL NO   | ENG NO:                       | MATL NO          | ENG NO:      | MATL NO          | ENG NO:      |
| 09-07-3027                               | A-7675-A02D  | 09-06-3027  | A-7675-B02D                   | 09-07-3028       | A-7675-C02D  | 09-06-3028       | A-7675-D02D  |
| 09-07-3037                               | A-7675-A03D  | 09-06-3037  | A-7675-B03D                   | 09-07-3038       | A-7675-C03D  | 09-06-3038       | A-7675-D03D  |
| 09-07-3047                               | A-7675-A04D  | 09-06-3047  | A-7675-B04D                   | 09-07-3048       | A-7675-C04D  | 09-06-3048       | A-7675-D04D  |
| 09-07-3057                               | A-7675-A05D  | 09-06-3057  | A-7675-B05D                   | 09-07-3058       | A-7675-C05D  | 09-06-3058       | A-7675-D05D  |
| 09-07-3067                               | A-7675-A06D  | 09-06-3067  | A-7675-B06D                   | 09-07-3068       | A-7675-C06D  | 09-06-3068       | A-7675-D06D  |
| 09-07-3077                               | A-7675-A07D  | 09-06-3077  | A-7675-B07D                   | 09-07-3078       | A-7675-C07D  | 09-06-3078       | A-7675-D07D  |
| 09-07-3087                               | A-7675-A08D  | 09-06-3087  | A-7675-B08D                   | 09-07-3088       | A-7675-C08D  | 09-06-3088       | A-7675-D08D  |
| 09-07-3097                               | A-7675-A09D  | 09-06-3097  | A-7675-B09D                   | 09-07-3098       | A-7675-C09D  | 09-06-3098       | A-7675-D09D  |
| 09-07-3107                               | A-7675-A10D  | 09-06-3107  | A-7675-B10D                   | 09-07-3108       | A-7675-C10D  | 09-06-3108       | A-7675-D10D  |
| 09-07-3117                               | A-7675-A11D  | 09-06-3117  | A-7675-B11D                   | 09-07-3118       | A-7675-C11D  | 09-06-3118       | A-7675-D11D  |
| 09-07-3127                               | A-7675-A12D  | 09-06-3127  | A-7675-B12D                   | 09-07-3128       | A-7675-C12D  | 09-06-3128       | A-7675-D12D  |
| 09-07-3137                               | A-7675-A13D  | 09-06-3137  | A-7675-B13D                   | 09-07-3138       | A-7675-C13D  | 09-06-3138       | A-7675-D13D  |
| 09-07-3147                               | A-7675-A14D  | 09-06-3147  | A-7675-B14D                   | 09-07-3148       | A-7675-C14D  | 09-06-3148       | A-7675-D14D  |
| 09-07-3157                               | A-7675-A15D  | 09-06-3157  | A-7675-B15D                   | 09-07-3158       | A-7675-C15D  | 09-06-3158       | A-7675-D15D  |
| 09-07-3167                               | A-7675-A16D  | 09-06-3167  | A-7675-B16D                   | 09-07-3168       | A-7675-C16D  | 09-06-3168       | A-7675-D16D  |
| 09-07-3177                               | A-7675-A17D  | 09-06-3177  | A-7675-B17D                   | 09-07-3178       | A-7675-C17D  | 09-06-3178       | A-7675-D17D  |
| 09-07-3187                               | A-7675-A18D  | 09-06-3187  | A-7675-B18D                   | 09-07-3188       | A-7675-C18D  | 09-06-3188       | A-7675-D18D  |
| 09-07-3197                               | A-7675-A19D  | 09-06-3197  | A-7675-B19D                   | 09-07-3198       | A-7675-C19D  | 09-06-3198       | A-7675-D19D  |
| 09-07-3207                               | A-7675-A20D  | 09-06-3207  | A-7675-B20D                   | 09-07-3208       | A-7675-C20D  | 09-06-3208       | A-7675-D20D  |
| 09-07-3217                               | A-7675-A21D  | 09-06-3217  | A-7675-B21D                   | 09-07-3218       | A-7675-C21D  | 09-06-3218       | A-7675-D21D  |
| 09-07-3227                               | A-7675-A22D  | 09-06-3227  | A-7675-B22D                   | 09-07-3228       | A-7675-C22D  | 09-06-3228       | A-7675-D22D  |
| 09-07-3237                               | A-7675-A23D  | 09-06-3237  | A-7675-B23D                   | 09-07-3238       | A-7675-C23D  | 09-06-3238       | A-7675-D23D  |
| 09-07-3247                               | A-7675-A24D  | 09-06-3247  | A-7675-B24D                   | 09-07-3248       | A-7675-C24D  | 09-06-3248       | A-7675-D24D  |
| REVISION:<br><b>AZ3</b>                  | ECR/ECN INFORMATION:<br>EC No.: <b>UCP2010-0214</b><br>DATE: <b>12/17/2009</b> | TITLE:<br><b>CONNECTOR ASSEMBLY<br/>KK (3.96)/.156 CENTER<br/>INSULATION DISPLACEMENT</b> | SHEET No.<br><b>7</b>         |                  |              |                  |              |
| DOCUMENT NUMBER:<br><b>SDA-7675-****</b> | CREATED / REVISED BY:<br><b>MKIPPER</b>  | CHECKED BY:<br><b>SSOUSEK</b>   | APPROVED BY:<br><b>FSMITH</b> |                  |              |                  |              |

| A-7675-ANDA                              |  | A-7675-BNDA                             |   | A-7675-CNDA                   |              | A-7675-DNDA      |                       |
|--|--|---|---|-------------------------------|--------------|------------------|-----------------------|
| HOUSING                                  | 7674-AN  | HOUSING                                 | 7674-BN   | HOUSING                       | 7674-CN      | HOUSING          | 7674-DN               |
| TERM. NO                                 | 40591-D(502)   | TERM. NO                                | 40591-D(502)  | TERM. NO                      | 40591-D(502) | TERM. NO         | 40591-D(502)          |
| BACKWALL:                                | NO   | BACKWALL:                               | NO  | BACKWALL:                     | YES          | BACKWALL:        | YES                   |
| RAMP                                     | NO   | RAMP                                    | YES   | RAMP                          | NO           | RAMP             | YES                   |
| MOLD VOID IN CKT                         | NONE   | MOLD VOID IN CKT                        | NONE  | MOLD VOID IN CKT              | NONE         | MOLD VOID IN CKT | NONE                  |
| VOID TERM.IN CKT                         | NONE   | VOID TERM.IN CKT                        | NONE  | VOID TERM.IN CKT              | NONE         | VOID TERM.IN CKT | NONE                  |
| MATL NO                                  | ENG NO:  | MATL NO                                 | ENG NO:   | MATL NO                       | ENG NO:      | MATL NO          | ENG NO:               |
|  | A-7675-A02DA   |   | A-7675-B02DA  |                               | A-7675-C02DA |                  | A-7675-D02DA          |
|  | A-7675-A03DA   |   | A-7675-B03DA  |                               | A-7675-C03DA |                  | A-7675-D03DA          |
|  | A-7675-A04DA   |   | A-7675-B04DA  |                               | A-7675-C04DA |                  | A-7675-D04DA          |
|  | A-7675-A05DA   |   | A-7675-B05DA  |                               | A-7675-C05DA |                  | A-7675-D05DA          |
|  | A-7675-A06DA   |   | A-7675-B06DA  | 26-32-3068                    | A-7675-C06DA |                  | A-7675-D06DA          |
|  | A-7675-A07DA   |   | A-7675-B07DA  |                               | A-7675-C07DA |                  | A-7675-D07DA          |
|  | A-7675-A08DA   |   | A-7675-B08DA  |                               | A-7675-C08DA | 26-32-3089       | A-7675-D08DA          |
|  | A-7675-A09DA   |   | A-7675-B09DA  |                               | A-7675-C09DA |                  | A-7675-D09DA          |
|  | A-7675-A10DA   |   | A-7675-B10DA  |                               | A-7675-C10DA |                  | A-7675-D10DA          |
|  | A-7675-A11DA   |   | A-7675-B11DA  |                               | A-7675-C11DA |                  | A-7675-D11DA          |
|  | A-7675-A12DA   |   | A-7675-B12DA  |                               | A-7675-C12DA |                  | A-7675-D12DA          |
|  | A-7675-A13DA   |   | A-7675-B13DA  |                               | A-7675-C13DA |                  | A-7675-D13DA          |
|  | A-7675-A14DA   |   | A-7675-B14DA  |                               | A-7675-C14DA |                  | A-7675-D14DA          |
|  | A-7675-A15DA   |   | A-7675-B15DA  |                               | A-7675-C15DA |                  | A-7675-D15DA          |
|  | A-7675-A16DA   |   | A-7675-B16DA  |                               | A-7675-C16DA |                  | A-7675-D16DA          |
|  | A-7675-A17DA   |   | A-7675-B17DA  |                               | A-7675-C17DA |                  | A-7675-D17DA          |
|  | A-7675-A18DA   |   | A-7675-B18DA  |                               | A-7675-C18DA |                  | A-7675-D18DA          |
|  | A-7675-A19DA   |   | A-7675-B19DA  |                               | A-7675-C19DA |                  | A-7675-D19DA          |
|  | A-7675-A20DA   |   | A-7675-B20DA  |                               | A-7675-C20DA |                  | A-7675-D20DA          |
|  | A-7675-A21DA   |   | A-7675-B21DA  |                               | A-7675-C21DA |                  | A-7675-D21DA          |
|  | A-7675-A22DA   |   | A-7675-B22DA  |                               | A-7675-C22DA |                  | A-7675-D22DA          |
|  | A-7675-A23DA   |   | A-7675-B23DA  |                               | A-7675-C23DA |                  | A-7675-D23DA          |
|  | A-7675-A24DA   |   | A-7675-B24DA  |                               | A-7675-C24DA |                  | A-7675-D24DA          |
| REVISION:<br><b>AZ3</b>                  | ECR/ECN INFORMATION:<br>EC No.: <b>UCP2010-0214</b><br>DATE: <b>12/17/2009</b> |   | TITLE:<br><b>CONNECTOR ASSEMBLY<br/>KK (3.96)/.156 CENTER<br/>INSULATION DISPLACEMENT</b> |                               |              |                  | SHEET No.<br><b>8</b> |
| DOCUMENT NUMBER:<br><b>SDA-7675-****</b> |  | CREATED / REVISED BY:<br><b>MKIPPER</b> | CHECKED BY:<br><b>SSOUSEK</b>   | APPROVED BY:<br><b>FSMITH</b> |              |                  |                       |



| A-7675-ANJ       |              | A-7675-BNJ       |              | A-7675-CNJ       |              | A-7675-DNJ       |              |
|------------------|--------------|------------------|--------------|------------------|--------------|------------------|--------------|
| HOUSING          | 7674-AN      | HOUSING          | 7674-BN      | HOUSING          | 7674-CN      | HOUSING          | 7674-DN      |
| TERM. NO         | 40591-J(102) | TERM. NO         | 40591-J(102) | TERM. NO         | 40591-J(102) | TERM. NO         | 40591-J(102) |
| BACKWALL:        | NO           | BACKWALL:        | NO           | BACKWALL:        | YES          | BACKWALL:        | YES          |
| RAMP             | NO           | RAMP             | YES          | RAMP             | NO           | RAMP             | YES          |
| MOLD VOID IN CKT | NONE         | MOLD VOID IN CKT | NONE         | MOLD VOID IN CKT | NONE         | MOLD VOID IN CKT | NONE         |
| VOID TERM.IN CKT | NONE         | VOID TERM.IN CKT | NONE         | VOID TERM.IN CKT | NONE         | VOID TERM.IN CKT | NONE         |
| MATL NO          | ENG NO:      | MATL NO          | ENG NO:      | MATL NO          | ENG NO:      | MATL NO          | ENG NO:      |
| 09-07-5027       | A-7675-A02J  | 09-06-5027       | A-7675-B02J  | 09-07-5028       | A-7675-C02J  | 09-06-5028       | A-7675-D02J  |
| 09-07-5037       | A-7675-A03J  | 09-06-5037       | A-7675-B03J  | 09-07-5038       | A-7675-C03J  | 09-06-5038       | A-7675-D03J  |
| 09-07-5047       | A-7675-A04J  | 09-06-5047       | A-7675-B04J  | 09-07-5048       | A-7675-C04J  | 09-06-5048       | A-7675-D04J  |
| 09-07-5057       | A-7675-A05J  | 09-06-5057       | A-7675-B05J  | 09-07-5058       | A-7675-C05J  | 09-06-5058       | A-7675-D05J  |
| 09-07-5067       | A-7675-A06J  | 09-06-5067       | A-7675-B06J  | 09-07-5068       | A-7675-C06J  | 09-06-5068       | A-7675-D06J  |
| 09-07-5077       | A-7675-A07J  | 09-06-5077       | A-7675-B07J  | 09-07-5078       | A-7675-C07J  | 09-06-5078       | A-7675-D07J  |
| 09-07-5087       | A-7675-A08J  | 09-06-5087       | A-7675-B08J  | 09-07-5088       | A-7675-C08J  | 09-06-5088       | A-7675-D08J  |
| 09-07-5097       | A-7675-A09J  | 09-06-5097       | A-7675-B09J  | 09-07-5098       | A-7675-C09J  | 09-06-5098       | A-7675-D09J  |
| 09-07-5107       | A-7675-A10J  | 09-06-5107       | A-7675-B10J  | 09-07-5108       | A-7675-C10J  | 09-06-5108       | A-7675-D10J  |
| 09-07-5117       | A-7675-A11J  | 09-06-5117       | A-7675-B11J  | 09-07-5118       | A-7675-C11J  | 09-06-5118       | A-7675-D11J  |
| 09-07-5127       | A-7675-A12J  | 09-06-5127       | A-7675-B12J  | 09-07-5128       | A-7675-C12J  | 09-06-5128       | A-7675-D12J  |
| 09-07-5137       | A-7675-A13J  | 09-06-5137       | A-7675-B13J  | 09-07-5138       | A-7675-C13J  | 09-06-5138       | A-7675-D13J  |
| 09-07-5147       | A-7675-A14J  | 09-06-5147       | A-7675-B14J  | 09-07-5148       | A-7675-C14J  | 09-06-5148       | A-7675-D14J  |
| 09-07-5157       | A-7675-A15J  | 09-06-5157       | A-7675-B15J  | 09-07-5158       | A-7675-C15J  | 09-06-5158       | A-7675-D15J  |
| 09-07-5167       | A-7675-A16J  | 09-06-5167       | A-7675-B16J  | 09-07-5168       | A-7675-C16J  | 09-06-5168       | A-7675-D16J  |
| 09-07-5177       | A-7675-A17J  | 09-06-5177       | A-7675-B17J  | 09-07-5178       | A-7675-C17J  | 09-06-5178       | A-7675-D17J  |
| 09-07-5187       | A-7675-A18J  | 09-06-5187       | A-7675-B18J  | 09-07-5188       | A-7675-C18J  | 09-06-5188       | A-7675-D18J  |
| 09-07-5197       | A-7675-A19J  | 09-06-5197       | A-7675-B19J  | 09-07-5198       | A-7675-C19J  | 09-06-5198       | A-7675-D19J  |
| 09-07-5207       | A-7675-A20J  | 09-06-5207       | A-7675-B20J  | 09-07-5208       | A-7675-C20J  | 09-06-5208       | A-7675-D20J  |
| 09-07-5217       | A-7675-A21J  | 09-06-5217       | A-7675-B21J  | 09-07-5218       | A-7675-C21J  | 09-06-5218       | A-7675-D21J  |
| 09-07-5227       | A-7675-A22J  | 09-06-5227       | A-7675-B22J  | 09-07-5228       | A-7675-C22J  | 09-06-5228       | A-7675-D22J  |
| 09-07-5237       | A-7675-A23J  | 09-06-5237       | A-7675-B23J  | 09-07-5238       | A-7675-C23J  | 09-06-5238       | A-7675-D23J  |
| 09-07-5247       | A-7675-A24J  | 09-06-5247       | A-7675-B24J  | 09-07-5248       | A-7675-C24J  | 09-06-5248       | A-7675-D24J  |

|  |  |   |                               |
|--|--|---|-------------------------------|
| REVISION:<br><b>AZ3</b>                  | ECR/ECN INFORMATION:<br>EC No.: <b>UCP2010-0214</b><br>DATE: <b>12/17/2009</b> | TITLE:<br><b>CONNECTOR ASSEMBLY<br/>KK (3.96)/.156 CENTER<br/>INSULATION DISPLACEMENT</b> | SHEET No.<br><b>9</b>         |
| DOCUMENT NUMBER:<br><b>SDA-7675-****</b> | CREATED / REVISED BY:<br><b>MKIPPER</b>  | CHECKED BY:<br><b>SSOUSEK</b>   | APPROVED BY:<br><b>FSMITH</b> |

| A-7675-ANJA                              |  | A-7675-BNJA      |   | A-7675-CNJA                   |                               | A-7675-DNJA      |                        |  |
|--|--|------------------|---|-------------------------------|-------------------------------|------------------|------------------------|--|
| HOUSING                                  | 7674-AN  | HOUSING          | 7674-BN   | HOUSING                       | 7674-CN                       | HOUSING          | 7674-DN                |  |
| TERM. NO                                 | 40591-J(502)   | TERM. NO         | 40591-J(502)  | TERM. NO                      | 40591-J(502)                  | TERM. NO         | 40591-J(502)           |  |
| BACKWALL:                                | NO   | BACKWALL:        | NO  | BACKWALL:                     | YES                           | BACKWALL:        | YES                    |  |
| RAMP                                     | NO   | RAMP             | YES   | RAMP                          | NO                            | RAMP             | YES                    |  |
| MOLD VOID IN CKT                         | NONE   | MOLD VOID IN CKT | NONE  | MOLD VOID IN CKT              | NONE                          | MOLD VOID IN CKT | NONE                   |  |
| VOID TERM.IN CKT                         | NONE   | VOID TERM.IN CKT | NONE  | VOID TERM.IN CKT              | NONE                          | VOID TERM.IN CKT | NONE                   |  |
| MATL NO                                  | ENG NO:  | MATL NO          | ENG NO:   | MATL NO                       | ENG NO:                       | MATL NO          | ENG NO:                |  |
|  | A-7675-A02JA   |                  | A-7675-B02JA  |                               | A-7675-C02JA                  | 26-31-5028       | A-7675-D02JA           |  |
|  | A-7675-A03JA   |                  | A-7675-B03JA  |                               | A-7675-C03JA                  | 26-31-5038       | A-7675-D03JA           |  |
|  | A-7675-A04JA   |                  | A-7675-B04JA  | 26-32-5048                    | A-7675-C04JA                  | 26-31-5048       | A-7675-D04JA           |  |
|  | A-7675-A05JA   |                  | A-7675-B05JA  |                               | A-7675-C05JA                  | 26-31-5058       | A-7675-D05JA           |  |
| 26-32-5067                               | A-7675-A06JA   |                  | A-7675-B06JA  | 26-32-5068                    | A-7675-C06JA                  | 26-31-5068       | A-7675-D06JA           |  |
|  | A-7675-A07JA   |                  | A-7675-B07JA  |                               | A-7675-C07JA                  |                  | A-7675-D07JA           |  |
|  | A-7675-A08JA   | 21-62-2001       | A-7675-B08JA  |                               | A-7675-C08JA                  | 26-31-5088       | A-7675-D08JA           |  |
|  | A-7675-A09JA   |                  | A-7675-B09JA  |                               | A-7675-C09JA                  |                  | A-7675-D09JA           |  |
|  | A-7675-A10JA   |                  | A-7675-B10JA  |                               | A-7675-C10JA                  | 26-31-5108       | A-7675-D10JA           |  |
|  | A-7675-A11JA   |                  | A-7675-B11JA  |                               | A-7675-C11JA                  |                  | A-7675-D11JA           |  |
|  | A-7675-A12JA   | 26-32-5129       | A-7675-B12JA  |                               | A-7675-C12JA                  |                  | A-7675-D12JA           |  |
|  | A-7675-A13JA   |                  | A-7675-B13JA  |                               | A-7675-C13JA                  |                  | A-7675-D13JA           |  |
|  | A-7675-A14JA   |                  | A-7675-B14JA  |                               | A-7675-C14JA                  |                  | A-7675-D14JA           |  |
|  | A-7675-A15JA   |                  | A-7675-B15JA  |                               | A-7675-C15JA                  | 26-31-5158       | A-7675-D15JA           |  |
|  | A-7675-A16JA   |                  | A-7675-B16JA  |                               | A-7675-C16JA                  |                  | A-7675-D16JA           |  |
|  | A-7675-A17JA   |                  | A-7675-B17JA  |                               | A-7675-C17JA                  |                  | A-7675-D17JA           |  |
|  | A-7675-A18JA   |                  | A-7675-B18JA  |                               | A-7675-C18JA                  |                  | A-7675-D18JA           |  |
|  | A-7675-A19JA   |                  | A-7675-B19JA  |                               | A-7675-C19JA                  |                  | A-7675-D19JA           |  |
|  | A-7675-A20JA   |                  | A-7675-B20JA  |                               | A-7675-C20JA                  |                  | A-7675-D20JA           |  |
|  | A-7675-A21JA   |                  | A-7675-B21JA  |                               | A-7675-C21JA                  |                  | A-7675-D21JA           |  |
|  | A-7675-A22JA   |                  | A-7675-B22JA  |                               | A-7675-C22JA                  |                  | A-7675-D22JA           |  |
|  | A-7675-A23JA   |                  | A-7675-B23JA  |                               | A-7675-C23JA                  |                  | A-7675-D23JA           |  |
|  | A-7675-A24JA   |                  | A-7675-B24JA  |                               | A-7675-C24JA                  |                  | A-7675-D24JA           |  |
| REVISION:<br><b>AZ3</b>                  | ECR/ECN INFORMATION:<br>EC No.: UCP2010-0214<br>DATE: 12/17/2009 |                  | TITLE:<br><b>CONNECTOR ASSEMBLY<br/>KK (3.96)/.156 CENTER<br/>INSULATION DISPLACEMENT</b> |                               |                               |                  | SHEET No.<br><b>10</b> |  |
| DOCUMENT NUMBER:<br><b>SDA-7675-****</b> |  |                  | CREATED / REVISED BY:<br><b>MKIPPER</b>   | CHECKED BY:<br><b>SSOUSEK</b> | APPROVED BY:<br><b>FSMITH</b> |                  |                        |  |

| A-7675-ANJE      |              | A-7675-BNJE      |              | A-7675-CNJE      |              | A-7675-DNJE      |              |
|------------------|--------------|------------------|--------------|------------------|--------------|------------------|--------------|
| HOUSING          | 7674-AN      | HOUSING          | 7674-BN      | HOUSING          | 7674-CN      | HOUSING          | 7674-DN      |
| TERM. NO         | 40591-J(565) | TERM. NO         | 40591-J(565) | TERM. NO         | 40591-J(565) | TERM. NO         | 40591-J(565) |
| BACKWALL:        | NO           | BACKWALL:        | NO           | BACKWALL:        | YES          | BACKWALL:        | YES          |
| RAMP             | NO           | RAMP             | YES          | RAMP             | NO           | RAMP             | YES          |
| MOLD VOID IN CKT | NONE         | MOLD VOID IN CKT | NONE         | MOLD VOID IN CKT | NONE         | MOLD VOID IN CKT | NONE         |
| VOID TERM.IN CKT | NONE         | VOID TERM.IN CKT | NONE         | VOID TERM.IN CKT | NONE         | VOID TERM.IN CKT | NONE         |
| MATL NO          | ENG NO:      | MATL NO          | ENG NO:      | MATL NO          | ENG NO:      | MATL NO          | ENG NO:      |
|                  | A-7675-A02JE |                  | A-7675-B02JE |                  | A-7675-C02JE |                  | A-7675-D02JE |
|                  | A-7675-A03JE |                  | A-7675-B03JE |                  | A-7675-C03JE |                  | A-7675-D03JE |
|                  | A-7675-A04JE |                  | A-7675-B04JE |                  | A-7675-C04JE |                  | A-7675-D04JE |
|                  | A-7675-A05JE |                  | A-7675-B05JE |                  | A-7675-C05JE |                  | A-7675-D05JE |
| 26-38-5067       | A-7675-A06JE |                  | A-7675-B06JE | 26-38-5068       | A-7675-C06JE |                  | A-7675-D06JE |
|                  | A-7675-A07JE |                  | A-7675-B07JE |                  | A-7675-C07JE |                  | A-7675-D07JE |
|                  | A-7675-A08JE |                  | A-7675-B08JE |                  | A-7675-C08JE |                  | A-7675-D08JE |
|                  | A-7675-A09JE |                  | A-7675-B09JE |                  | A-7675-C09JE |                  | A-7675-D09JE |
|                  | A-7675-A10JE |                  | A-7675-B10JE |                  | A-7675-C10JE |                  | A-7675-D10JE |
|                  | A-7675-A11JE |                  | A-7675-B11JE |                  | A-7675-C11JE |                  | A-7675-D11JE |
|                  | A-7675-A12JE |                  | A-7675-B12JE |                  | A-7675-C12JE |                  | A-7675-D12JE |
|                  | A-7675-A13JE |                  | A-7675-B13JE |                  | A-7675-C13JE |                  | A-7675-D13JE |
| 09-10-5149       | A-7675-A14JE |                  | A-7675-B14JE |                  | A-7675-C14JE |                  | A-7675-D14JE |
|                  | A-7675-A15JE |                  | A-7675-B15JE |                  | A-7675-C15JE |                  | A-7675-D15JE |
|                  | A-7675-A16JE |                  | A-7675-B16JE |                  | A-7675-C16JE |                  | A-7675-D16JE |
|                  | A-7675-A17JE |                  | A-7675-B17JE |                  | A-7675-C17JE |                  | A-7675-D17JE |
|                  | A-7675-A18JE |                  | A-7675-B18JE |                  | A-7675-C18JE |                  | A-7675-D18JE |
|                  |              |                  |              |                  |              |                  |              |
|                  |              |                  |              |                  |              |                  |              |
|                  |              |                  |              |                  |              |                  |              |
|                  |              |                  |              |                  |              |                  |              |
|                  |              |                  |              |                  |              |                  |              |
|                  |              |                  |              |                  |              |                  |              |
|                  |              |                  |              |                  |              |                  |              |

|  |  |   |                               |
|--|--|---|-------------------------------|
| REVISION:<br><b>AZ3</b>                  | ECR/ECN INFORMATION:<br>EC No.: <b>UCP2010-0214</b><br>DATE: <b>12/17/2009</b> | TITLE:<br><b>CONNECTOR ASSEMBLY<br/>KK (3.96)/.156 CENTER<br/>INSULATION DISPLACEMENT</b> | SHEET No.<br><b>11</b>        |
| DOCUMENT NUMBER:<br><b>SDA-7675-****</b> | CREATED / REVISED BY:<br><b>MKIPPER</b>  | CHECKED BY:<br><b>SSOUSEK</b>   | APPROVED BY:<br><b>FSMITH</b> |

| A-7675-ANJH      |              | A-7675-BNJH      |              | A-7675-CNJH      |              | A-7675-DNJH      |              |
|------------------|--------------|------------------|--------------|------------------|--------------|------------------|--------------|
| HOUSING          | 7674-AN      | HOUSING          | 7674-BN      | HOUSING          | 7674-CN      | HOUSING          | 7674-DN      |
| TERM. NO         | 40591-J(555) | TERM. NO         | 40591-J(555) | TERM. NO         | 40591-J(555) | TERM. NO         | 40591-J(555) |
| BACKWALL:        | NO           | BACKWALL:        | NO           | BACKWALL:        | YES          | BACKWALL:        | YES          |
| RAMP             | NO           | RAMP             | YES          | RAMP             | NO           | RAMP             | YES          |
| MOLD VOID IN CKT | NONE         | MOLD VOID IN CKT | NONE         | MOLD VOID IN CKT | NONE         | MOLD VOID IN CKT | NONE         |
| VOID TERM.IN CKT | NONE         | VOID TERM.IN CKT | NONE         | VOID TERM.IN CKT | NONE         | VOID TERM.IN CKT | NONE         |
| MATL NO          | ENG NO:      | MATL NO          | ENG NO:      | MATL NO          | ENG NO:      | MATL NO          | ENG NO:      |
|                  | A-7675-A02JH |                  | A-7675-B02JH |                  | A-7675-C02JH | 26-32-9025       | A-7675-D02JH |
|                  | A-7675-A03JH |                  | A-7675-B03JH |                  | A-7675-C03JH |                  | A-7675-D03JH |
|                  | A-7675-A04JH |                  | A-7675-B04JH |                  | A-7675-C04JH |                  | A-7675-D04JH |
|                  | A-7675-A05JH |                  | A-7675-B05JH |                  | A-7675-C05JH |                  | A-7675-D05JH |
|                  | A-7675-A06JH |                  | A-7675-B06JH |                  | A-7675-C06JH |                  | A-7675-D06JH |
|                  | A-7675-A07JH |                  | A-7675-B07JH |                  | A-7675-C07JH |                  | A-7675-D07JH |
|                  | A-7675-A08JH |                  | A-7675-B08JH |                  | A-7675-C08JH | 26-32-9085       | A-7675-D08JH |
|                  | A-7675-A09JH |                  | A-7675-B09JH |                  | A-7675-C09JH |                  | A-7675-D09JH |
|                  | A-7675-A10JH |                  | A-7675-B10JH |                  | A-7675-C10JH |                  | A-7675-D10JH |
|                  | A-7675-A11JH |                  | A-7675-B11JH |                  | A-7675-C11JH |                  | A-7675-D11JH |
|                  | A-7675-A12JH |                  | A-7675-B12JH |                  | A-7675-C12JH |                  | A-7675-D12JH |
|                  | A-7675-A13JH |                  | A-7675-B13JH |                  | A-7675-C13JH |                  | A-7675-D13JH |
|                  | A-7675-A14JH |                  | A-7675-B14JH |                  | A-7675-C14JH |                  | A-7675-D14JH |
|                  | A-7675-A15JH |                  | A-7675-B15JH |                  | A-7675-C15JH | 26-32-9155       | A-7675-D15JH |
|                  | A-7675-A16JH |                  | A-7675-B16JH |                  | A-7675-C16JH |                  | A-7675-D16JH |
|                  | A-7675-A17JH |                  | A-7675-B17JH |                  | A-7675-C17JH |                  | A-7675-D17JH |
|                  | A-7675-A18JH |                  | A-7675-B18JH |                  | A-7675-C18JH |                  | A-7675-D18JH |
|                  | A-7675-A19JH |                  | A-7675-B19JH |                  | A-7675-C19JH |                  | A-7675-D19JH |
|                  | A-7675-A20JH |                  | A-7675-B20JH |                  | A-7675-C20JH |                  | A-7675-D20JH |
|                  | A-7675-A21JH |                  | A-7675-B21JH |                  | A-7675-C21JH |                  | A-7675-D21JH |
|                  | A-7675-A22JH |                  | A-7675-B22JH |                  | A-7675-C22JH |                  | A-7675-D22JH |
|                  | A-7675-A23JH |                  | A-7675-B23JH |                  | A-7675-C23JH |                  | A-7675-D23JH |
|                  | A-7675-A24JH |                  | A-7675-B24JH |                  | A-7675-C24JH |                  | A-7675-D24JH |

|  |  |   |                               |
|--|--|---|-------------------------------|
| REVISION:<br><b>AZ3</b>                  | ECR/ECN INFORMATION:<br>EC No.: <b>UCP2010-0214</b><br>DATE: <b>12/17/2009</b> | TITLE:<br><b>CONNECTOR ASSEMBLY<br/>KK (3.96)/.156 CENTER<br/>INSULATION DISPLACEMENT</b> | SHEET No.<br><b>12</b>        |
| DOCUMENT NUMBER:<br><b>SDA-7675-****</b> | CREATED / REVISED BY:<br><b>MKIPPER</b>  | CHECKED BY:<br><b>SSOUSEK</b>   | APPROVED BY:<br><b>FSMITH</b> |



| A-7675-ANL       |              | A-7675-BNL       |              | A-7675-CNL       |              | A-7675-DNL       |              |
|------------------|--------------|------------------|--------------|------------------|--------------|------------------|--------------|
| HOUSING          | 7674-AN      | HOUSING          | 7674-BN      | HOUSING          | 7674-CN      | HOUSING          | 7674-DN      |
| TERM. NO         | 40591-L(102) | TERM. NO         | 40591-L(102) | TERM. NO         | 40591-L(102) | TERM. NO         | 40591-L(102) |
| BACKWALL:        | NO           | BACKWALL:        | NO           | BACKWALL:        | YES          | BACKWALL:        | YES          |
| RAMP             | NO           | RAMP             | YES          | RAMP             | NO           | RAMP             | YES          |
| MOLD VOID IN CKT | NONE         | MOLD VOID IN CKT | NONE         | MOLD VOID IN CKT | NONE         | MOLD VOID IN CKT | NONE         |
| VOID TERM.IN CKT | NONE         | VOID TERM.IN CKT | NONE         | VOID TERM.IN CKT | NONE         | VOID TERM.IN CKT | NONE         |
| MATL NO          | ENG NO:      | MATL NO          | ENG NO:      | MATL NO          | ENG NO:      | MATL NO          | ENG NO:      |
| 09-07-2027       | A-7675-A02L  | 09-06-2027       | A-7675-B02L  | 09-07-2028       | A-7675-C02L  | 09-06-2028       | A-7675-D02L  |
| 09-07-2037       | A-7675-A03L  | 09-06-2037       | A-7675-B03L  | 09-07-2038       | A-7675-C03L  | 09-06-2038       | A-7675-D03L  |
| 09-07-2047       | A-7675-A04L  | 09-06-2047       | A-7675-B04L  | 09-07-2048       | A-7675-C04L  | 09-06-2048       | A-7675-D04L  |
| 09-07-2057       | A-7675-A05L  | 09-06-2057       | A-7675-B05L  | 09-07-2058       | A-7675-C05L  | 09-06-2058       | A-7675-D05L  |
| 09-07-2067       | A-7675-A06L  | 09-06-2067       | A-7675-B06L  | 09-07-2068       | A-7675-C06L  | 09-06-2068       | A-7675-D06L  |
| 09-07-2077       | A-7675-A07L  | 09-06-2077       | A-7675-B07L  | 09-07-2078       | A-7675-C07L  | 09-06-2078       | A-7675-D07L  |
| 09-07-2087       | A-7675-A08L  | 09-06-2087       | A-7675-B08L  | 09-07-2088       | A-7675-C08L  | 09-06-2088       | A-7675-D08L  |
| 09-07-2097       | A-7675-A09L  | 09-06-2097       | A-7675-B09L  | 09-07-2098       | A-7675-C09L  | 09-06-2098       | A-7675-D09L  |
| 09-07-2107       | A-7675-A10L  | 09-06-2107       | A-7675-B10L  | 09-07-2108       | A-7675-C10L  | 09-06-2108       | A-7675-D10L  |
| 09-07-2117       | A-7675-A11L  | 09-06-2117       | A-7675-B11L  | 09-07-2118       | A-7675-C11L  | 09-06-2118       | A-7675-D11L  |
| 09-07-2127       | A-7675-A12L  | 09-06-2127       | A-7675-B12L  | 09-07-2128       | A-7675-C12L  | 09-06-2128       | A-7675-D12L  |
| 09-07-2137       | A-7675-A13L  | 09-06-2137       | A-7675-B13L  | 09-07-2138       | A-7675-C13L  | 09-06-2138       | A-7675-D13L  |
| 09-07-2147       | A-7675-A14L  | 09-06-2147       | A-7675-B14L  | 09-07-2148       | A-7675-C14L  | 09-06-2148       | A-7675-D14L  |
| 09-07-2157       | A-7675-A15L  | 09-06-2157       | A-7675-B15L  | 09-07-2158       | A-7675-C15L  | 09-06-2158       | A-7675-D15L  |
| 09-07-2167       | A-7675-A16L  | 09-06-2167       | A-7675-B16L  | 09-07-2168       | A-7675-C16L  | 09-06-2168       | A-7675-D16L  |
| 09-07-2177       | A-7675-A17L  | 09-06-2177       | A-7675-B17L  | 09-07-2178       | A-7675-C17L  | 09-06-2178       | A-7675-D17L  |
| 09-07-2187       | A-7675-A18L  | 09-06-2187       | A-7675-B18L  | 09-07-2188       | A-7675-C18L  | 09-06-2188       | A-7675-D18L  |
| 09-07-2197       | A-7675-A19L  | 09-06-2197       | A-7675-B19L  | 09-07-2198       | A-7675-C19L  | 09-06-2198       | A-7675-D19L  |
| 09-07-2207       | A-7675-A20L  | 09-06-2207       | A-7675-B20L  | 09-07-2208       | A-7675-C20L  | 09-06-2208       | A-7675-D20L  |
| 09-07-2217       | A-7675-A21L  | 09-06-2217       | A-7675-B21L  | 09-07-2218       | A-7675-C21L  | 09-06-2218       | A-7675-D21L  |
| 09-07-2227       | A-7675-A22L  | 09-06-2227       | A-7675-B22L  | 09-07-2228       | A-7675-C22L  | 09-06-2228       | A-7675-D22L  |
| 09-07-2237       | A-7675-A23L  | 09-06-2237       | A-7675-B23L  | 09-07-2238       | A-7675-C23L  | 09-06-2238       | A-7675-D23L  |
| 09-07-2247       | A-7675-A24L  | 09-06-2247       | A-7675-B24L  | 09-07-2248       | A-7675-C24L  | 09-06-2248       | A-7675-D24L  |

|  |  |   |                               |
|--|--|---|-------------------------------|
| REVISION:<br><b>AZ3</b>                  | ECR/ECN INFORMATION:<br>EC No.: <b>UCP2010-0214</b><br>DATE: <b>12/17/2009</b> | TITLE:<br><b>CONNECTOR ASSEMBLY<br/>KK (3.96)/.156 CENTER<br/>INSULATION DISPLACEMENT</b> | SHEET No.<br><b>14</b>        |
| DOCUMENT NUMBER:<br><b>SDA-7675-****</b> | CREATED / REVISED BY:<br><b>MKIPPER</b>  | CHECKED BY:<br><b>SSOUSEK</b>   | APPROVED BY:<br><b>FSMITH</b> |

| A-7675-ANLA                              |  | A-7675-BNLA                             |              | A-7675-CNLA   |              | A-7675-DNLA                   |                        |
|--|--|---|--------------|---|--------------|-------------------------------|------------------------|
| HOUSING                                  | 7674-AN  | HOUSING                                 | 7674-BN      | HOUSING   | 7674-CN      | HOUSING                       | 7674-DN                |
| TERM. NO                                 | 40591-L(502)   | TERM. NO                                | 40591-L(502) | TERM. NO  | 40591-L(502) | TERM. NO                      | 40591-L(502)           |
| BACKWALL:                                | NO   | BACKWALL:                               | NO           | BACKWALL:   | YES          | BACKWALL:                     | YES                    |
| RAMP                                     | NO   | RAMP                                    | YES          | RAMP  | NO           | RAMP                          | YES                    |
| MOLD VOID IN CKT                         | NONE   | MOLD VOID IN CKT                        | NONE         | MOLD VOID IN CKT  | NONE         | MOLD VOID IN CKT              | NONE                   |
| VOID TERM.IN CKT                         | NONE   | VOID TERM.IN CKT                        | NONE         | VOID TERM.IN CKT  | NONE         | VOID TERM.IN CKT              | NONE                   |
| MATL NO                                  | ENG NO:  | MATL NO                                 | ENG NO:      | MATL NO   | ENG NO:      | MATL NO                       | ENG NO:                |
|  | A-7675-A02LA   |   | A-7675-B02LA |   | A-7675-C02LA | 26-31-2028                    | A-7675-D02LA           |
|  | A-7675-A03LA   |   | A-7675-B03LA |   | A-7675-C03LA |                               | A-7675-D03LA           |
|  | A-7675-A04LA   |   | A-7675-B04LA |   | A-7675-C04LA |                               | A-7675-D04LA           |
|  | A-7675-A05LA   |   | A-7675-B05LA |   | A-7675-C05LA |                               | A-7675-D05LA           |
|  | A-7675-A06LA   |   | A-7675-B06LA |   | A-7675-C06LA |                               | A-7675-D06LA           |
|  | A-7675-A07LA   |   | A-7675-B07LA |   | A-7675-C07LA |                               | A-7675-D07LA           |
|  | A-7675-A08LA   |   | A-7675-B08LA |   | A-7675-C08LA |                               | A-7675-D08LA           |
|  | A-7675-A09LA   |   | A-7675-B09LA |   | A-7675-C09LA |                               | A-7675-D09LA           |
|  | A-7675-A10LA   |   | A-7675-B10LA |   | A-7675-C10LA |                               | A-7675-D10LA           |
|  | A-7675-A11LA   |   | A-7675-B11LA |   | A-7675-C11LA |                               | A-7675-D11LA           |
|  | A-7675-A12LA   |   | A-7675-B12LA |   | A-7675-C12LA |                               | A-7675-D12LA           |
|  | A-7675-A13LA   |   | A-7675-B13LA |   | A-7675-C13LA |                               | A-7675-D13LA           |
|  | A-7675-A14LA   |   | A-7675-B14LA |   | A-7675-C14LA | 26-31-2148                    | A-7675-D14LA           |
|  | A-7675-A15LA   |   | A-7675-B15LA |   | A-7675-C15LA |                               | A-7675-D15LA           |
|  | A-7675-A16LA   |   | A-7675-B16LA |   | A-7675-C16LA |                               | A-7675-D16LA           |
|  | A-7675-A17LA   |   | A-7675-B17LA |   | A-7675-C17LA |                               | A-7675-D17LA           |
|  | A-7675-A18LA   |   | A-7675-B18LA |   | A-7675-C18LA |                               | A-7675-D18LA           |
|  | A-7675-A19LA   |   | A-7675-B19LA |   | A-7675-C19LA |                               | A-7675-D19LA           |
|  | A-7675-A20LA   | 26-31-2207                              | A-7675-B20LA |   | A-7675-C20LA |                               | A-7675-D20LA           |
|  | A-7675-A21LA   |   | A-7675-B21LA |   | A-7675-C21LA |                               | A-7675-D21LA           |
|  | A-7675-A22LA   |   | A-7675-B22LA |   | A-7675-C22LA |                               | A-7675-D22LA           |
|  | A-7675-A23LA   |   | A-7675-B23LA |   | A-7675-C23LA |                               | A-7675-D23LA           |
|  | A-7675-A24LA   |   | A-7675-B24LA |   | A-7675-C24LA |                               | A-7675-D24LA           |
| REVISION:<br><b>AZ3</b>                  | ECR/ECN INFORMATION:<br>EC No.: UCP2010-0214<br>DATE: 12/17/2009 |   | TITLE:       | <b>CONNECTOR ASSEMBLY<br/>KK (3.96)/.156 CENTER<br/>INSULATION DISPLACEMENT</b> |              |                               | SHEET No.<br><b>15</b> |
| DOCUMENT NUMBER:<br><b>SDA-7675-****</b> |  | CREATED / REVISED BY:<br><b>MKIPPER</b> |              | CHECKED BY:<br><b>SSOUSEK</b>   |              | APPROVED BY:<br><b>FSMITH</b> |                        |

| A-7675-ANLD                              |  | A-7675-BNLD      |   | A-7675-CNLD      |                               | A-7675-DNLD      |                               |  |
|--|--|------------------|---|------------------|-------------------------------|------------------|-------------------------------|--|
| HOUSING                                  | 7674-AN  | HOUSING          | 7674-BN   | HOUSING          | 7674-CN                       | HOUSING          | 7674-DN                       |  |
| TERM. NO                                 | 40591-L(503)   | TERM. NO         | 40591-L(503)  | TERM. NO         | 40591-L(503)                  | TERM. NO         | 40591-L(503)                  |  |
| BACKWALL:                                | NO   | BACKWALL:        | NO  | BACKWALL:        | YES                           | BACKWALL:        | YES                           |  |
| RAMP                                     | NO   | RAMP             | YES   | RAMP             | NO                            | RAMP             | YES                           |  |
| MOLD VOID IN CKT                         | NONE   | MOLD VOID IN CKT | NONE  | MOLD VOID IN CKT | NONE                          | MOLD VOID IN CKT | NONE                          |  |
| VOID TERM.IN CKT                         | NONE   | VOID TERM.IN CKT | NONE  | VOID TERM.IN CKT | NONE                          | VOID TERM.IN CKT | NONE                          |  |
| MATL NO                                  | ENG NO:  | MATL NO          | ENG NO:   | MATL NO          | ENG NO:                       | MATL NO          | ENG NO:                       |  |
|  | A-7675-A02LD   |                  | A-7675-B02LD  |                  | A-7675-C02LD                  |                  | A-7675-D02LD                  |  |
|  | A-7675-A03LD   |                  | A-7675-B03LD  |                  | A-7675-C03LD                  |                  | A-7675-D03LD                  |  |
|  | A-7675-A04LD   |                  | A-7675-B04LD  |                  | A-7675-C04LD                  |                  | A-7675-D04LD                  |  |
|  | A-7675-A05LD   |                  | A-7675-B05LD  |                  | A-7675-C05LD                  | 09-06-7055       | A-7675-D05LD                  |  |
|  | A-7675-A06LD   |                  | A-7675-B06LD  |                  | A-7675-C06LD                  |                  | A-7675-D06LD                  |  |
|  | A-7675-A07LD   |                  | A-7675-B07LD  |                  | A-7675-C07LD                  |                  | A-7675-D07LD                  |  |
|  | A-7675-A08LD   |                  | A-7675-B08LD  |                  | A-7675-C08LD                  |                  | A-7675-D08LD                  |  |
|  | A-7675-A09LD   |                  | A-7675-B09LD  |                  | A-7675-C09LD                  |                  | A-7675-D09LD                  |  |
|  | A-7675-A10LD   |                  | A-7675-B10LD  |                  | A-7675-C10LD                  |                  | A-7675-D10LD                  |  |
|  | A-7675-A11LD   |                  | A-7675-B11LD  |                  | A-7675-C11LD                  |                  | A-7675-D11LD                  |  |
|  | A-7675-A12LD   |                  | A-7675-B12LD  |                  | A-7675-C12LD                  |                  | A-7675-D12LD                  |  |
|  | A-7675-A13LD   |                  | A-7675-B13LD  |                  | A-7675-C13LD                  |                  | A-7675-D13LD                  |  |
|  | A-7675-A14LD   |                  | A-7675-B14LD  |                  | A-7675-C14LD                  |                  | A-7675-D14LD                  |  |
|  | A-7675-A15LD   |                  | A-7675-B15LD  |                  | A-7675-C15LD                  |                  | A-7675-D15LD                  |  |
|  | A-7675-A16LD   |                  | A-7675-B16LD  |                  | A-7675-C16LD                  |                  | A-7675-D16LD                  |  |
|  | A-7675-A17LD   |                  | A-7675-B17LD  |                  | A-7675-C17LD                  |                  | A-7675-D17LD                  |  |
|  | A-7675-A18LD   |                  | A-7675-B18LD  |                  | A-7675-C18LD                  |                  | A-7675-D18LD                  |  |
|  | A-7675-A19LD   |                  | A-7675-B19LD  |                  | A-7675-C19LD                  |                  | A-7675-D19LD                  |  |
|  | A-7675-A20LD   |                  | A-7675-B20LD  |                  | A-7675-C20LD                  |                  | A-7675-D20LD                  |  |
|  | A-7675-A21LD   |                  | A-7675-B21LD  |                  | A-7675-C21LD                  |                  | A-7675-D21LD                  |  |
|  | A-7675-A22LD   |                  | A-7675-B22LD  |                  | A-7675-C22LD                  |                  | A-7675-D22LD                  |  |
|  | A-7675-A23LD   |                  | A-7675-B23LD  |                  | A-7675-C23LD                  |                  | A-7675-D23LD                  |  |
|  | A-7675-A24LD   |                  | A-7675-B24LD  |                  | A-7675-C24LD                  | 09-06-7245       | A-7675-D24LD                  |  |
| REVISION:<br><b>AZ3</b>                  | ECR/ECN INFORMATION:<br>EC No.: UCP2010-0214<br>DATE: 12/17/2009 |                  | TITLE:<br><b>CONNECTOR ASSEMBLY<br/>KK (3.96)/.156 CENTER<br/>INSULATION DISPLACEMENT</b> |                  |                               |                  | SHEET No.<br><b>16</b>        |  |
| DOCUMENT NUMBER:<br><b>SDA-7675-****</b> |  |                  | CREATED / REVISED BY:<br><b>MKIPPER</b>   |                  | CHECKED BY:<br><b>SSOUSEK</b> |                  | APPROVED BY:<br><b>FSMITH</b> |  |



| A-7675-ANM                               |  | A-7675-BNM       |   | A-7675-CNM       |                               | A-7675-DNM       |                               |  |
|--|--|------------------|---|------------------|-------------------------------|------------------|-------------------------------|--|
| HOUSING                                  | 7674-AN  | HOUSING          | 7674-BN   | HOUSING          | 7674-CN                       | HOUSING          | 7674-DN                       |  |
| TERM. NO                                 | 40591-M(102)   | TERM. NO         | 40591-M(102)  | TERM. NO         | 40591-M(102)                  | TERM. NO         | 40591-M(102)                  |  |
| BACKWALL:                                | NO   | BACKWALL:        | NO  | BACKWALL:        | YES                           | BACKWALL:        | YES                           |  |
| RAMP                                     | NO   | RAMP             | YES   | RAMP             | NO                            | RAMP             | YES                           |  |
| MOLD VOID IN CKT                         | NONE   | MOLD VOID IN CKT | NONE  | MOLD VOID IN CKT | NONE                          | MOLD VOID IN CKT | NONE                          |  |
| VOID TERM.IN CKT                         | NONE   | VOID TERM.IN CKT | NONE  | VOID TERM.IN CKT | NONE                          | VOID TERM.IN CKT | NONE                          |  |
| MATL NO                                  | ENG NO:  | MATL NO          | ENG NO:   | MATL NO          | ENG NO:                       | MATL NO          | ENG NO:                       |  |
| 09-07-1027                               | A-7675-A02M  | 09-06-1027       | A-7675-B02M   | 09-07-1028       | A-7675-C02M                   | 09-06-1028       | A-7675-D02M                   |  |
| 09-07-1037                               | A-7675-A03M  | 09-06-1037       | A-7675-B03M   | 09-07-1038       | A-7675-C03M                   | 09-06-1038       | A-7675-D03M                   |  |
| 09-07-1047                               | A-7675-A04M  | 09-06-1047       | A-7675-B04M   | 09-07-1048       | A-7675-C04M                   | 09-06-1048       | A-7675-D04M                   |  |
| 09-07-1057                               | A-7675-A05M  | 09-06-1057       | A-7675-B05M   | 09-07-1058       | A-7675-C05M                   | 09-06-1058       | A-7675-D05M                   |  |
| 09-07-1067                               | A-7675-A06M  | 09-06-1067       | A-7675-B06M   | 09-07-1068       | A-7675-C06M                   | 09-06-1068       | A-7675-D06M                   |  |
| 09-07-1077                               | A-7675-A07M  | 09-06-1077       | A-7675-B07M   | 09-07-1078       | A-7675-C07M                   | 09-06-1078       | A-7675-D07M                   |  |
| 09-07-1087                               | A-7675-A08M  | 09-06-1087       | A-7675-B08M   | 09-07-1088       | A-7675-C08M                   | 09-06-1088       | A-7675-D08M                   |  |
| 09-07-1097                               | A-7675-A09M  | 09-06-1097       | A-7675-B09M   | 09-07-1098       | A-7675-C09M                   | 09-06-1098       | A-7675-D09M                   |  |
| 09-07-1107                               | A-7675-A10M  | 09-06-1107       | A-7675-B10M   | 09-07-1108       | A-7675-C10M                   | 09-06-1108       | A-7675-D10M                   |  |
| 09-07-1117                               | A-7675-A11M  | 09-06-1117       | A-7675-B11M   | 09-07-1118       | A-7675-C11M                   | 09-06-1118       | A-7675-D11M                   |  |
| 09-07-1127                               | A-7675-A12M  | 09-06-1127       | A-7675-B12M   | 09-07-1128       | A-7675-C12M                   | 09-06-1128       | A-7675-D12M                   |  |
| 09-07-1137                               | A-7675-A13M  | 09-06-1137       | A-7675-B13M   | 09-07-1138       | A-7675-C13M                   | 09-06-1138       | A-7675-D13M                   |  |
| 09-07-1147                               | A-7675-A14M  | 09-06-1147       | A-7675-B14M   | 09-07-1148       | A-7675-C14M                   | 09-06-1148       | A-7675-D14M                   |  |
| 09-07-1157                               | A-7675-A15M  | 09-06-1157       | A-7675-B15M   | 09-07-1158       | A-7675-C15M                   | 09-06-1158       | A-7675-D15M                   |  |
| 09-07-1167                               | A-7675-A16M  | 09-06-1167       | A-7675-B16M   | 09-07-1168       | A-7675-C16M                   | 09-06-1168       | A-7675-D16M                   |  |
| 09-07-1177                               | A-7675-A17M  | 09-06-1177       | A-7675-B17M   | 09-07-1178       | A-7675-C17M                   | 09-06-1178       | A-7675-D17M                   |  |
| 09-07-1187                               | A-7675-A18M  | 09-06-1187       | A-7675-B18M   | 09-07-1188       | A-7675-C18M                   | 09-06-1188       | A-7675-D18M                   |  |
| 09-07-1197                               | A-7675-A19M  | 09-06-1197       | A-7675-B19M   | 09-07-1198       | A-7675-C19M                   | 09-06-1198       | A-7675-D19M                   |  |
| 09-07-1207                               | A-7675-A20M  | 09-06-1207       | A-7675-B20M   | 09-07-1208       | A-7675-C20M                   | 09-06-1208       | A-7675-D20M                   |  |
| 09-07-1217                               | A-7675-A21M  | 09-06-1217       | A-7675-B21M   | 09-07-1218       | A-7675-C21M                   | 09-06-1218       | A-7675-D21M                   |  |
| 09-07-1227                               | A-7675-A22M  | 09-06-1227       | A-7675-B22M   | 09-07-1228       | A-7675-C22M                   | 09-06-1228       | A-7675-D22M                   |  |
| 09-07-1237                               | A-7675-A23M  | 09-06-1237       | A-7675-B23M   | 09-07-1238       | A-7675-C23M                   | 09-06-1238       | A-7675-D23M                   |  |
| 09-07-1247                               | A-7675-A24M  | 09-06-1247       | A-7675-B24M   | 09-07-1248       | A-7675-C24M                   | 09-06-1248       | A-7675-D24M                   |  |
| REVISION:<br><b>AZ3</b>                  | ECR/ECN INFORMATION:<br>EC No.: <b>UCP2010-0214</b><br>DATE: <b>12/17/2009</b> |                  | TITLE:<br><b>CONNECTOR ASSEMBLY<br/>KK (3.96)/.156 CENTER<br/>INSULATION DISPLACEMENT</b> |                  |                               |                  | SHEET No.<br><b>17</b>        |  |
| DOCUMENT NUMBER:<br><b>SDA-7675-****</b> |  |                  | CREATED / REVISED BY:<br><b>MKIPPER</b>   |                  | CHECKED BY:<br><b>SSOUSEK</b> |                  | APPROVED BY:<br><b>FSMITH</b> |  |

| A-7675-ANMA      |              | A-7675-BNMA      |              | A-7675-CNMA      |              | A-7675-DNMA      |              |
|------------------|--------------|------------------|--------------|------------------|--------------|------------------|--------------|
| HOUSING          | 7674-AN      | HOUSING          | 7674-BN      | HOUSING          | 7674-CN      | HOUSING          | 7674-DN      |
| TERM. NO         | 40591-M(502) | TERM. NO         | 40591-M(502) | TERM. NO         | 40591-M(502) | TERM. NO         | 40591-M(502) |
| BACKWALL:        | NO           | BACKWALL:        | NO           | BACKWALL:        | YES          | BACKWALL:        | YES          |
| RAMP             | NO           | RAMP             | YES          | RAMP             | NO           | RAMP             | YES          |
| MOLD VOID IN CKT | NONE         | MOLD VOID IN CKT | NONE         | MOLD VOID IN CKT | NONE         | MOLD VOID IN CKT | NONE         |
| VOID TERM.IN CKT | NONE         | VOID TERM.IN CKT | NONE         | VOID TERM.IN CKT | NONE         | VOID TERM.IN CKT | NONE         |
| MATL NO          | ENG NO:      | MATL NO          | ENG NO:      | MATL NO          | ENG NO:      | MATL NO          | ENG NO:      |
|                  | A-7675-A02MA |                  | A-7675-B02MA |                  | A-7675-C02MA |                  | A-7675-D02MA |
|                  | A-7675-A03MA |                  | A-7675-B03MA |                  | A-7675-C03MA |                  | A-7675-D03MA |
|                  | A-7675-A04MA |                  | A-7675-B04MA |                  | A-7675-C04MA |                  | A-7675-D04MA |
|                  | A-7675-A05MA |                  | A-7675-B05MA |                  | A-7675-C05MA |                  | A-7675-D05MA |
|                  | A-7675-A06MA |                  | A-7675-B06MA |                  | A-7675-C06MA |                  | A-7675-D06MA |
|                  | A-7675-A07MA |                  | A-7675-B07MA |                  | A-7675-C07MA | 26-32-1074       | A-7675-D07MA |
|                  | A-7675-A08MA |                  | A-7675-B08MA |                  | A-7675-C08MA | 26-32-1084       | A-7675-D08MA |
|                  | A-7675-A09MA |                  | A-7675-B09MA | 09-07-7091       | A-7675-C09MA |                  | A-7675-D09MA |
|                  | A-7675-A10MA |                  | A-7675-B10MA | 26-32-1102       | A-7675-C10MA | 26-32-1104       | A-7675-D10MA |
|                  | A-7675-A11MA |                  | A-7675-B11MA |                  | A-7675-C11MA |                  | A-7675-D11MA |
|                  | A-7675-A12MA |                  | A-7675-B12MA |                  | A-7675-C12MA | 26-32-1124       | A-7675-D12MA |
|                  | A-7675-A13MA |                  | A-7675-B13MA |                  | A-7675-C13MA |                  | A-7675-D13MA |
| 26-32-1141       | A-7675-A14MA | 26-32-1143       | A-7675-B14MA |                  | A-7675-C14MA |                  | A-7675-D14MA |
|                  | A-7675-A15MA | 26-32-1153       | A-7675-B15MA |                  | A-7675-C15MA |                  | A-7675-D15MA |
|                  | A-7675-A16MA |                  | A-7675-B16MA | 26-32-1162       | A-7675-C16MA |                  | A-7675-D16MA |
|                  | A-7675-A17MA |                  | A-7675-B17MA |                  | A-7675-C17MA |                  | A-7675-D17MA |
| 26-32-1181       | A-7675-A18MA |                  | A-7675-B18MA | 26-32-1182       | A-7675-C18MA |                  | A-7675-D18MA |
|                  | A-7675-A19MA |                  | A-7675-B19MA |                  | A-7675-C19MA |                  | A-7675-D19MA |
| 26-32-1201       | A-7675-A20MA | 26-32-1203       | A-7675-B20MA |                  | A-7675-C20MA |                  | A-7675-D20MA |
|                  | A-7675-A21MA |                  | A-7675-B21MA |                  | A-7675-C21MA |                  | A-7675-D21MA |
|                  | A-7675-A22MA |                  | A-7675-B22MA |                  | A-7675-C22MA |                  | A-7675-D22MA |
|                  | A-7675-A23MA |                  | A-7675-B23MA |                  | A-7675-C23MA |                  | A-7675-D23MA |
|                  | A-7675-A24MA |                  | A-7675-B24MA |                  | A-7675-C24MA |                  | A-7675-D24MA |

|  |  |   |                               |
|--|--|---|-------------------------------|
| REVISION:<br><b>AZ3</b>                  | ECR/ECN INFORMATION:<br>EC No.: <b>UCP2010-0214</b><br>DATE: <b>12/17/2009</b> | TITLE:<br><b>CONNECTOR ASSEMBLY<br/>KK (3.96)/.156 CENTER<br/>INSULATION DISPLACEMENT</b> | SHEET No.<br><b>18</b>        |
| DOCUMENT NUMBER:<br><b>SDA-7675-****</b> | CREATED / REVISED BY:<br><b>MKIPPER</b>  | CHECKED BY:<br><b>SSOUSEK</b>   | APPROVED BY:<br><b>FSMITH</b> |

| A-7675-ANMH                              |  | A-7675-BNMH      |   | A-7675-CNMH      |                               | A-7675-DNMH      |                               |  |
|--|--|------------------|---|------------------|-------------------------------|------------------|-------------------------------|--|
| HOUSING                                  | 7674-AN  | HOUSING          | 7674-BN   | HOUSING          | 7674-CN                       | HOUSING          | 7674-DN                       |  |
| TERM. NO                                 | 40591-M(555)   | TERM. NO         | 40591-M(555)  | TERM. NO         | 40591-M(555)                  | TERM. NO         | 40591-M(555)                  |  |
| BACKWALL:                                | NO   | BACKWALL:        | NO  | BACKWALL:        | YES                           | BACKWALL:        | YES                           |  |
| RAMP                                     | NO   | RAMP             | YES   | RAMP             | NO                            | RAMP             | YES                           |  |
| MOLD VOID IN CKT                         | NONE   | MOLD VOID IN CKT | NONE  | MOLD VOID IN CKT | NONE                          | MOLD VOID IN CKT | NONE                          |  |
| VOID TERM.IN CKT                         | NONE   | VOID TERM.IN CKT | NONE  | VOID TERM.IN CKT | NONE                          | VOID TERM.IN CKT | NONE                          |  |
| MATL NO                                  | ENG NO:  | MATL NO          | ENG NO:   | MATL NO          | ENG NO:                       | MATL NO          | ENG NO:                       |  |
|  | A-7675-A02MH   |                  | A-7675-B02MH  |                  | A-7675-C02MH                  | 26-32-7024       | A-7675-D02MH                  |  |
|  | A-7675-A03MH   | 26-32-7032       | A-7675-B03MH  |                  | A-7675-C03MH                  | 26-32-7034       | A-7675-D03MH                  |  |
|  | A-7675-A04MH   |                  | A-7675-B04MH  |                  | A-7675-C04MH                  | 26-32-7044       | A-7675-D04MH                  |  |
|  | A-7675-A05MH   |                  | A-7675-B05MH  |                  | A-7675-C05MH                  | 26-32-7054       | A-7675-D05MH                  |  |
|  | A-7675-A06MH   | 26-32-7062       | A-7675-B06MH  | 26-32-7063       | A-7675-C06MH                  | 26-32-7064       | A-7675-D06MH                  |  |
|  | A-7675-A07MH   |                  | A-7675-B07MH  |                  | A-7675-C07MH                  | 26-32-7074       | A-7675-D07MH                  |  |
|  | A-7675-A08MH   | 26-32-7082       | A-7675-B08MH  |                  | A-7675-C08MH                  | 26-32-7084       | A-7675-D08MH                  |  |
|  | A-7675-A09MH   |                  | A-7675-B09MH  |                  | A-7675-C09MH                  | 26-32-7094       | A-7675-D09MH                  |  |
|  | A-7675-A10MH   |                  | A-7675-B10MH  |                  | A-7675-C10MH                  | 26-32-7104       | A-7675-D10MH                  |  |
|  | A-7675-A11MH   |                  | A-7675-B11MH  |                  | A-7675-C11MH                  | 26-32-7114       | A-7675-D11MH                  |  |
|  | A-7675-A12MH   |                  | A-7675-B12MH  |                  | A-7675-C12MH                  | 26-32-7124       | A-7675-D12MH                  |  |
|  | A-7675-A13MH   |                  | A-7675-B13MH  |                  | A-7675-C13MH                  | 26-32-7134       | A-7675-D13MH                  |  |
|  | A-7675-A14MH   |                  | A-7675-B14MH  |                  | A-7675-C14MH                  | 26-32-7144       | A-7675-D14MH                  |  |
|  | A-7675-A15MH   |                  | A-7675-B15MH  |                  | A-7675-C15MH                  | 26-32-7154       | A-7675-D15MH                  |  |
|  | A-7675-A16MH   |                  | A-7675-B16MH  |                  | A-7675-C16MH                  | 26-32-7164       | A-7675-D16MH                  |  |
|  | A-7675-A17MH   |                  | A-7675-B17MH  |                  | A-7675-C17MH                  | 26-32-7174       | A-7675-D17MH                  |  |
|  | A-7675-A18MH   |                  | A-7675-B18MH  |                  | A-7675-C18MH                  | 26-32-7184       | A-7675-D18MH                  |  |
|  | A-7675-A19MH   |                  | A-7675-B19MH  |                  | A-7675-C19MH                  | 26-32-7194       | A-7675-D19MH                  |  |
|  | A-7675-A20MH   |                  | A-7675-B20MH  |                  | A-7675-C20MH                  | 26-32-7204       | A-7675-D20MH                  |  |
|  | A-7675-A21MH   |                  | A-7675-B21MH  |                  | A-7675-C21MH                  | 26-32-7214       | A-7675-D21MH                  |  |
|  | A-7675-A22MH   |                  | A-7675-B22MH  |                  | A-7675-C22MH                  | 26-32-7224       | A-7675-D22MH                  |  |
|  | A-7675-A23MH   |                  | A-7675-B23MH  |                  | A-7675-C23MH                  | 26-32-7234       | A-7675-D23MH                  |  |
|  | A-7675-A24MH   |                  | A-7675-B24MH  |                  | A-7675-C24MH                  | 26-32-7244       | A-7675-D24MH                  |  |
| REVISION:<br><b>AZ3</b>                  | ECR/ECN INFORMATION:<br>EC No.: UCP2010-0214<br>DATE: 12/17/2009 |                  | TITLE:<br><b>CONNECTOR ASSEMBLY<br/>KK (3.96)/.156 CENTER<br/>INSULATION DISPLACEMENT</b> |                  |                               |                  | SHEET No.<br><b>19</b>        |  |
| DOCUMENT NUMBER:<br><b>SDA-7675-****</b> |  |                  | CREATED / REVISED BY:<br><b>MKIPPER</b>   |                  | CHECKED BY:<br><b>SSOUSEK</b> |                  | APPROVED BY:<br><b>FSMITH</b> |  |









