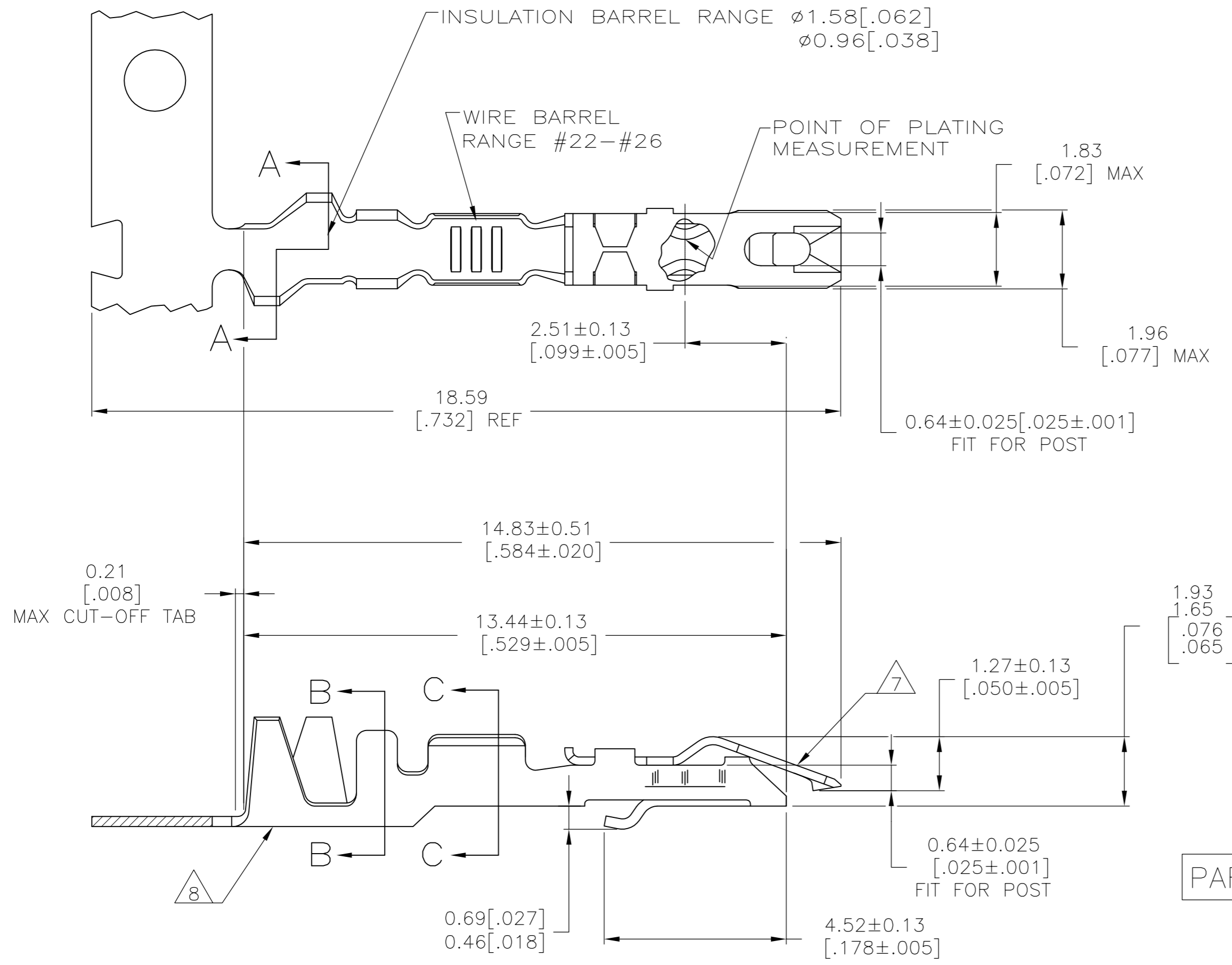


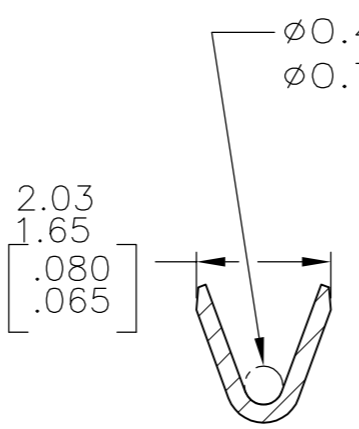
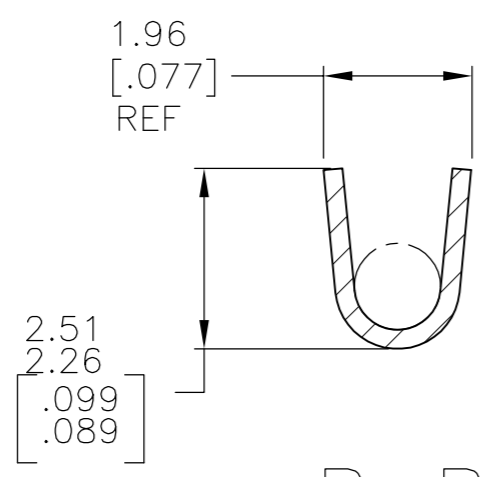
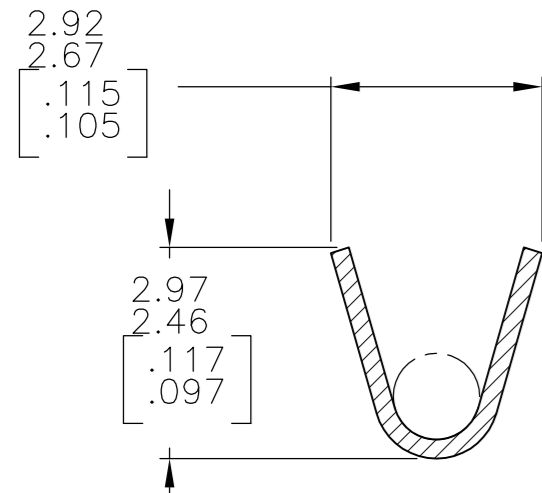
THIS DRAWING IS UNPUBLISHED. RELEASED FOR PUBLICATION
 © COPYRIGHT - By - ALL RIGHTS RESERVED.

REVISIONS					
P	LTR	DESCRIPTION	DATE	DWN	APVD
S1		REVISED PER ECO-11-004820	11MAR11	RK	HMR
S2		REVISED PER ECO-16-006924	28APR2017	RS	JO



- 1 REELED FOR MINI-APPLICATOR.
- 2 REELED FOR STRIPPER CRIMPER.
- 3 PLATED WITH 0.00076[.00030] GOLD IN CONTACT AREA, GOLD FLASH ON REMAINDER, OVER 0.00127[.000050] NICKEL.
- 4 PLATED WITH 0.00127[.000050] GOLD IN CONTACT AREA, GOLD FLASH ON REMAINDER, OVER 0.00127[.000050] NICKEL.
- 5 PLATED WITH 0.00254[.000100] TIN-LEAD OVER 0.00127[.000050] NICKEL - ENTIRE CONTACT.
- 6 PLATED WITH 0.00127[.000050] GOLD OVER 0.00127[.000050] NICKEL - ENTIRE CONTACT.
- 7 SPRING MATERIAL: STAINLESS STEEL.
- 8 BODY MATERIAL: PHOS BRONZE - FINISH: SEE TABLE.
- 9 PLATED WITH .000100 TIN OVER .000050 NICKEL OVER ENTIRE CONTACT.

PART NUMBER 1-87124-2 SUPERCEDED BY 5-87124-2



Ø0.46[.018] MUST BOTTOM IN WIRE BARREL
 Ø0.79[.031] MUST NOT BOTTOM IN WIRE BARREL.

OBsolete
 OBsolete

1	3	9-87165-1	9-87124-1
1	9	5-87165-2	5-87124-2
1	9	-	1-87124-2
2	3	87165-1	1-87124-1
-	6	87165-4	87124-4
1	4	87165-3	87124-3
1	5	87165-2	87124-2
1	3	87165-1	87124-1
REMARKS	BODY FINISH	PART NO (LOOSE PIECE)	PART NUMBER (STRIP)

THIS DRAWING IS A CONTROLLED DOCUMENT.		DWN E. BRANDBERG 23SEP94	TE Connectivity	
DIMENSIONS: mm [INCHES]		CHK S. SHUEY 23SEP94		
TOLERANCES UNLESS OTHERWISE SPECIFIED:		APVD D. DUPLER 23SEP94	NAME CONTACT - LOCKING CLIP FOR 0.64[.025] SQUARE POST	
0 PLC ± -		PRODUCT SPEC -	SIZE A2 CAGE CODE 00779 DRAWING NO C=87124	
1 PLC ± -		APPLICATION SPEC -	RESTRICTED TO -	
2 PLC ± -		WEIGHT -	SCALE 10:1 SHEET 1 of 1	
3 PLC ± -		CUSTOMER DRAWING	REV S2	
4 PLC ± -		FINISH SEE TABLE		
ANGLES ± -				
MATERIAL SEE CALLOUT				