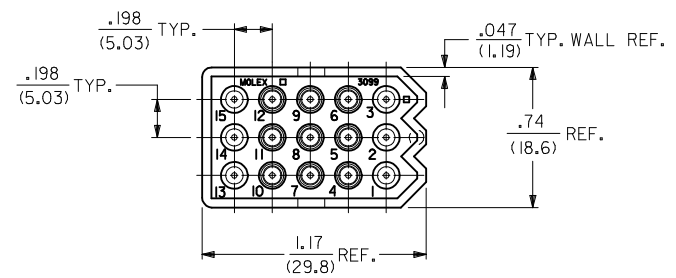
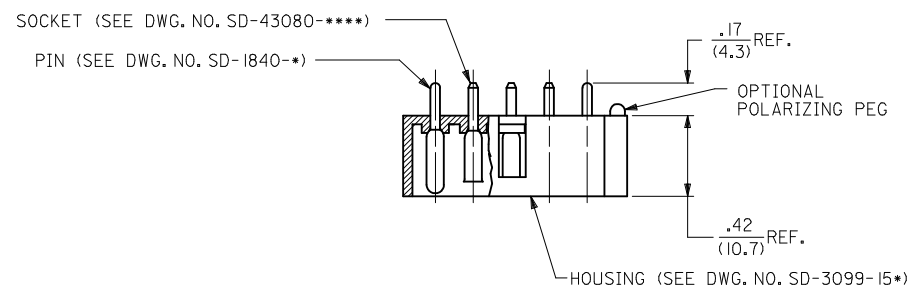
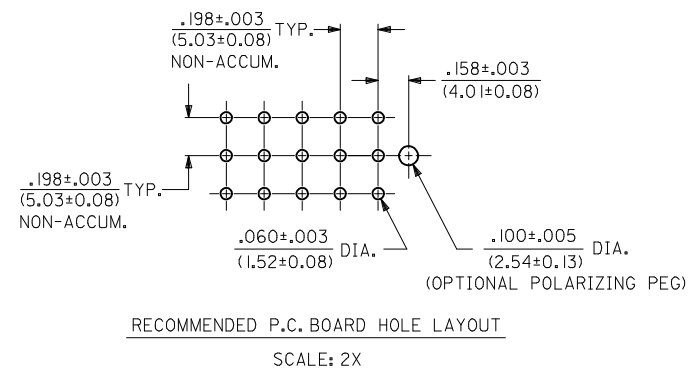


13	12	11	10	9	8	7	6	5	4	3	2	1											
PART NO.	ENG. NUMBER	TERMINAL LOCATION (SEE CHART)	MAT'L	POLAR. PEG	PLATING (SEE CHART)	TERMINAL LOCATION CHART (M=MALE, F=FEMALE, B=BLANK)							PLATING CODE	PLATING									
10-18-1150	A-3099-1501	A	V-0	YES	B	CIRCUIT LOCATION							A	UNPLATED									
						TERM. LOC. CODE	1	2	3	4	5	6	7	8	9	10	11	12	13	14	15	B	.000200/(0.00508) MIN. ELECTRO TIN OVER .000100/(0.00254) MIN. COPPER (PINS ONLY) POST PLATE .000050-.000150/(0.00127-0.00381) BRIGHT TIN-LEAD [90/10] OVER .000030-.000080/(0.00076-0.00203) NICKEL (SOCKETS ONLY)
						A	M	M	M	M	M	M	M	M	M	M	M	M	M	M	M		

--	--	--	--	--	--	--	--	--	--	--	--	--	--	--	--	--	--	--	--	--	--	--	--

--	--	--	--	--	--	--	--	--	--	--	--	--	--	--	--	--	--	--	--	--	--	--	--



- NOTES:
- MATERIAL:  
HOUSING: UNFILLED POLYESTER, 94V-0, COLOR-BLACK  
PIN TERMINAL: CARTRIDGE BRASS, ALLOY NO. C26000  
SOCKET TERMINAL: PHOSPHOR BRONZE, ALLOY NO. C51000
  - MATES WITH MOLEX I375 RECEPTACLES AND .093/(2.36) SERIES TERMINALS.
  - ASSEMBLIES TO BE MOUNTED ON SUPPORTED EDGE OF P.C. BOARD.
  - WHERE MALE TERMINALS ARE USED, MATING CONNECTOR TO USE FEMALE TERMINAL WITH CLOSED SLOT IN BARREL.
  - PACKAGING SPECIFICATION: PK-3099-002

ADD PKG SPECS EC NO: UCP2013-4695 DRW:NAELHAG 2013/04/30 CHKD:JBELL 2013/04/30 APPR:FSMITH 2013/05/13 REV: D2	QUALITY SYMBOLS ▽=0 ▽=0 ▽=0	GENERAL TOLERANCES (UNLESS SPECIFIED)		DIMENSION STYLE IN/MM		SCALE 2:1	DESIGN UNITS INCH	THIRD ANGLE PROJECTION		
		4 PLACES ± --- ± --- 3 PLACES ± --- ± .010 2 PLACES ± 0.25 ± .014 1 PLACE ± 0.35 ± --- 0 PLACE ± ±	mm INCH ± --- ± --- ± .010 ± .014 ± 0.35 ± --- ± ±	DRAWN BY GEP	DATE 1989/05/25	CHECKED BY RW	DATE 1989/05/25	CONNECTOR ASSEMBLY ENCLOSED WAFER 15 CIRCUIT <b>molex</b>		
MATERIAL NO. <b>SEE CHART</b>		DOCUMENT NO. <b>SDA-3099-15**</b>		SHEET NO. 1 OF 1		THIS DRAWING CONTAINS INFORMATION THAT IS PROPRIETARY TO MOLEX INCORPORATED AND SHOULD NOT BE USED WITHOUT WRITTEN PERMISSION				