

Dual Channel Medium Power Differential Line Driver

The EL1527 is a very low power dual channel differentiated amplifier designed for central office and customer premise line driving for DMT ADSL solutions. This device features a high drive capability of 400mA while consuming only 7.5mA of supply current per amplifier from ±12V supplies. This driver achieves a typical distortion of less than -75dBc, at 1MHz into a 50Ω load.

The EL1527 has two control pins, C₀ and C₁, per channel. With the selection of C₀ and C₁, the device can be set into full-I_S power, 3/4-I_S power, 1/2-I_S power, and power-down disable modes. The EL1527 maintains excellent distortion and load driving capabilities even in the lowest power settings.

The EL1527 is available in the thermally-enhanced 28 Ld HTSSOP package. This device is specified for operation over the full -40°C to +85°C temperature range.

Ordering Information

PART NUMBER	PART MARKING	TEMP. RANGE (°C)	PACKAGE	PKG. DWG. #
EL1527CRE	1527CRE	-40 to +85	28 Ld HTSSOP	MDP0048
EL1527CRE-T7*	1527CRE	-40 to +85	28 Ld HTSSOP	MDP0048
EL1527CRE-T13*	1527CRE	-40 to +85	28 Ld HTSSOP	MDP0048
EL1527CREZ (See Note)	1527CREZ	-40 to +85	28 Ld HTSSOP (Pb-Free)	MDP0048
EL1527CREZ-T7* (See Note)	1527CREZ	-40 to +85	28 Ld HTSSOP (Pb-Free)	MDP0048
EL1527CREZ-T13 (See Note)	1527CREZ	-40 to +85	28 Ld HTSSOP (Pb-Free)	MDP0048

*Please refer to TB347 for details on reel specifications.
NOTE: These Intersil Pb-free plastic packaged products employ special Pb-free material sets, molding compounds/die attach materials, and 100% matte tin plate plus anneal (e3 termination finish, which is RoHS compliant and compatible with both SnPb and Pb-free soldering operations). Intersil Pb-free products are MSL classified at Pb-free peak reflow temperatures that meet or exceed the Pb-free requirements of IPC/JEDEC J STD-020.

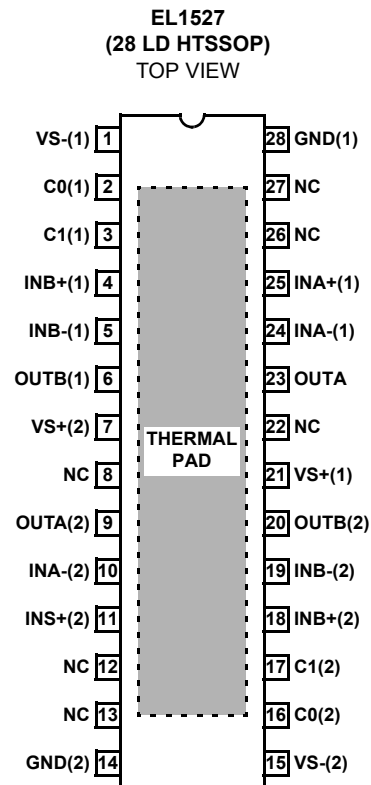
Features

- Drives 360mA at 16V_{P-P} on ±12V supplies
- 40V_{P-P} differential output drive into 100Ω
- -75dBc typical driver output distortion driving 50Ω at 1MHz and 1/2-I_S bias current
- Low quiescent current of 3.5mA per amplifier in 1/2-I_S mode
- Power-down disable mode
- Pb-free available (RoHS compliant)

Applications

- ADSL G.DMT and G.lite CO line driving
- G.SHDSL, HDSL2 line driver
- ADSL CPE line driving
- Video distribution amplifier
- Video twisted-pair line driver

Pinout



All Intersil U.S. products are manufactured, assembled and tested utilizing ISO9001 quality systems.
Intersil Corporation's quality certifications can be viewed at www.intersil.com/design/quality

Intersil products are sold by description only. Intersil Corporation reserves the right to make changes in circuit design, software and/or specifications at any time without notice. Accordingly, the reader is cautioned to verify that data sheets are current before placing orders. Information furnished by Intersil is believed to be accurate and reliable. However, no responsibility is assumed by Intersil or its subsidiaries for its use; nor for any infringements of patents or other rights of third parties which may result from its use. No license is granted by implication or otherwise under any patent or patent rights of Intersil or its subsidiaries.

For information regarding Intersil Corporation and its products, see www.intersil.com