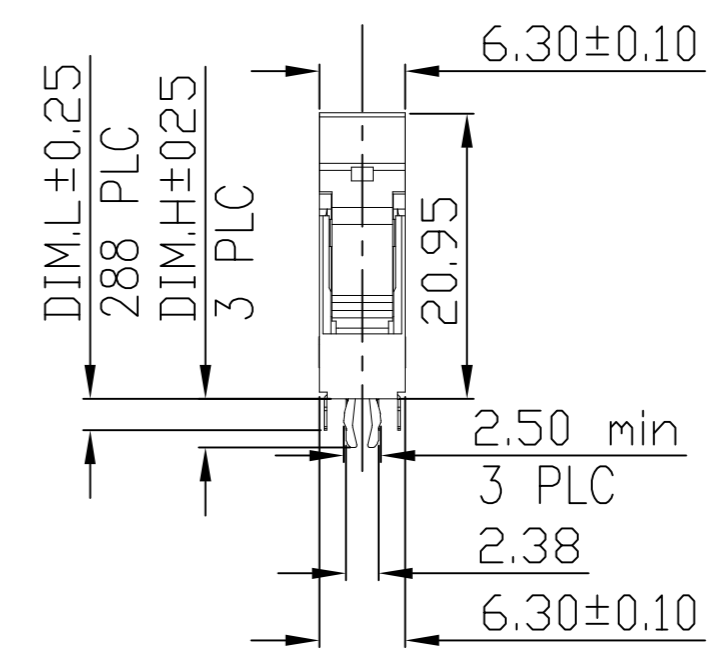
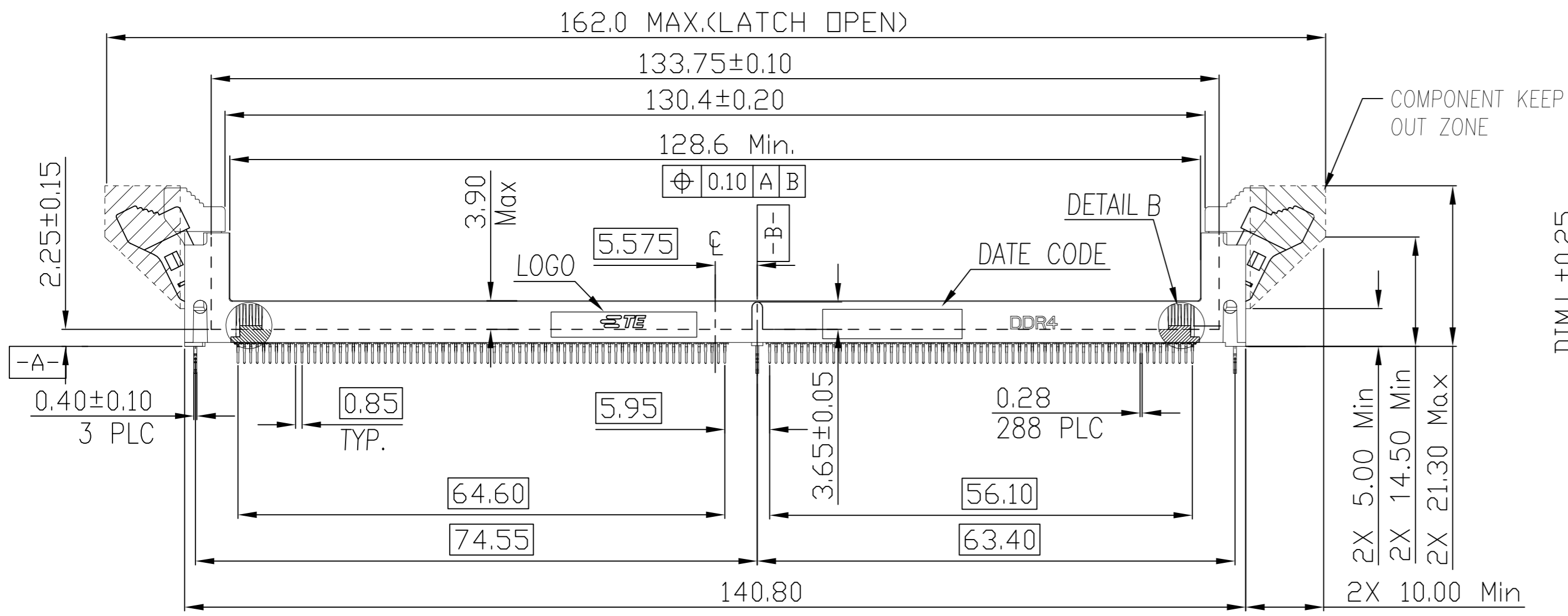
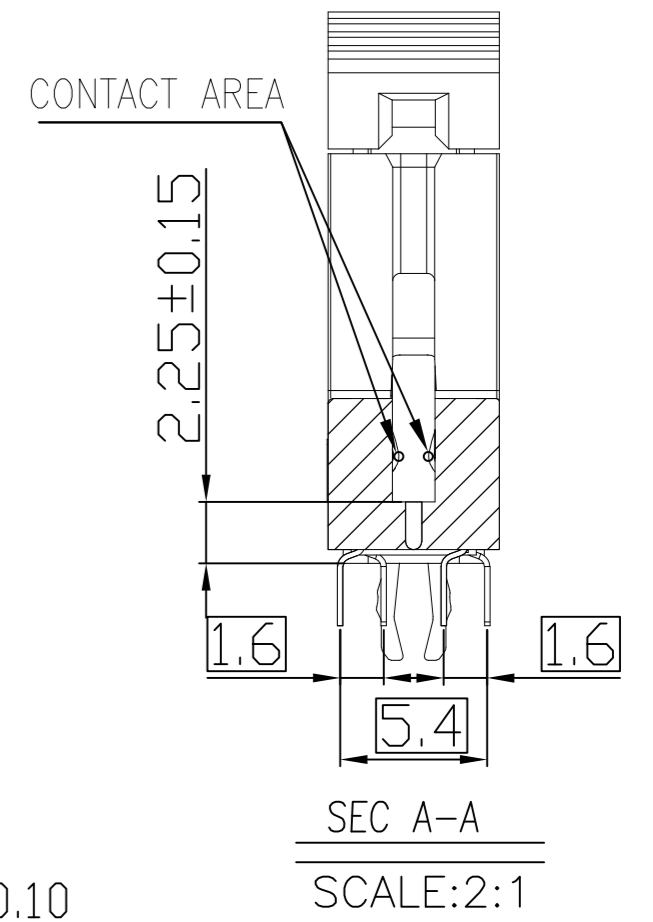
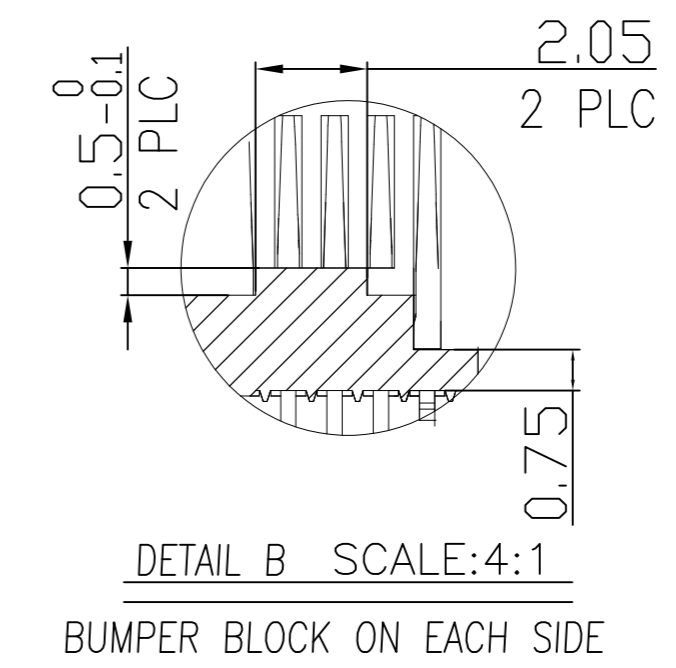
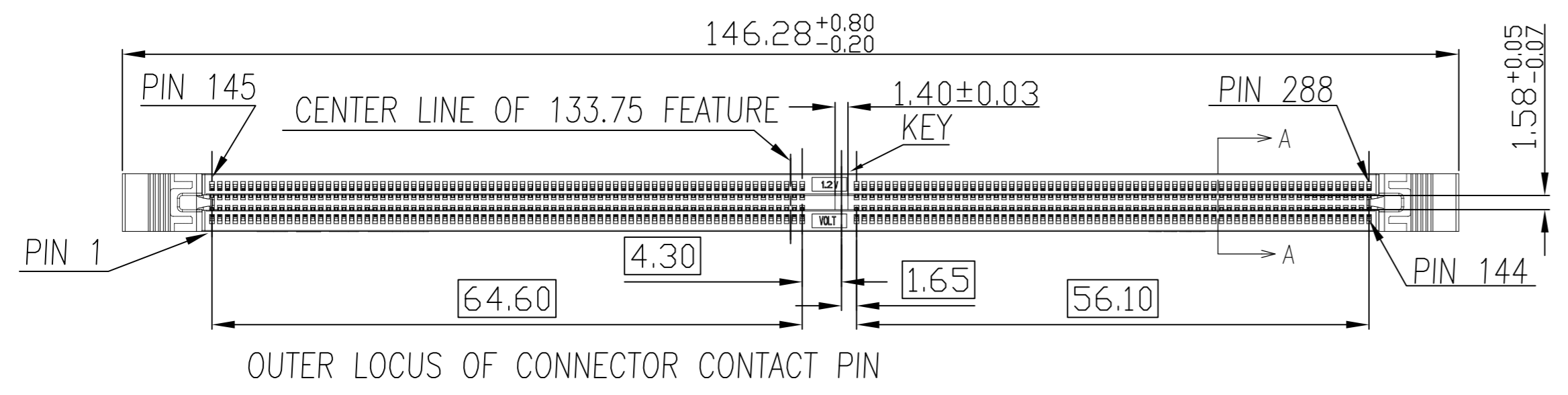


REVISIONS					
P	LTR	DESCRIPTION	DATE	DWN	APVD
18	REVISED		27DEC2017	D.Z	S.L

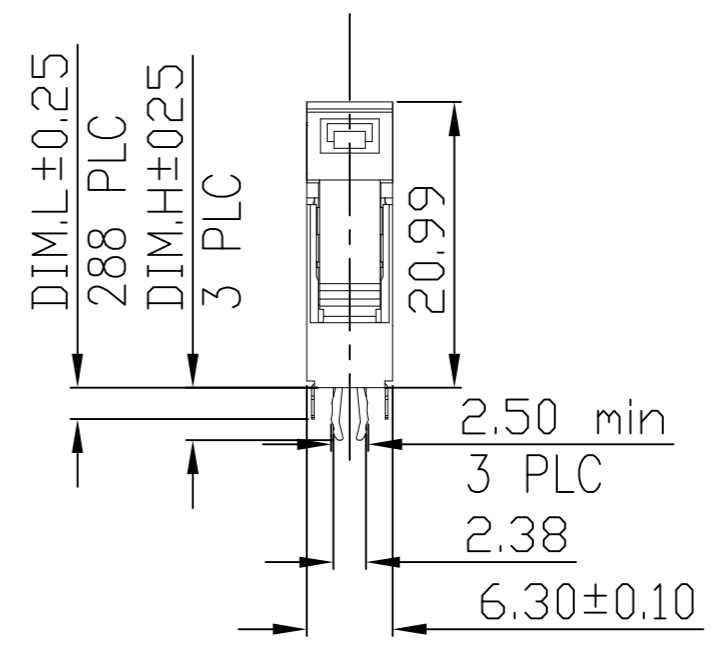
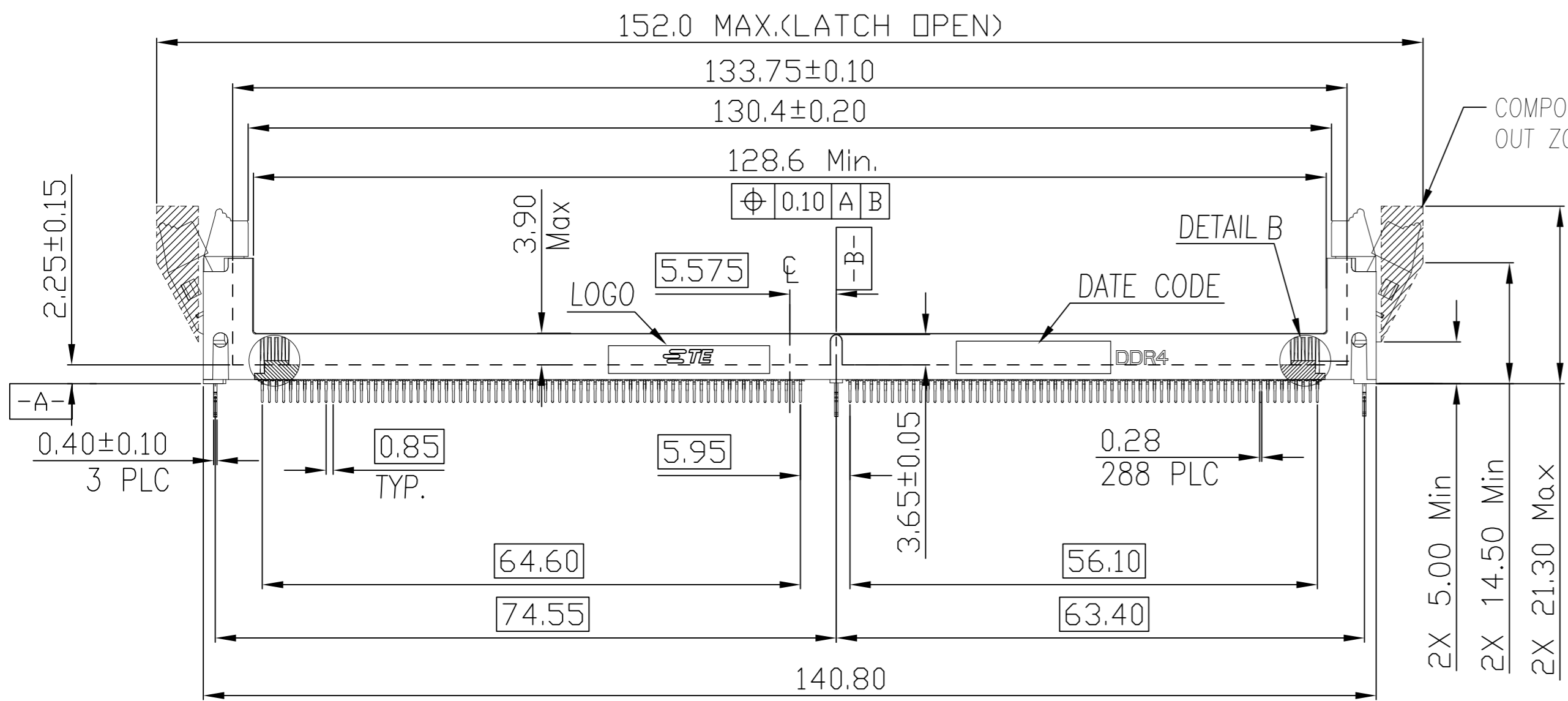
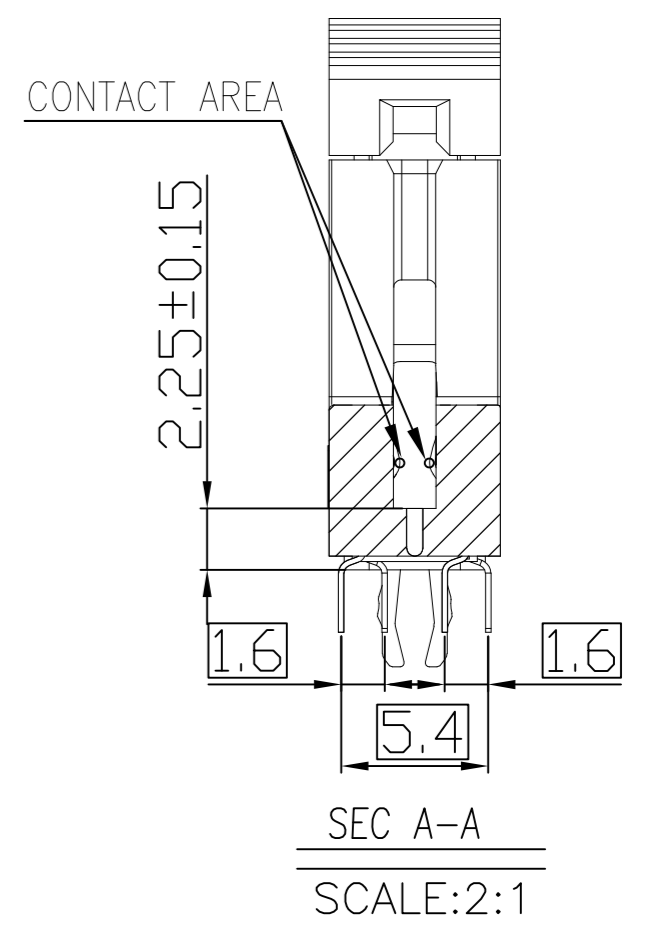
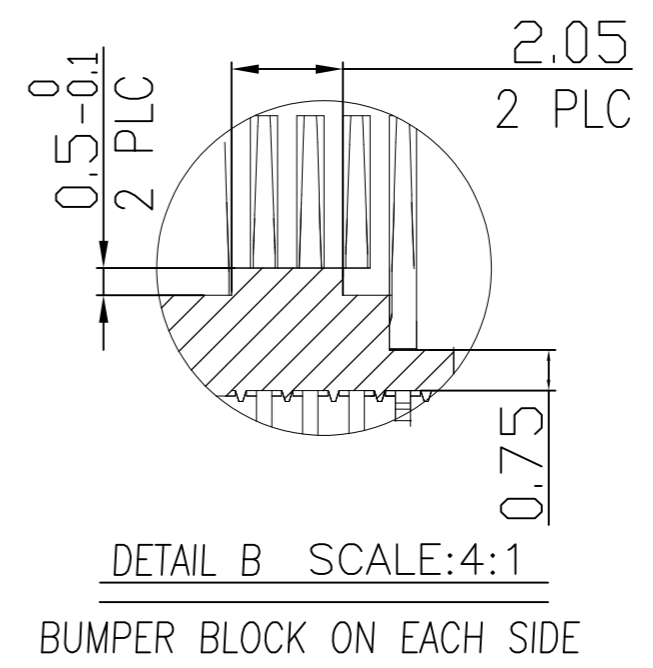
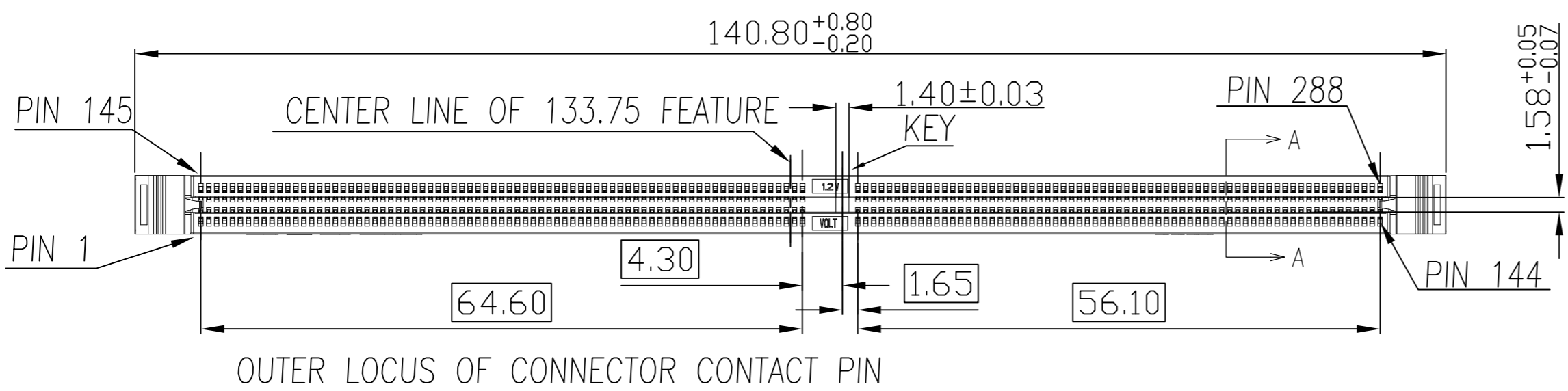


- NOTES:
- PRODUCT MEET CONTROLLED SUBSTANCES SPEC. ROHS 2.0
  - 1. MATERIAL:
    - 1.1 HOUSING: HIGH TEMPERATURE THERMOPLASTIC, UL94 V-0
    - 1.2 LATCH: HIGH TEMPERATURE THERMOPLASTIC, UL94 V-0
    - 1.3 CONTACT: COPPER ALLOY
    - 1.4 BOARD LOCK: STAINLESS STEEL
  - 2. INTERFACE FINISH:
    - (1) 0.00038 MIN THK GOLD OVER 0.00127 MIN THK NICKEL.
    - (2) GOLD FLASH OVER 0.00127 MIN THK NICKEL.
    - (3) 0.00076 MIN THK GOLD OVER 0.00127 MIN THK NICKEL
  - 3. WAVE SOLDER CAPABLE TO 270°C 10S.
  - 4. KEEP OUT AREA RESERVED FOR SOCKET EXTRACTORS, BOTH ENDS.

# DUAL LONG LATCH

THIS DRAWING IS A CONTROLLED DOCUMENT.		DWN DAVID ZHAO 15AUG2016	TE Connectivity	
DIMENSIONS: mm		CHK SIMON LI 15AUG2016		
TOLERANCES UNLESS OTHERWISE SPECIFIED:		APVD COREL WANG 15AUG2016	NAME	
0 PLC ± -		PRODUCT SPEC	SOCKET ASSEMBLY	
1 PLC ± 0.25		APPLICATION SPEC	DDR4 DIMM,T/H TYPE	
2 PLC ± 0.15		108-115124	288 POSITION	
3 PLC ± -0.10			SIZE	CAGE CODE
4 PLC ± -			A2	00779
ANGLES ± -		WEIGHT 7.3g	DRAWING NO	RESTRICTED TO
FINISH		CUSTOMER DRAWING	C=2308107	-
		SCALE 1:1	SHEET 1 of 7	REV 18

REVISIONS					
P	LTR	DESCRIPTION	DATE	DWN	APVD
-	-	SEE SHEET 1	-	-	-



# DUAL SHORT LATCH


THIS DRAWING IS A CONTROLLED DOCUMENT.		DWN DAVID ZHAO 15AUG2016			NAME	
DIMENSIONS: mm		CHK SIMON LI 15AUG2016			SOCKET ASSEMBLY	
TOLERANCES UNLESS OTHERWISE SPECIFIED:		APVD COREL WANG 15AUG2016	DDR4 DIMM,T/H TYPE		RESTRICTED TO	
0 PLC ± -		PRODUCT SPEC	288 POSITION		SIZE CAGE CODE DRAWING NO	
1 PLC ± 0.25		108-115124	A2 00779 C=2308107		SCALE 1:1 SHEET 2 OF 7 REV 18	
2 PLC ± 0.15		APPLICATION SPEC	CUSTOMER DRAWING			
3 PLC ± -0.10		WEIGHT 7.0g				
4 PLC ± -						
ANGLES ± -						
FINISH						

THIS DRAWING IS UNPUBLISHED. RELEASED FOR PUBLICATION  
 © COPYRIGHT - By - ALL RIGHTS RESERVED.


REVISIONS					
P	LTR	DESCRIPTION	DATE	DWN	APVD
-	-	SEE SHEET 1	-	-	-

SOFT TRAY	BLACK_260°C	BLACK_260°C	15u"	3.57	2.67	6-2308107-8
SOFT TRAY	NATURAL	NATURAL	15u"	3.85	3.18	6-2308107-7
SOFT TRAY	NATURAL	BLACK	15u"	3.57	2.40	6-2308107-6
SOFT TRAY	NATURAL	BLUE(2935U)	15u"	3.85	3.18	6-2308107-5
SOFT TRAY	NATURAL	BLACK	15u"	3.85	3.18	6-2308107-4
SOFT TRAY	NATURAL	BLACK	30u"	3.57	2.67	6-2308107-3
SOFT TRAY	NATURAL	NATURAL	30u"	3.85	3.18	6-2308107-2
SOFT TRAY	GREEN(375C)	BLACK	30u"	3.85	3.18	6-2308107-1
SOFT TRAY	NATURAL	BLACK	30u"	3.85	3.18	6-2308107-0
SOFT TRAY	BLACK	BLACK	30u"	3.85	3.18	5-2308107-9
SOFT TRAY	NATURAL	NATURAL	30u"	3.57	2.10	5-2308107-8
SOFT TRAY	BLACK	BLACK	30u"	3.57	2.10	5-2308107-7
SOFT TRAY	BLACK	BLACK	30u"	3.57	2.67	5-2308107-6
SOFT TRAY	NATURAL	NATURAL	30u"	3.57	2.67	5-2308107-5
SOFT TRAY	BLACK	BLACK	15u"	3.57	2.67	5-2308107-4
SOFT TRAY	NATURAL	NATURAL	15u"	3.57	2.67	5-2308107-3
SOFT TRAY	NATURAL	BLUE(2935U)	15u"	3.57	2.67	5-2308107-2
SOFT TRAY	NATURAL	BLACK	15u"	3.57	2.67	5-2308107-1
PACKING	LATCH COLOR	HOUSING COLOR	CONTACT GOLD INTERFACE 	DIM H	DIM L	PART NUMBER

SHORT LATCH TYPE

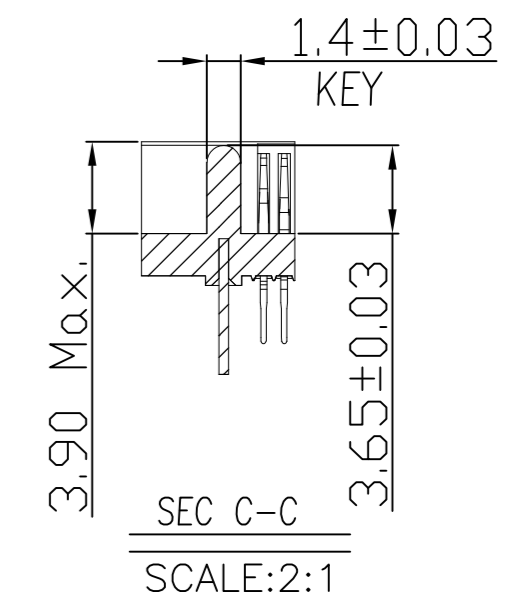
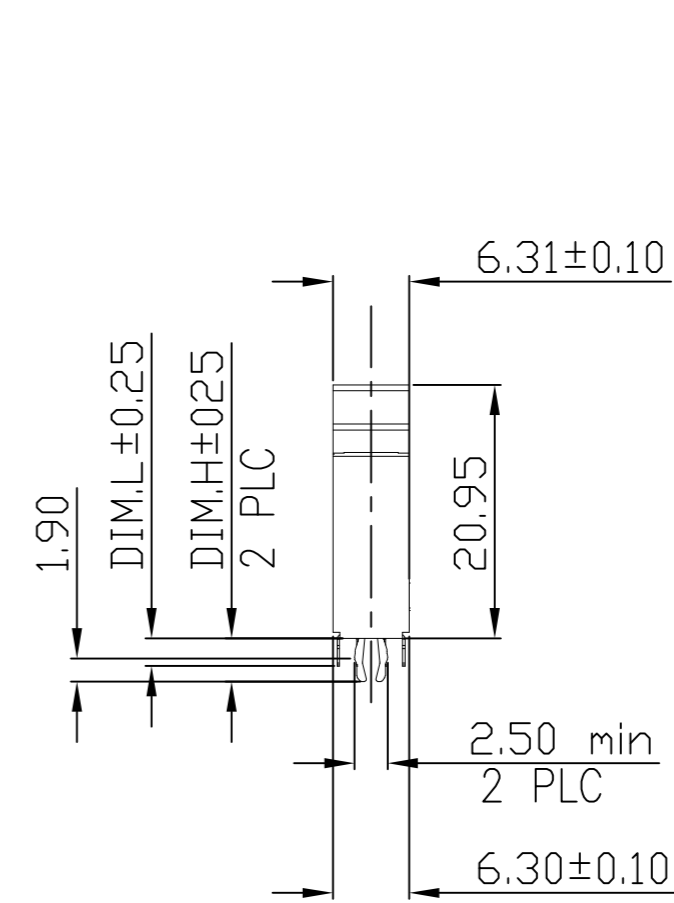
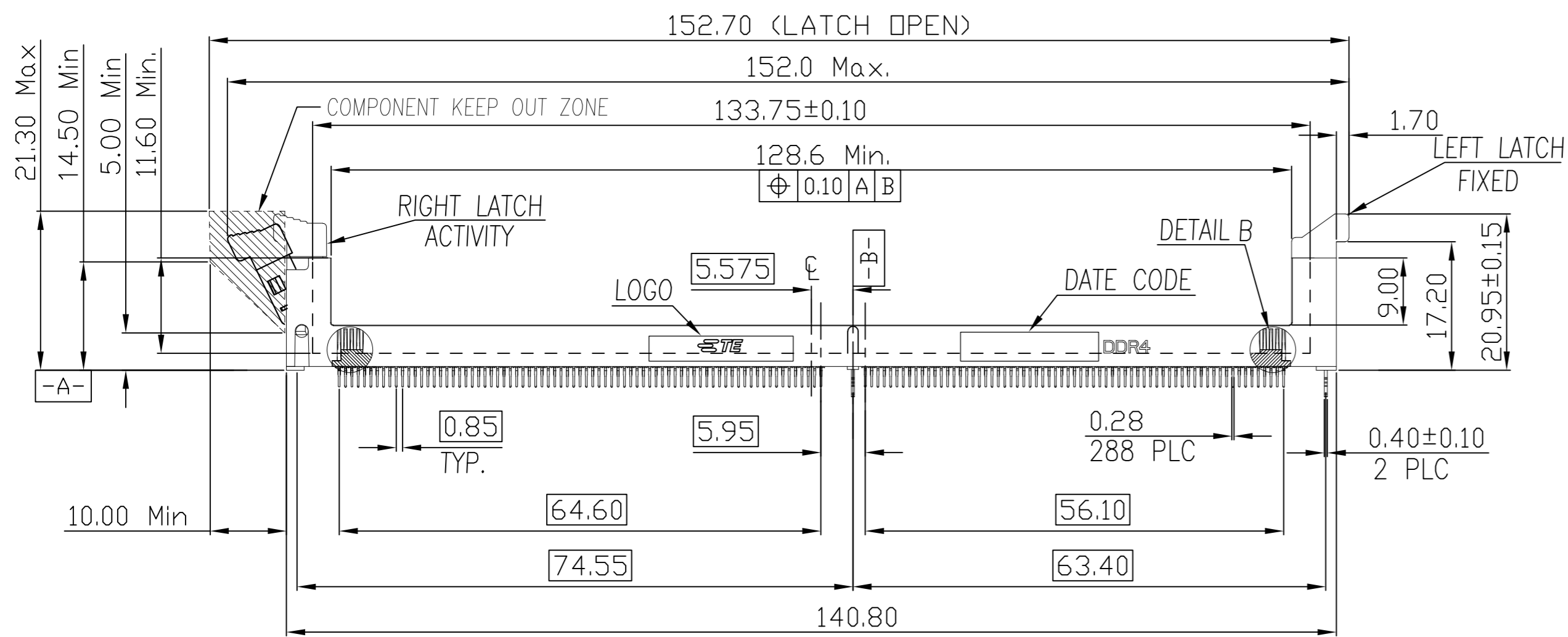
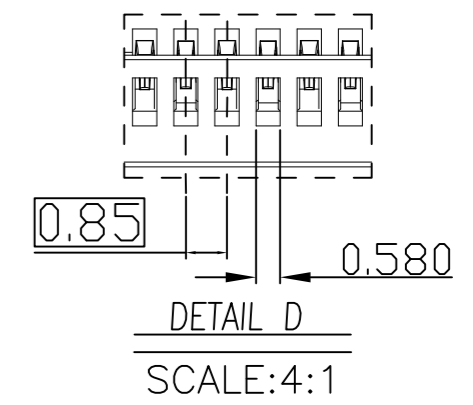
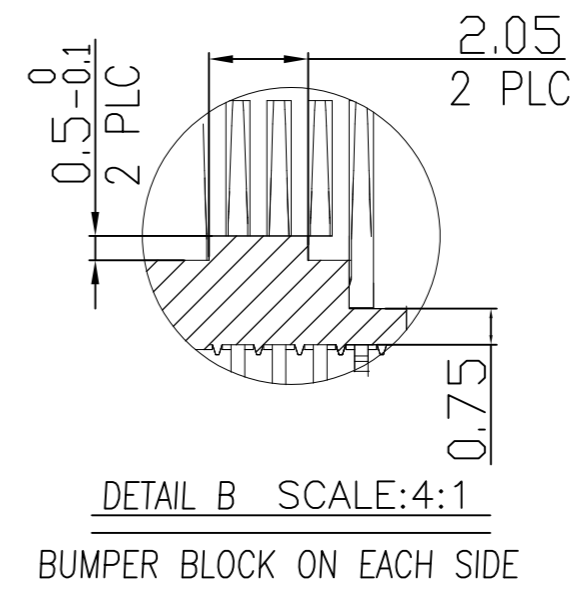
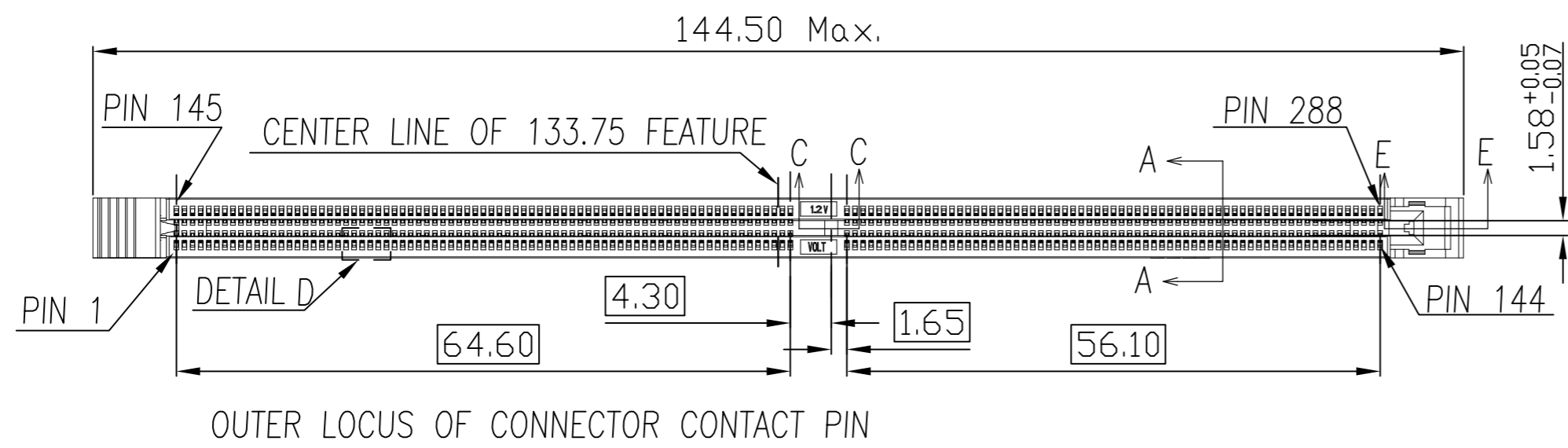
SOFT TRAY	BLUE(2935U)	BLUE(2935U)	30u"	3.85	3.18	4-2308107-2
HARD TRAY	BLUE(2935U)_260°C	BLUE(2935U)_260°C	15u"	3.85	3.18	4-2308107-1
HARD TRAY	BLACK_260°C	BLACK_260°C	15u"	3.85	3.18	4-2308107-0
SOFT TRAY	NATURAL	YELLOW(107C)	30u"	3.57	2.67	3-2308107-5
SOFT TRAY	NATURAL	YELLOW(107C)	30u"	3.57	2.40	3-2308107-1
SOFT TRAY	NATURAL	BLACK	30u"	3.57	2.40	3-2308107-0
SOFT TRAY	NATURAL	BLACK	15u"	3.57	2.67	2-2308107-7
SOFT TRAY	NATURAL	BLUE(2935U)	15u"	3.57	2.67	2-2308107-4
SOFT TRAY	NATURAL	BLACK	30u"	3.57	2.40	2-2308107-3
SOFT TRAY	NATURAL	BLACK	30u"	3.85	3.18	2-2308107-2
SOFT TRAY	NATURAL	BLACK	15u"	3.57	2.40	2-2308107-1
SOFT TRAY	BLUE(2935U)	BLUE(2935U)	15u"	3.85	3.18	2-2308107-0
SOFT TRAY	GREEN(375C)	GREEN(375C)	15u"	3.85	3.18	1-2308107-9
SOFT TRAY	NATURAL	NATURAL	15u"	3.85	3.18	1-2308107-8
SOFT TRAY	BLACK	BLACK	15u"	3.85	3.18	1-2308107-7
SOFT TRAY	BLACK	BLACK	30u"	3.57	2.10	1-2308107-6
SOFT TRAY	NATURAL	BLACK	30u"	3.57	2.10	1-2308107-5
SOFT TRAY	GREEN(375C)	BLACK	30u"	3.57	2.10	1-2308107-4
SOFT TRAY	BLACK	BLACK	30u"	3.57	2.67	1-2308107-3
SOFT TRAY	NATURAL	BLACK	30u"	3.57	2.67	1-2308107-2
SOFT TRAY	GREEN(375C)	BLACK	30u"	3.57	2.67	1-2308107-1
SOFT TRAY	NATURAL	BLACK	15u"	3.57	2.10	1-2308107-0
SOFT TRAY	NATURAL	BLUE(2935U)	15u"	3.57	2.10	2308107-9
SOFT TRAY	NATURAL	GREEN(375C)	15u"	3.57	2.10	2308107-8
SOFT TRAY	NATURAL	BLACK	15u"	3.85	3.18	2308107-7
SOFT TRAY	NATURAL	BLUE(2935U)	15u"	3.85	3.18	2308107-6
SOFT TRAY	NATURAL	NATURAL	30u"	3.57	2.40	2308107-5
SOFT TRAY	BLACK	BLACK	30u"	3.57	2.40	2308107-4
SOFT TRAY	NATURAL	GREEN(375C)	15u"	3.57	2.40	2308107-3
SOFT TRAY	NATURAL	BLUE(2935U)	15u"	3.57	2.40	2308107-2
SOFT TRAY	BLACK	BLACK	15u"	3.57	2.40	2308107-1
PACKING	LATCH COLOR	HOUSING COLOR	CONTACT GOLD INTERFACE 	DIM H	DIM L	PART NUMBER

LONG LATCH TYPE

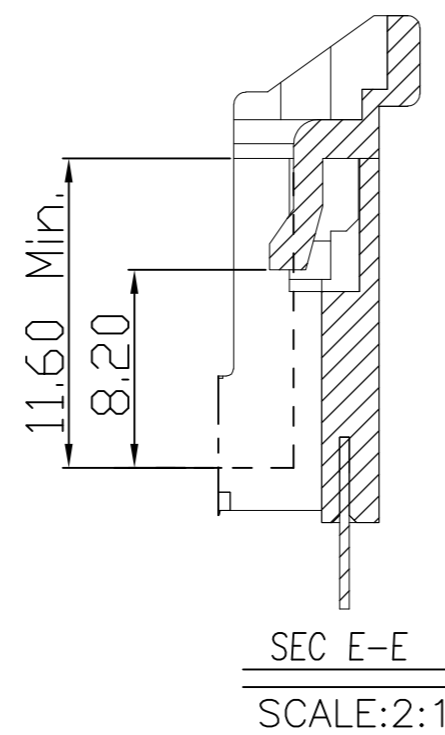
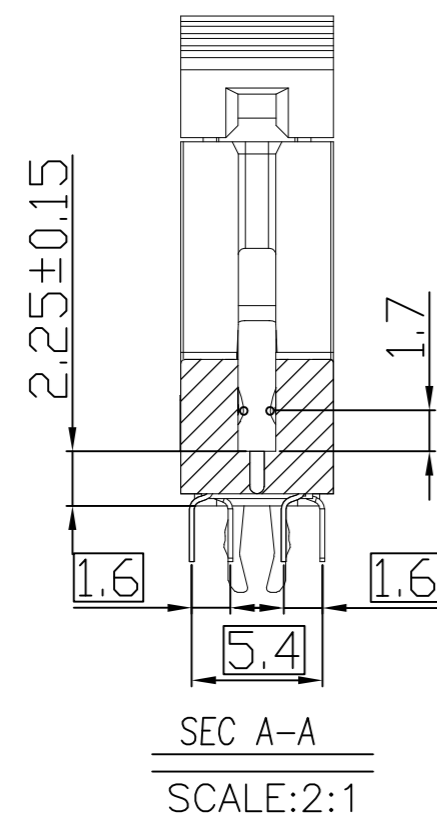
THIS DRAWING IS A CONTROLLED DOCUMENT.		DWN DAVID ZHAO 15AUG2016	 TE Connectivity	
DIMENSIONS: mm		CHK SIMON LI 15AUG2016		
TOLERANCES UNLESS OTHERWISE SPECIFIED:		APVD COREL WANG 15AUG2016	NAME	
0 PLC ± -		PRODUCT SPEC	SOCKET ASSEMBLY	
1 PLC ± 0.25		APPLICATION SPEC	DDR4 DIMM,T/H TYPE	
2 PLC ± 0.15		WEIGHT -	288 POSITION	
3 PLC ± -0.10		SCALE 1:1	RESTRICTED TO	
4 PLC ± -		SHEET 3 OF 7	REV 18	
ANGLES ± -		CUSTOMER DRAWING	-	
FINISH -		A2 00779 C=2308107		

THIS DRAWING IS UNPUBLISHED. RELEASED FOR PUBLICATION  
 © COPYRIGHT - By - ALL RIGHTS RESERVED.

REVISIONS					
P	LTR	DESCRIPTION	DATE	DWN	APVD
-	-	SEE SHEET 1	-	-	-



# LEFT ACTIVITY LATCH

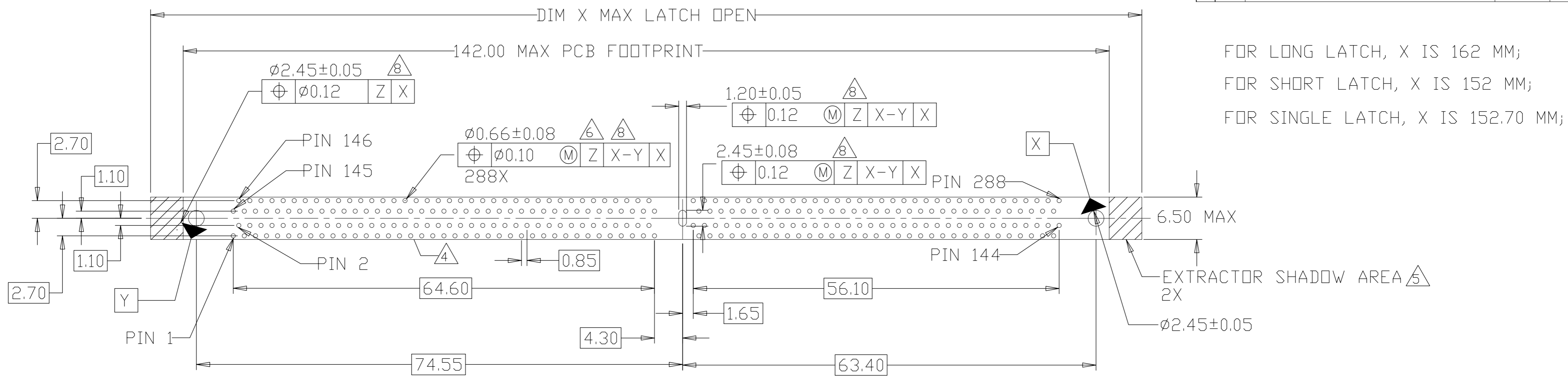


NATURAL	NATURAL	BLUE(2935U)	15u" MIN.	3.85	2.67	9-2308107-2
FIXED LATCH COLOR	ACTIVITY LATCH COLOR	BLACK	CONTACT GOLD INTERFACE	3.85	2.67	9-2308107-1
		HOUSING COLOR		DIM H	DIM L	PART NUMBER

THIS DRAWING IS A CONTROLLED DOCUMENT.		DWN DAVID ZHAO 15AUG2016	TE Connectivity			
DIMENSIONS: mm		CHK SIMON LI 15AUG2016				
TOLERANCES UNLESS OTHERWISE SPECIFIED:		APVD COREL WANG 15AUG2016	NAME			
0 PLC ± -	1 PLC ± 0.25	PRODUCT SPEC	SOCKET ASSEMBLY			
2 PLC ± 0.15	3 PLC ± -0.10	APPLICATION SPEC	DDR4 DIMM,T/H TYPE			
4 PLC ± -	ANGLES ± -	108-115124	288 POSITION			
MATERIAL	FINISH	WEIGHT 7.6g	SIZE A2	CAGE CODE 00779	DRAWING NO C=2308107	RESTRICTED TO
		CUSTOMER DRAWING	SCALE 1:1	SHEET 4 OF 7	REV 18	

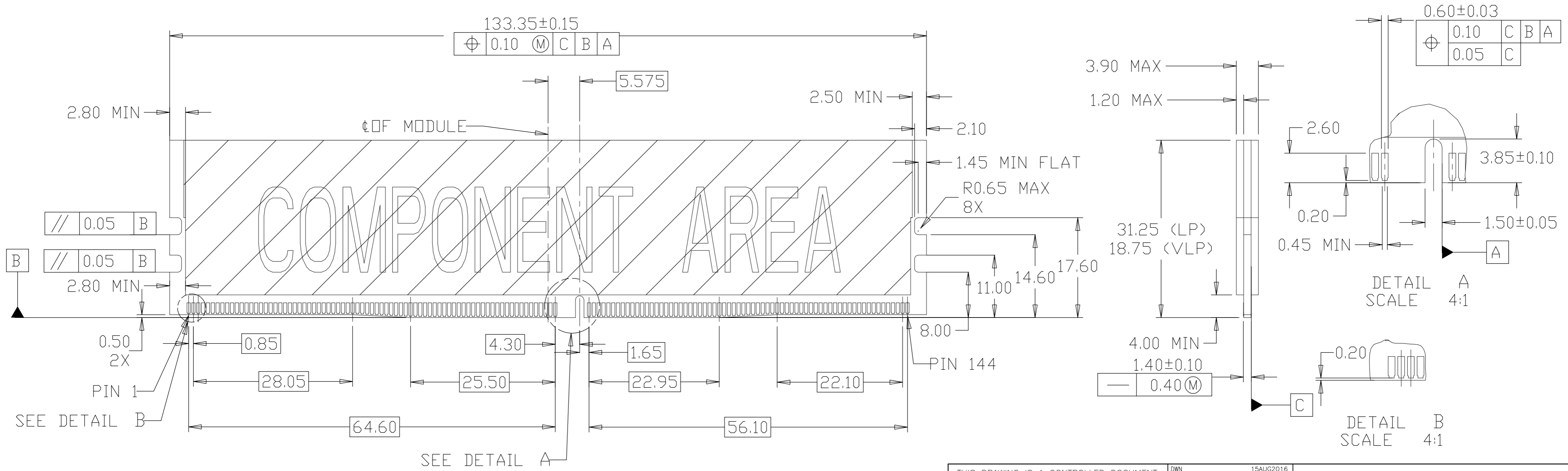
THIS DRAWING IS UNPUBLISHED. RELEASED FOR PUBLICATION  
 © COPYRIGHT - By - ALL RIGHTS RESERVED.

REVISIONS					
P	LTR	DESCRIPTION	DATE	DWN	APVD
-	-	SEE SHEET 1	-	-	-



### RECOMMENDED PCB LAYOUT

VIEWED FROM CONNECTOR SIDE

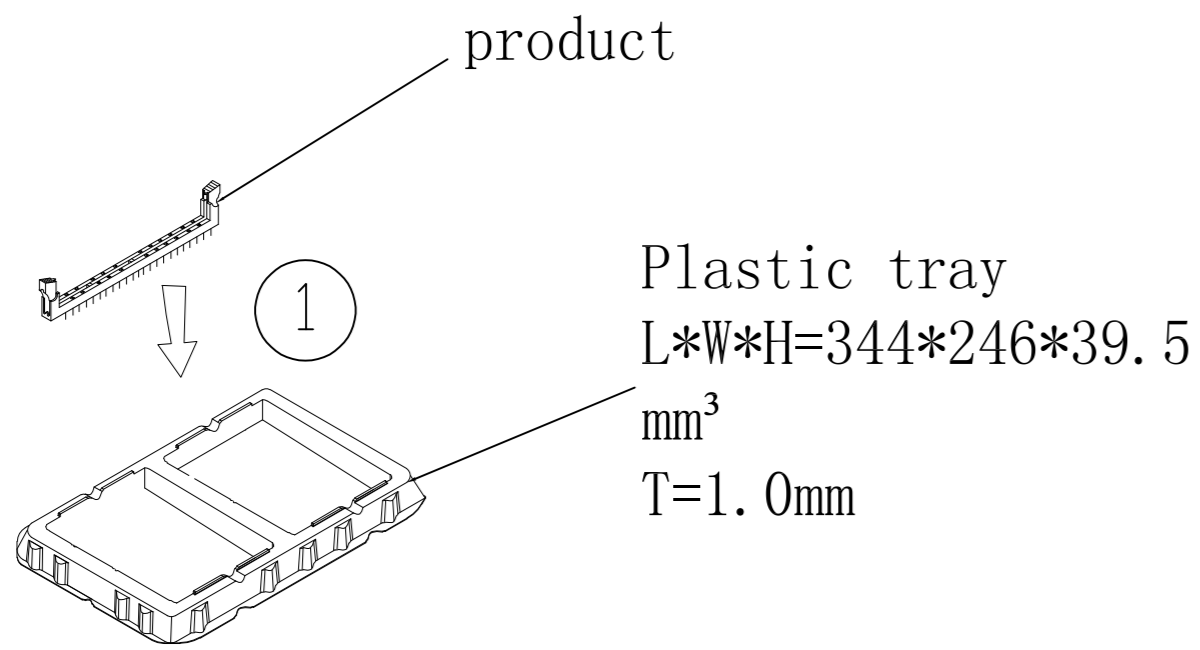


### RECOMMENDED MODULE LAYOUT

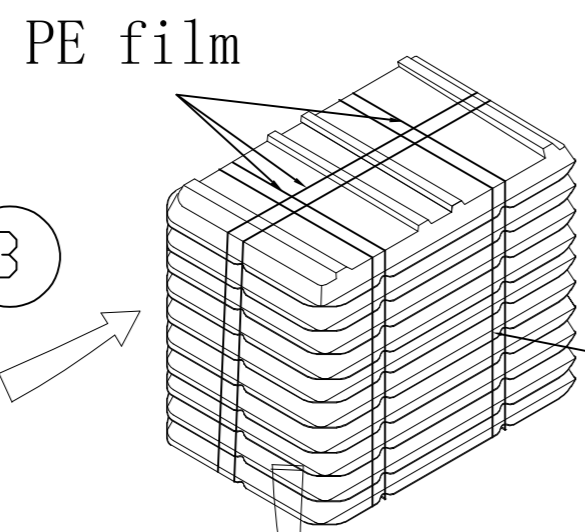
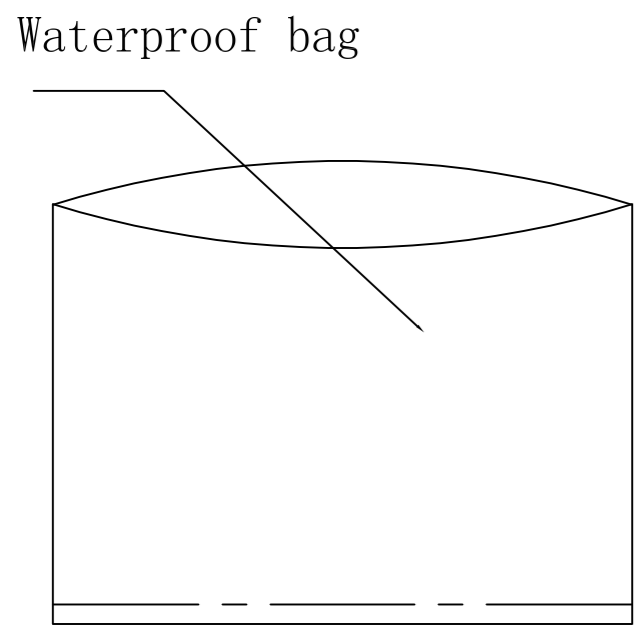
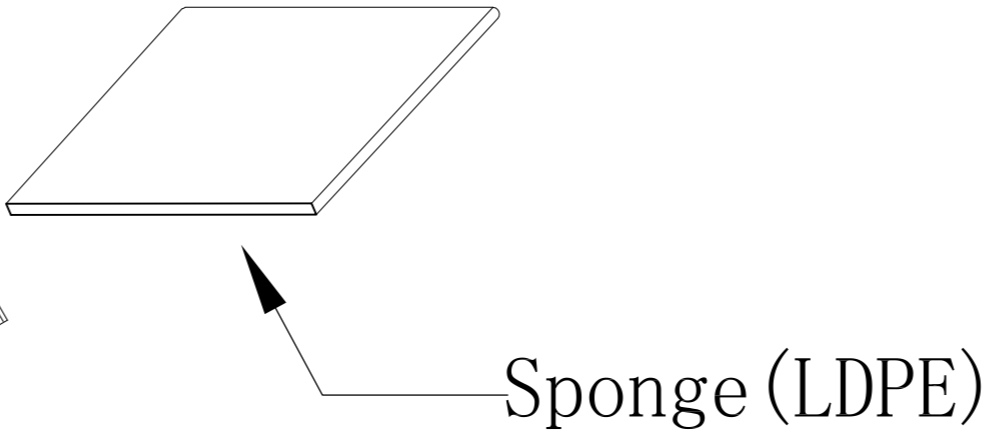
THIS DRAWING IS A CONTROLLED DOCUMENT.		DWN DAVID ZHAO 15AUG2016	TE Connectivity		
DIMENSIONS: mm		CHK SIMON LI 15AUG2016			
TOLERANCES UNLESS OTHERWISE SPECIFIED:		APVD COREL WANG 15AUG2016	NAME		
0 PLC ± -	1 PLC ± 0.25	PRODUCT SPEC	SOCKET ASSEMBLY		
2 PLC ± 0.15	3 PLC ± -0.10	APPLICATION SPEC	DDR4 DIMM,T/H TYPE		
4 PLC ± -	ANGLES ± -	WEIGHT -	288 POSITION		
MATERIAL -	FINISH -	SCALE 1:1	SIZE A2	CAGE CODE 00779	DRAWING NO C=2308107
CUSTOMER DRAWING		SCALE 1:1	SHEET 5 of 7	REV 18	RESTRICTED TO -

THIS DRAWING IS UNPUBLISHED. RELEASED FOR PUBLICATION  
 © COPYRIGHT - By - ALL RIGHTS RESERVED.

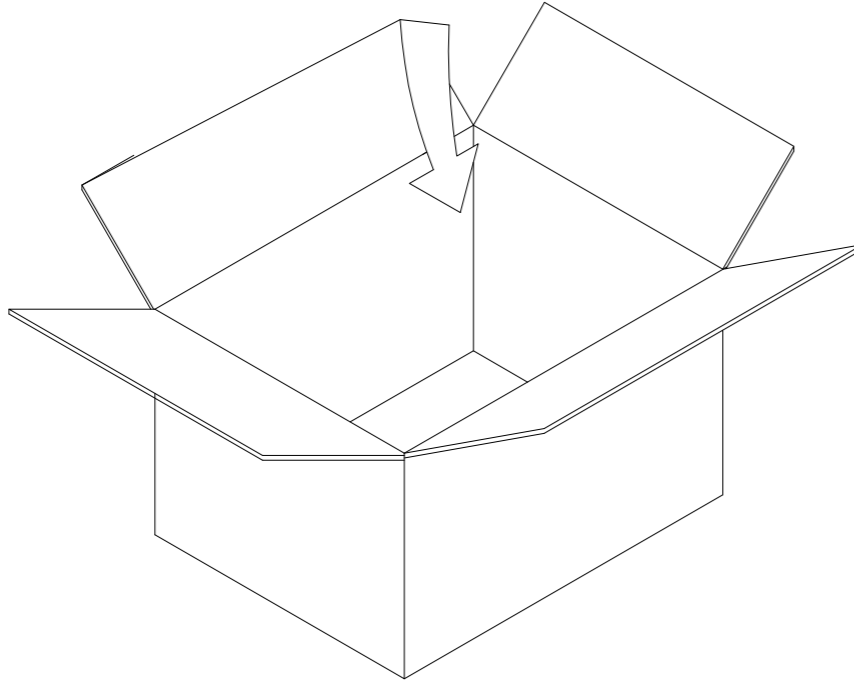
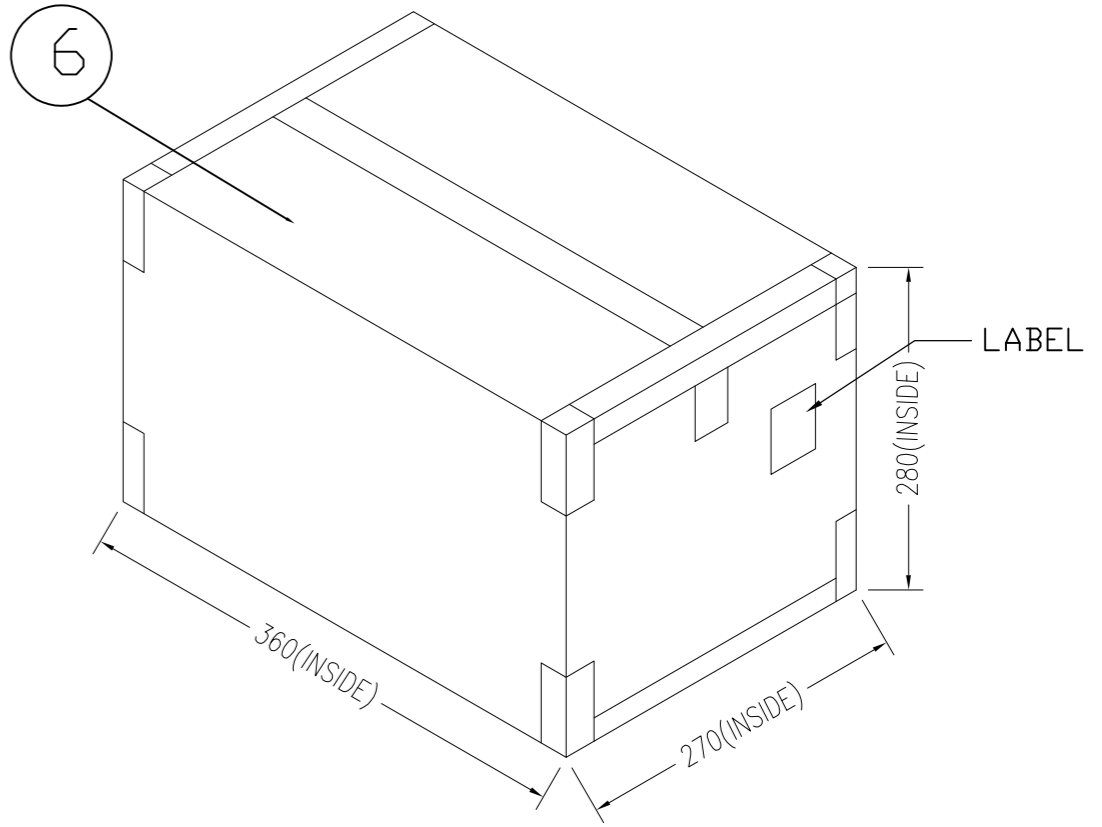
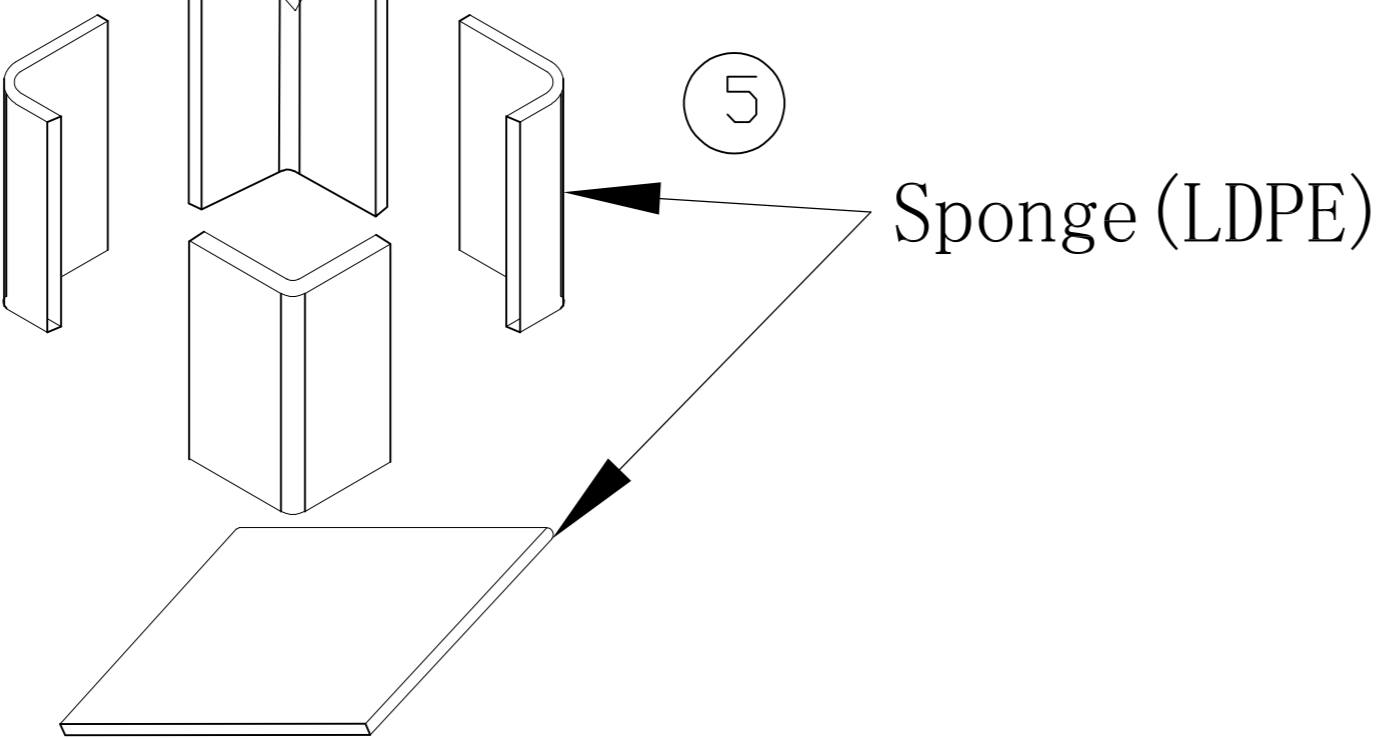
REVISIONS				
P	LTR	DESCRIPTION	DATE	APVD
-	-	SEE SHEET 1	-	-



5.4kg	3.5kg	50	10	500
GROSS WEIGHT	NET WEIGHT	PCS/ TRAY	TRAY/ BOX	PCS/ BOX

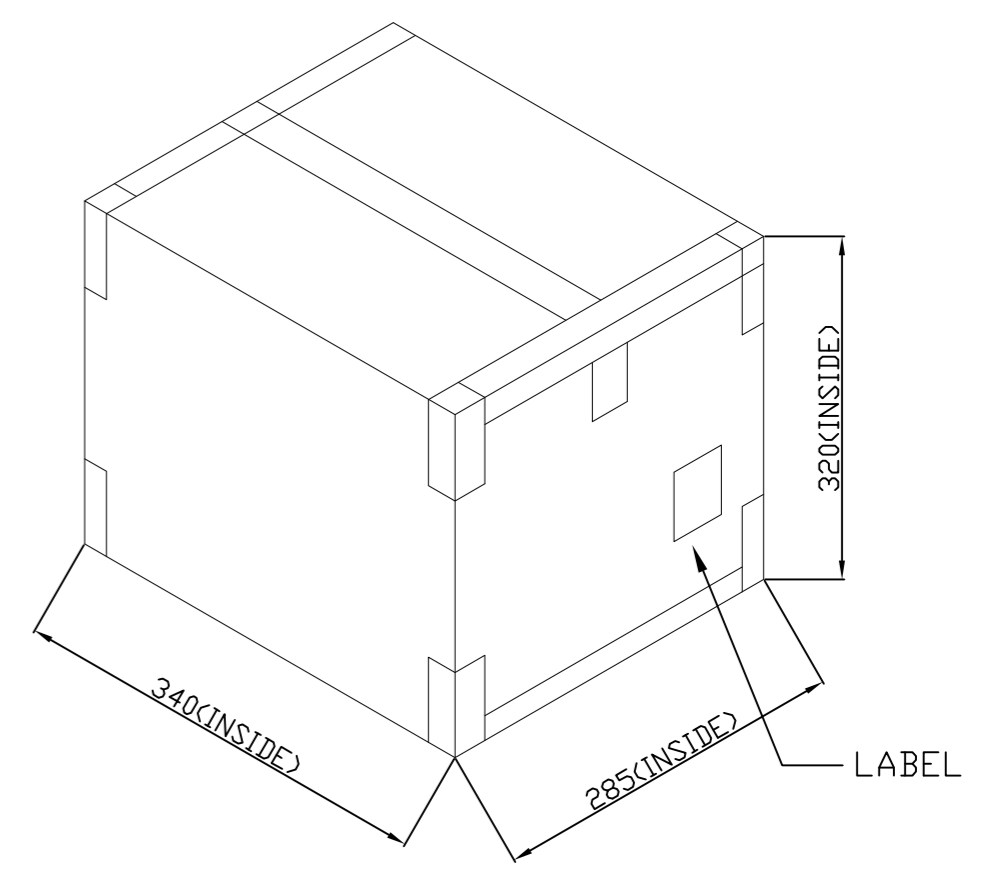
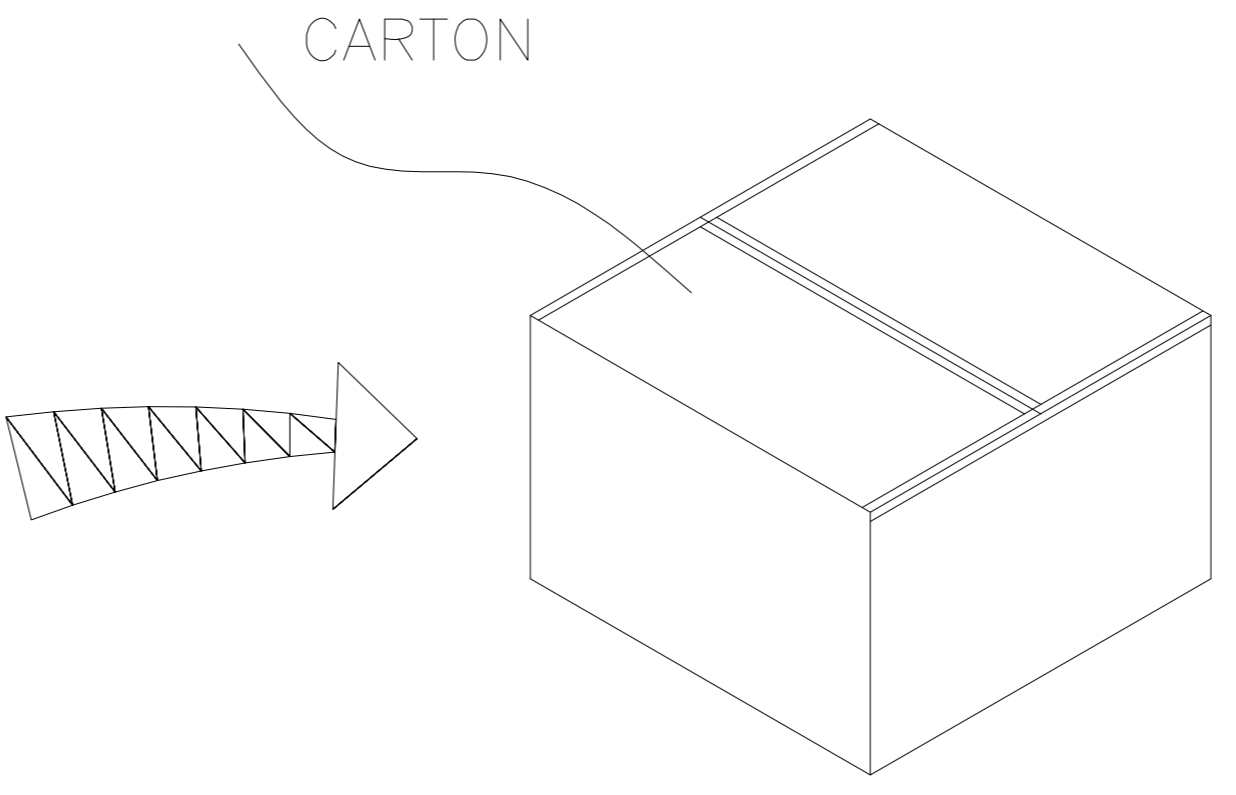
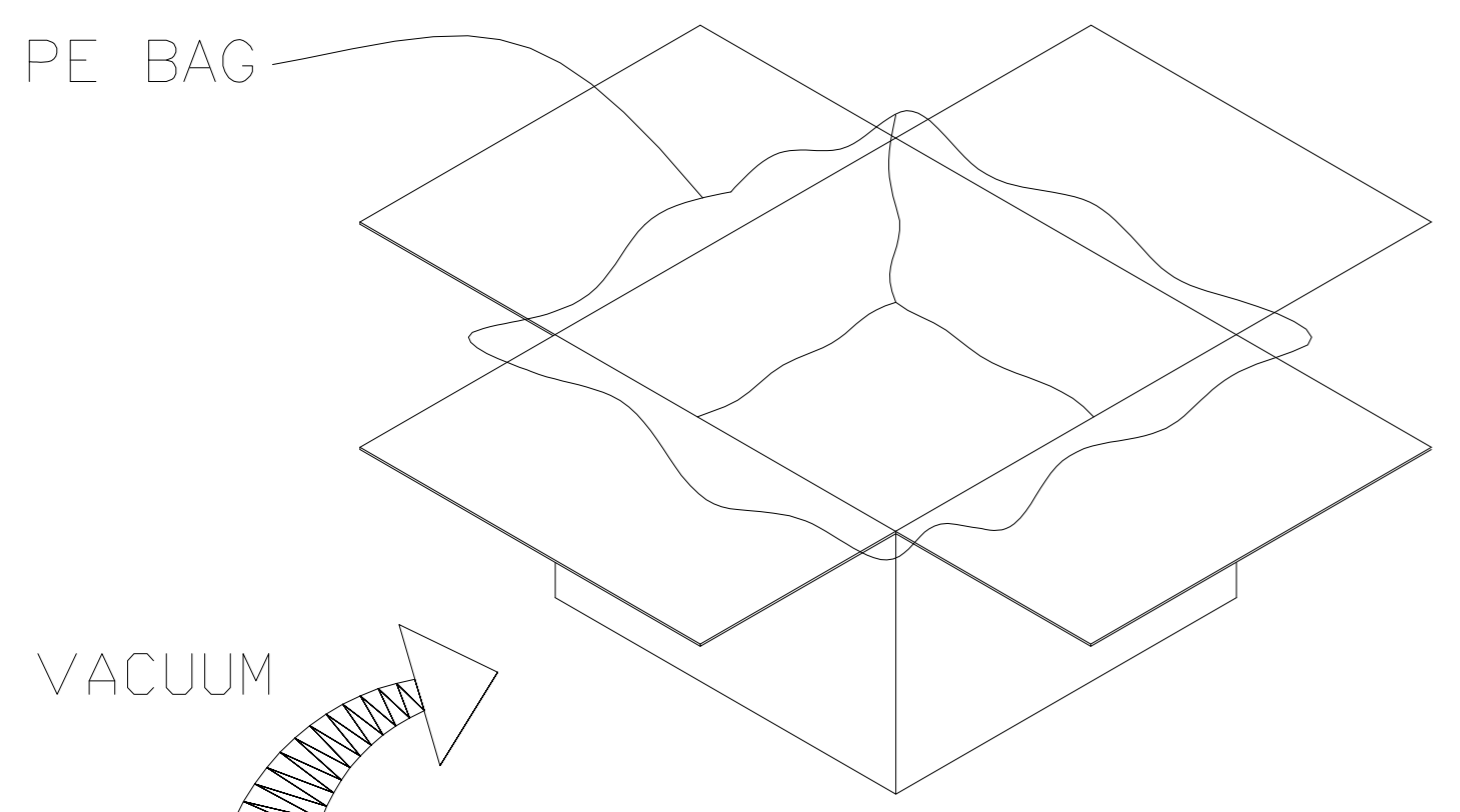
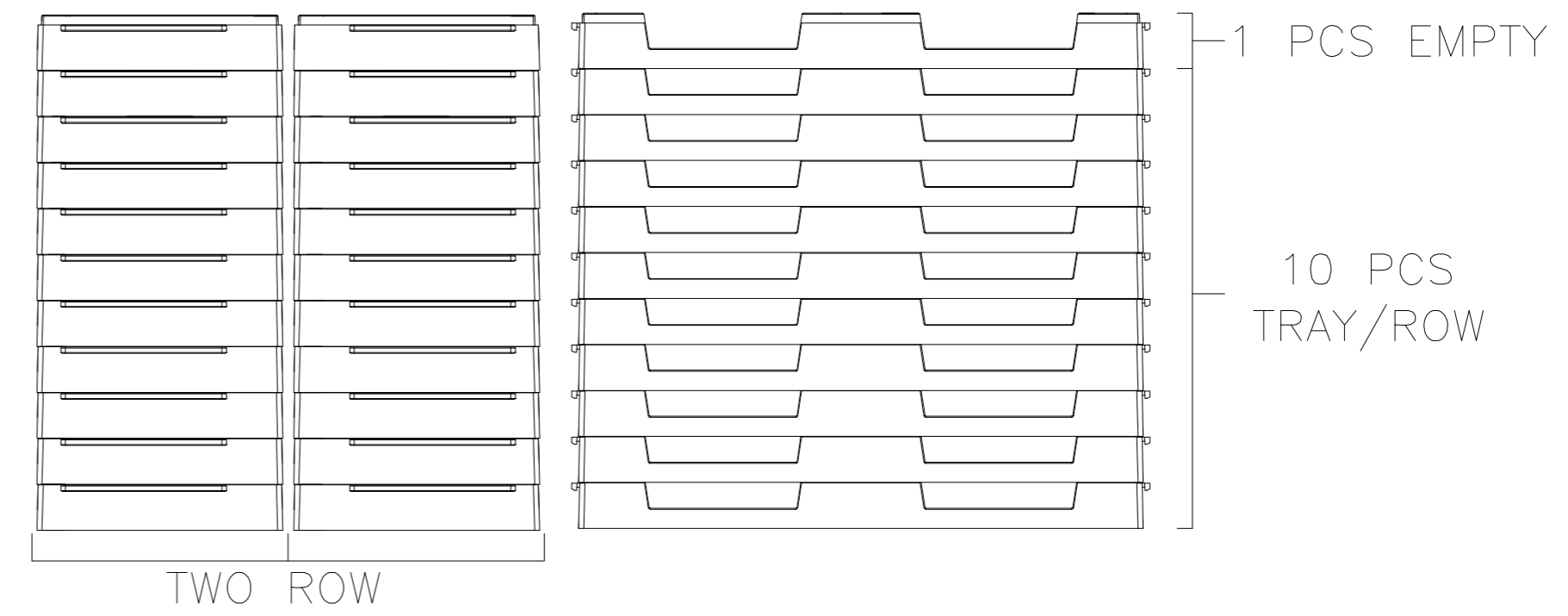
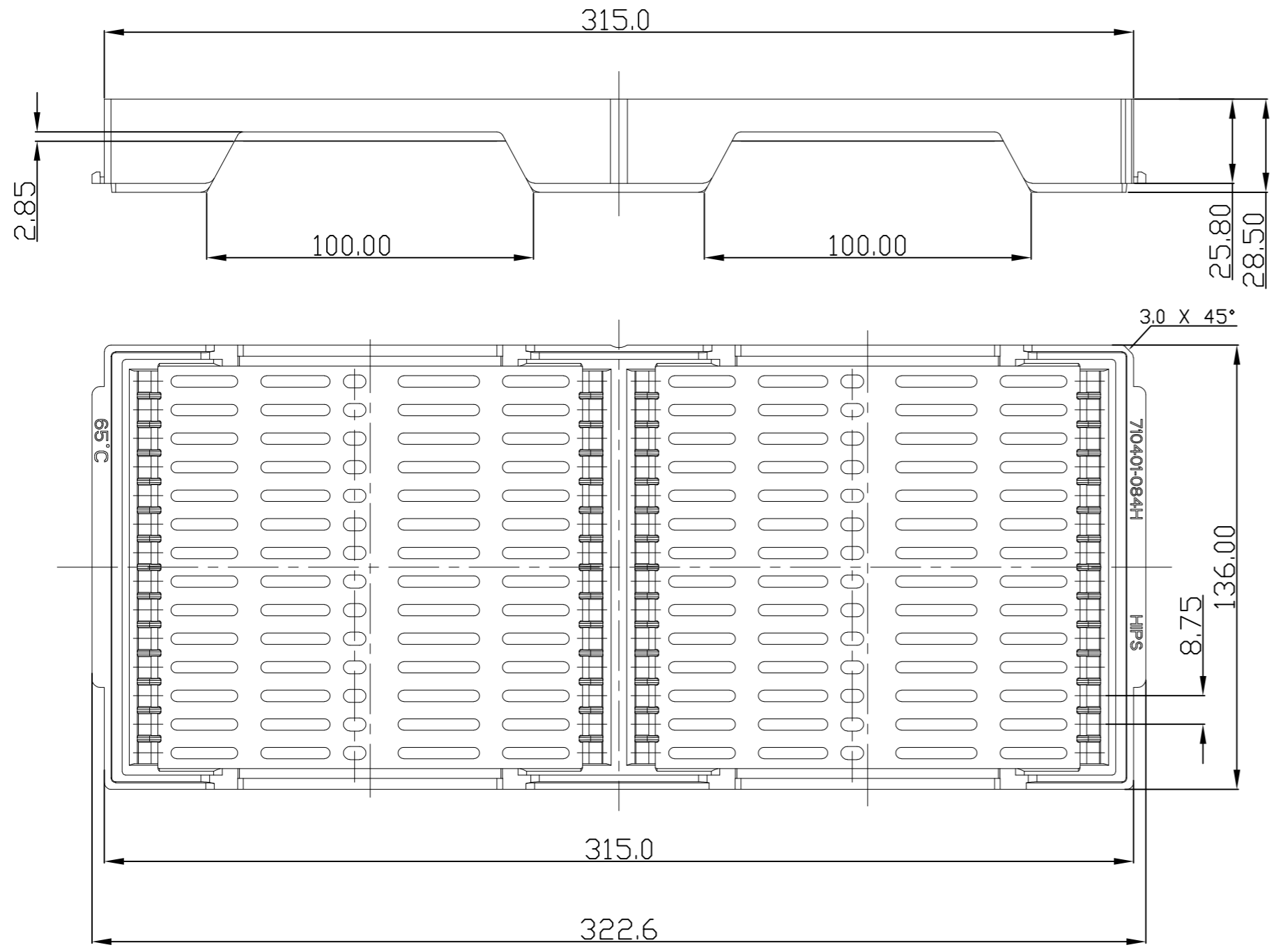


Each box has 10 plastic trays and 1 plastic lid. Each plastic tray has 50 products.  
 500 products in a box in total, and then with PE film to fix around it.



THIS DRAWING IS A CONTROLLED DOCUMENT.		DWN DAVID ZHAO 15AUG2016	<b>STE</b> TE Connectivity	
DIMENSIONS: mm		CHK SIMON LI 15AUG2016		
TOLERANCES UNLESS OTHERWISE SPECIFIED:		APVD COREL WANG 15AUG2016	NAME	
0 PLC ± -		PRODUCT SPEC	SOCKET ASSEMBLY	
1 PLC ± 0.25		APPLICATION SPEC	DDR4 DIMM,T/H TYPE	
2 PLC ± 0.15		WEIGHT -	SIZE A2	CAGE CODE 00779
3 PLC ± -0.10		FINISH -	DRAWING NO C=2308107	RESTRICTED TO -
4 PLC ± -		CUSTOMER DRAWING	SCALE 1:1	SHEET 6 of 7
ANGLES ± -			REV 18	

REVISIONS					
P	LTR	DESCRIPTION	DATE	DWN	APVD
-	-	SEE SHEET 1	-	-	-



THE 22 PCS HARD TRAY INTO CARTON

**kg	3.92kg	28	20	560	40-42287-*****D**
GROSS WEIGHT	NET WEIGHT	PCS/ TRAY	TRAY/ BOX	PCS/ BOX	PART NUMBER

THIS DRAWING IS A CONTROLLED DOCUMENT.		DWN DAVID ZHAO 15AUG2016			
DIMENSIONS: mm		CHK SIMON LI 15AUG2016			
TOLERANCES UNLESS OTHERWISE SPECIFIED:		APVD COREL WANG 15AUG2016	NAME		
0 PLC ± -		PRODUCT SPEC	SOCKET ASSEMBLY		
1 PLC ± 0.25		APPLICATION SPEC	DDR4 DIMM,T/H TYPE		
2 PLC ± 0.15		WEIGHT -	SIZE A2	CAGE CODE 00779	DRAWING NO C=2308107
3 PLC ± -0.10		CUSTOMER DRAWING	SCALE 1:1		SHEET 7 OF 7
4 PLC ± -			REV 18		
ANGLES ± -			RESTRICTED TO		
FINISH -					