



External-driven Piezo Transducer

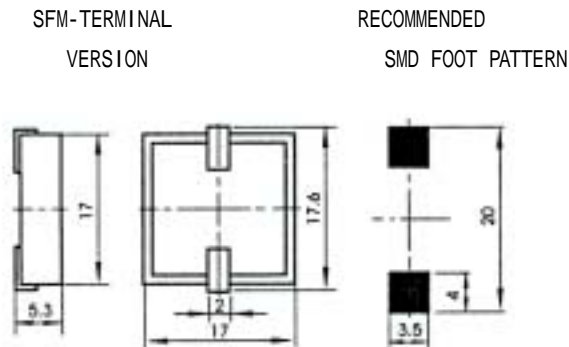
SFM-1740



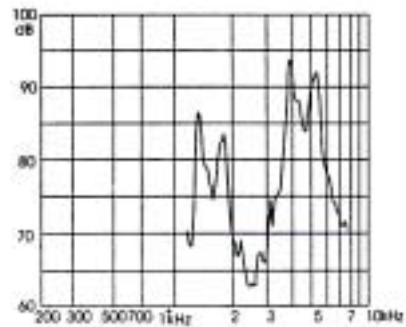
FEATURES:

- This Item Is Designed For Surface Mounting Applications
- The Pin Is Plated With Gold Which Can Meet The Request of Re-flow Soldering Process at 260 For 30 Seconds.
- Small Size

DIMENSIONS:(Unit: mm)



CHARACTERISTICS:



ELECTRICAL SPECIFICATIONS :

Min. Sound Pressure Level at
 4.0kHz /5Vp-p Square Wave/10cm 80dB
 Capacitance at 1000Hz 14nF 30%
 Allowable Input Voltage 20Vp-p
 Max. Consumption
 at 4.0kHz/5Vp-p Square Wave 5mA
 Resonant Frequency 4.0 0.3kHz
 Operating Temperature -20~+85 °C
 Case Material/Color PPS/Black
 Weight 2.2g

PACKING INFORMATION:

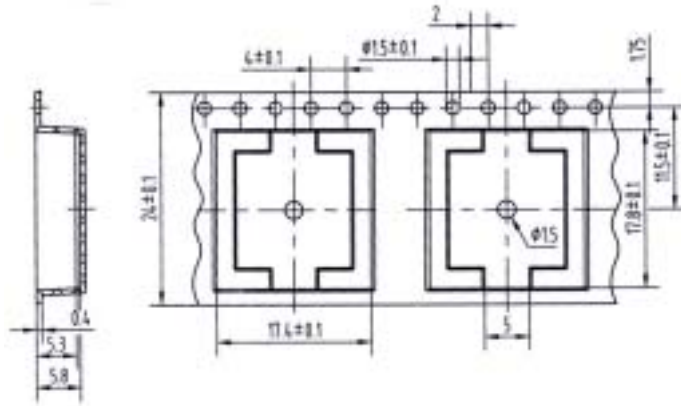
◆ TUBE TYPE INFORMATION:

Packing: 5400 pcs per export carton
 Carton Size: 50×529×16 cm
 G.Weight: 19 kgs N.Weight: 11.9 kgs



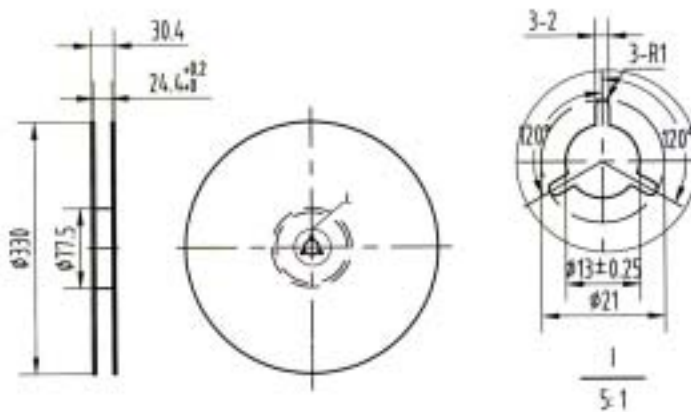
◆ **TAPE TYPE INFORMATION:**

The design for such tape packing was executed under standard IEC -286-3
The material of the tape is polystyrene in black color. detailed dimensions are a below:



DIMEDNSIONS OF THE ROLLING PLATE:

The material of the rolling plate is in paper;
The dimensions of the rolling plate are as below:



PACKING DIMENSIONS AND QUANTITY:

- The rolling plate is put into a 340X335X35mm inner packing box and is packed with 450 pcs of the transducer per plate.
- The dimension of the outer carton is 400X350X350mm containing 10 inner boxes with a total quantity of 4,500 pcs of the transducer.
- The total gross weight per carton is 15.4Kgs, while net weight is 9.9Kgs.

Address: No. 12. Lane 722. Sangtian Road Jiangdong Science Garden
Ningbo, 315040. P. R. China

Fax No: (0574) 87803761

Tel: (0574) 87802511

