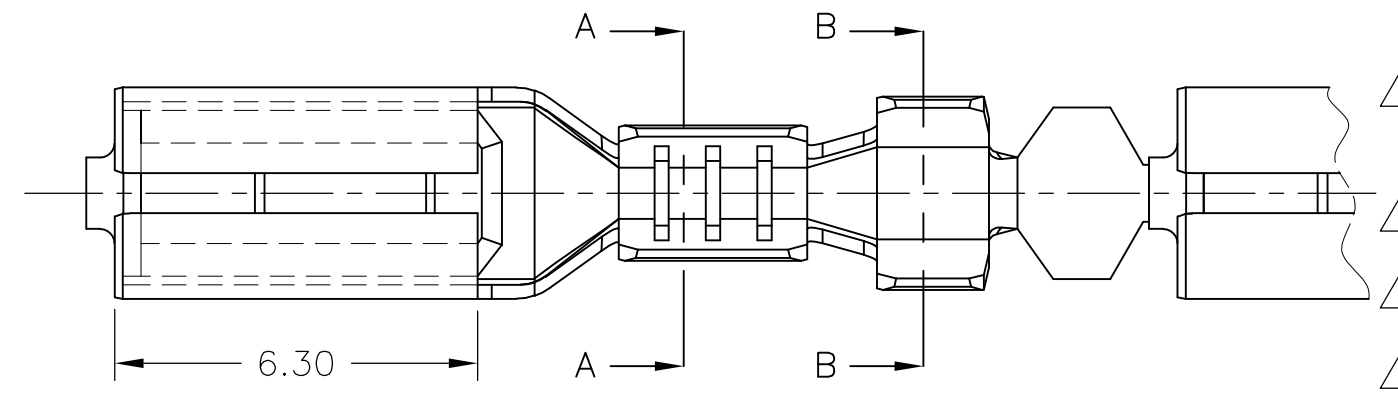
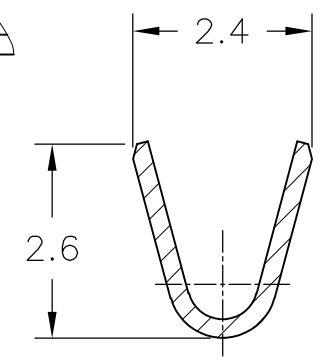
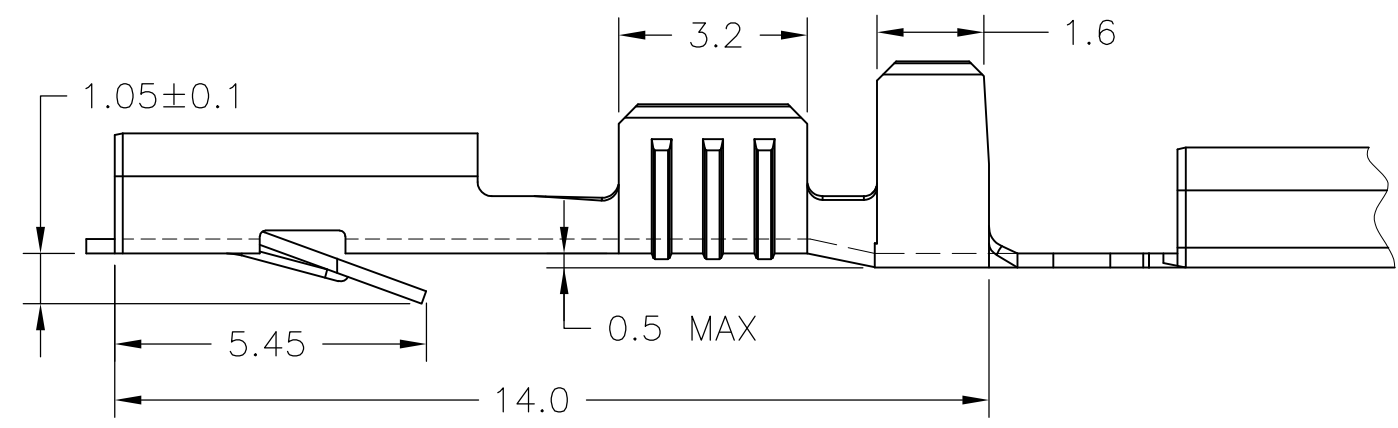
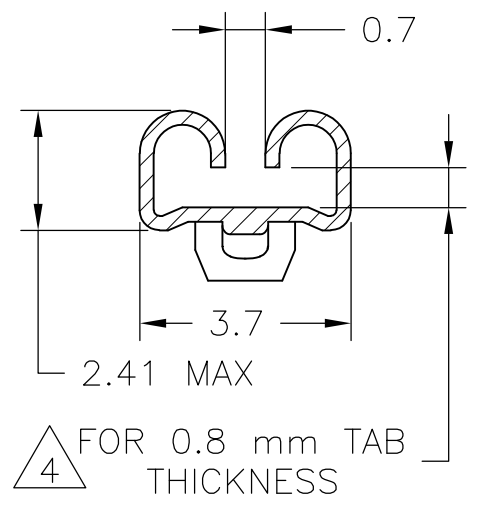


THIS DRAWING IS UNPUBLISHED. RELEASED FOR PUBLICATION
 © COPYRIGHT - TE Connectivity Ltd. ALL RIGHTS RESERVED.

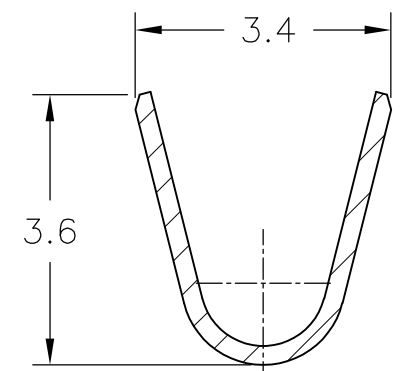
| REVISIONS | | | | |
|-----------|-----|---------------------------|-----------|--------|
| P | LTR | DESCRIPTION | DATE | APVD |
| | D2 | REDRAWN PER ECR-17-018705 | 06DEC2017 | BDA GG |



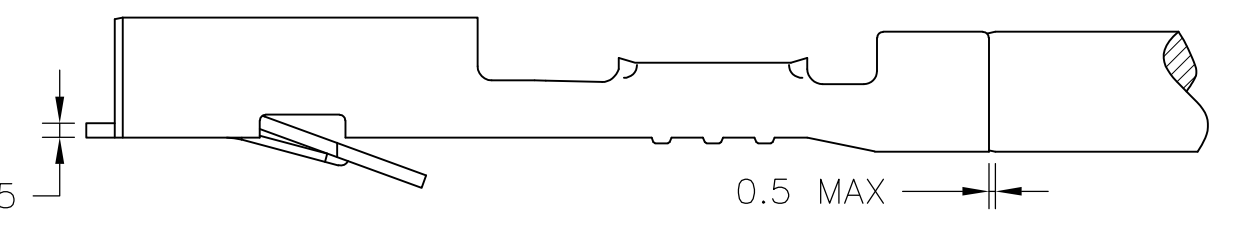
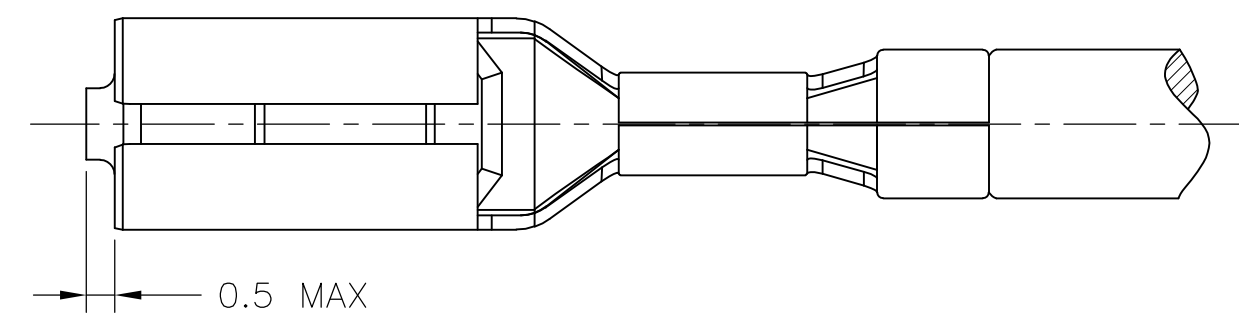
- 1 FOR USE ON MINIATURE APPLICATORS (LEFT-RIGHT FEED) AND STANDARD APPLICATORS (RIGHT-LEFT FEED)
- 2 BRASS ACC. ASTM B36 ALLOY 260.
- 3 PH. BRONZE ACC. ASTM B103.
- 4 GAGE 0.74 MUST NOT ENTER, GAGE 0.58 MUST ENTER.
- 5 REELED WITH PAPER COVER.
- 6 UNLESS OTHERWISE SPECIFIED ALL TOLERANCES ±0.4mm



SECTION A-A

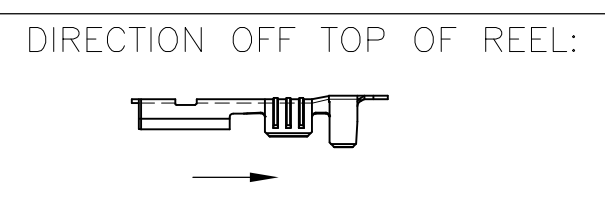


SECTION B-B



| 3 | 1 | PH. BRONZE | PH. BRONZE 6XSn | 160864-6 |
|-------|---|----------------|-----------------|-------------|
| 3 | 1 | PH. BRONZE | PH. BRONZE 6XSn | 160864-5 |
| 3 | 1 | PRE -TINPLATED | PH. BRONZE 4XSn | 160864-4 |
| 3 | 1 | UNPLATED | PH. BRONZE 4XSn | 160864-3 |
| 2 | 1 | PRE -TINPLATED | BRASS | 160864-2 |
| 2 | 1 | UNPLATED | BRASS | 160864-1 |
| NOTES | | FINISH | MATERIAL | PART NUMBER |

WIRE RANGE:
0.5-1.0mm²
INSULATION RANGE:
1.4-2.3 DIA



THIS DRAWING IS A CONTROLLED DOCUMENT.

| | |
|-------------------|--|
| DIMENSIONS: mm | TOLERANCES UNLESS OTHERWISE SPECIFIED: |
| | 0 PLC ± - |
| | 1 PLC ± - |
| | 2 PLC ± - |
| | 3 PLC ± - |
| | 4 PLC ± - |
| | ANGLES ± - |
| MATERIAL | FINISH |
| - | - |

THIS DRAWING IS A CONTROLLED DOCUMENT.

DWN 06DEC2017
BASAVARAJA D A
CHK 06DEC2017
GUNASEKHAR G
APVD 06DEC2017
GUNASEKHAR G
PRODUCT SPEC
APPLICATION SPEC
WEIGHT

STE TE Connectivity

NAME
.110 SERIES FASTIN-ON RECEPTACLE

| | | | |
|------|-----------|------------|---------------|
| SIZE | CAGE CODE | DRAWING NO | RESTRICTED TO |
| A3 | 00779 | C-160864 | - |

CUSTOMER DRAWING SCALE 4:1 SHEET 1 OF 1 REV D2