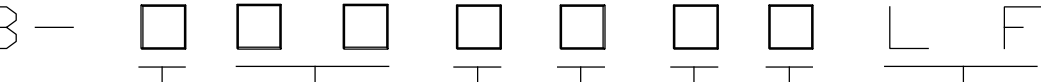




PRODUCT NUMBER
20020008-XXXXXXLF

20020008



PITCH
C: 3.50 mm
D: 3.81 mm
G: 5.00 mm
H: 5.08 mm

POLES
02: 2 POLES
03: 3 POLES
04: 4 POLES
|
|
24: 24 POLES

LF: DENOTED RoHS COMPATIBLE

1 : STANDARD PRODUCT
W/ BOX PACKING

PRINTING CODE	POSITION	MARKING
0	NONE	NONE
3	SIDE4,3,2,1
5	SIDEC,B,A,-,+

PROPERTY TABLE						
FCI SERIES NAME		02-350	02-381	02-500	02-508	
PITCH (mm)		3.50	3.81	5.00	5.08	
VOLTAGE RATING (VAC)		300	300	300	300	
CURRENT RATING (A)	cULus	8	8	12	12	
	VDE	10	10	NA	NA	
APPLICABLE WIRE RANGE (AWG)	1-WIRE	16~28	16~28	12~24	12~24	
	2-WIRE	20	20	18	18	
WIRE CROSS SECTION (mm ²)	SOLID	1-WIRE	1.5	1.5	2.5	2.5
		2-WIRE	0.5	0.5	1.0	1.0
	STRANDED	1-WIRE	1.5	1.5	2.5	2.5
		2-WIRE	0.75	0.75	1.5	1.5
OPENING CONTACT HOUSING(mm ²)		2.8x1.7	2.8x1.7	2.6x3.2	2.6x3.2	
WIRE STRIP LENGTH(mm)		6~7	6~7	6~7	6~7	
TORQUE +/-10% (N-m/Lb-in)		0.19/1.7	0.19/1.7	0.4/3.5	0.4/3.5	
SCREW		M2x0.4	M2x0.4	M3x0.5	M3x0.5	
WITHSTANDING VOLTAGE (kV)	cULus	1.6	1.6	1.6	1.6	
	VDE	2.5	2.5	NA	NA	
OPERATING TEMP. (°C)		-40~+115	-40~+115	-40~+115	-40~+115	
POLES AVAILABLE		02~24	02~24	02~24	02~24	
SAFETY CERTIFICATE						

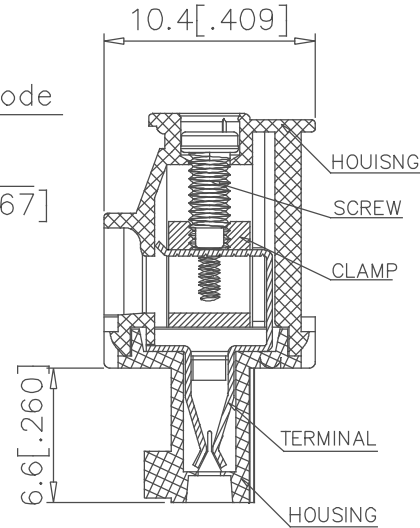
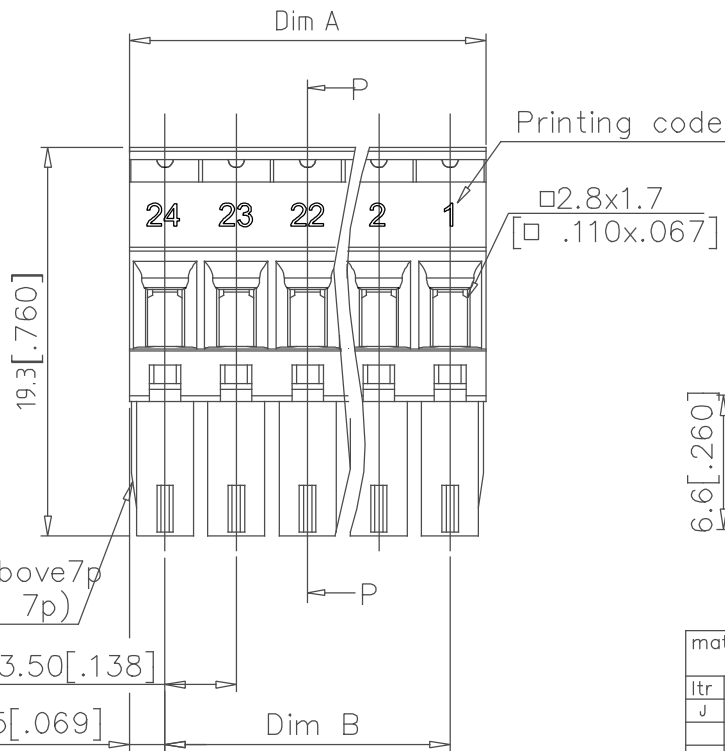
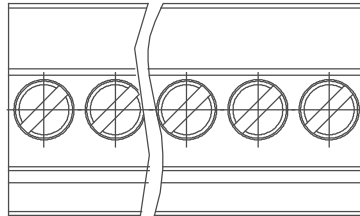
HOUSING CODE		
CODE	COLOR	AVAILABILITY
1	GREEN(RAL 6018/T)	STANDARD
2	BLACK	ON REQUEST ONLY
3	GREY(RAL 7004/P)	ON REQUEST ONLY
4	BLUE(RAL 5015/A)	ON REQUEST ONLY
5	YELLOW	ON REQUEST ONLY

SCREW CODE		
CODE	SCREW TYPE	AVAILABILITY
A	-/+	ON REQUEST ONLY
B	-	STANDARD

- NOTES:
- MATERIALS
1-1 HOUSING: THERMALPLASTIC RESIN, UL 94V-0 RATED,
1-2 SCREW: STEEL, ZINC PLATED.
1-3 CLAMP: COPPER ALLOY, NICKEL PLATED.
1-4 TERMINAL: COPPER ALLOY, TIN PLATED.
 - PRODUCT SPECIFICATION REFER TO FCI GS-12-625.
 - PRODUCT PACKING SPECIFICATION REFER TO FCI GS-14-1394.
 - FCI, SAFETY CERTIFICATE LOGO AND SERIES NAME TO BE SHOWN ON PRODUCT SURFACE.
 - THE PRODUCTS WHERE THE PART NUMBER END IN "LF" MEET THE EUROPEAN UNION DIRECTIVE AND OTHER COUNTRY REGULATIONS AS DESCRIBED IN GS-22-008.

mat'l. code		surface ASME Y14.5 <input checked="" type="checkbox"/>	tolerance ASME Y14.5	projection 	product family TERMINAL BLOCK	
ltr	ecn no	dr	date	tolerances unless otherwise specified		
D	T10-0042	WL	030310	angles	X.±0.5[.020]	
E	T10-0082	WL	080510	tolerances	X.X±0.3[.012]	
F	T10-0172	WL	102010	X'±1'	X.XX±0.1[.004]	
G	T11-0013	WL	040811	dr	BEER FU 062509	
H	T-004746	WL	072011	enrg	BEER FU 062509	
J	T-012872	LS	091912	chr	GARY HSIEH 062509	
				appd	JOSEPH HSIA 062509	
sheet index	revision sheet	J 1	J 2	J 3	J 4	J 5
title		TERMINAL BLOCK Pluggable plug, hook entry side		scale		
dwg no		20020008		sheet 1 of 5 size A4		
type		CUSTOMER Drawing				

PRODUCT NUMBER	SERIES NAME	PITCH
20020008-CXXXXXLF	02-350	3.50 mm



N= NUMBER OF POLES
DIMENSION

Dim A	N*3.5 [.138]
Dim B	(N-1)*3.5 [.138]

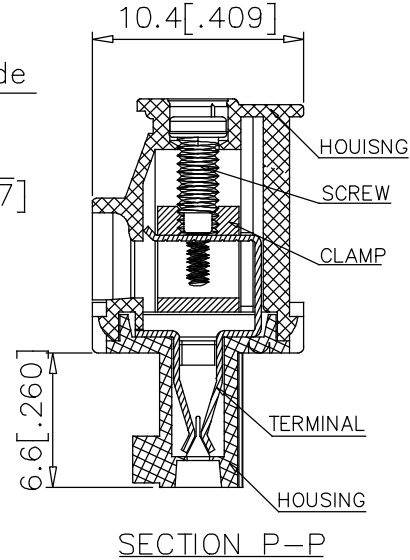
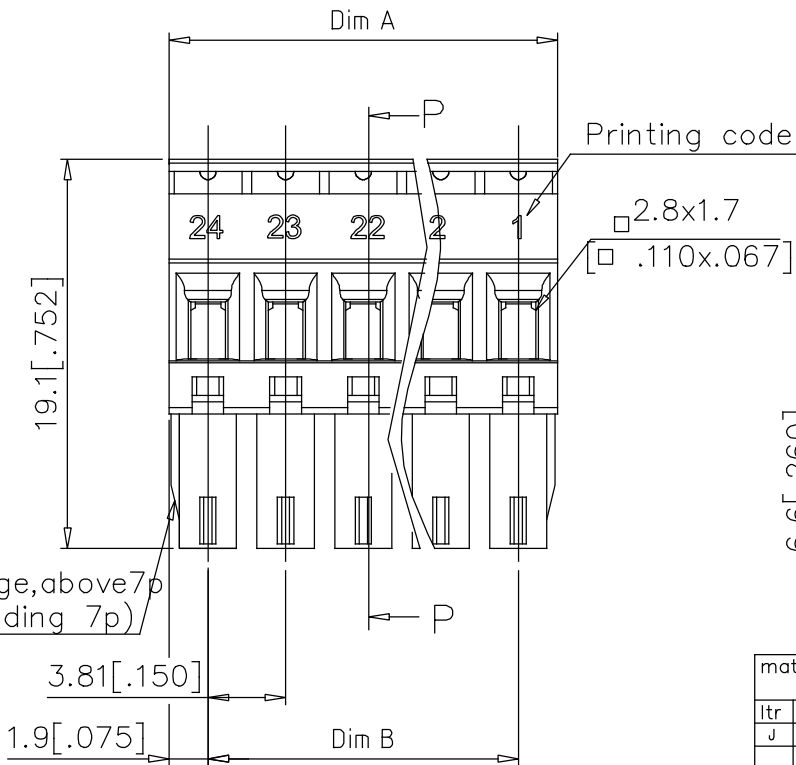
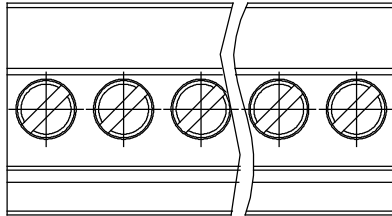
Poles	Tolerance
2P-6P	±0.15 [.006]
7P-12P	±0.20 [.008]
13P-18P	±0.25 [.010]
19P-24P	±0.30 [.012]

2p to 6p with wedge, above 7p without wedge (including 7p)

mat'l. code	surface ASME Y14.5 ✓	tolerance ASME Y14.5	projection	product family	TERMINAL BLOCK
ltr	ecn no	dr	date	title	TERMINAL BLOCK PLUGABLE, PLUG, SIGNAL, ENTRYSIDE HOOK
J				scale	MM / INCH
				dwg no	20020008
				sheet	2 of 5
				size	A4
				type	CUSTOMER Drawing
sheet index	revision sheet				



PRODUCT NUMBER	SERIES NAME	PITCH
20020008-DXXXXXLF	02-381	3.81 mm



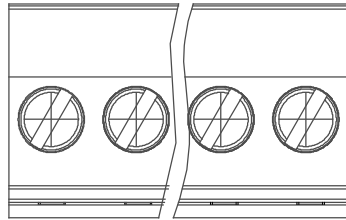
N= NUMBER OF POLES
DIMENSION

Dim A	$N \times 3.81 [.150]$
Dim B	$(N-1) \times 3.81 [.150]$

Poles	Tolerance
2P-6P	$\pm 0.15 [.006]$
7P-12P	$\pm 0.20 [.008]$
13P-18P	$\pm 0.25 [.010]$
19P-24P	$\pm 0.30 [.012]$

mat'l. code	surface ASME Y14.5	tolerance ASME Y14.5	projection 	product family TERMINAL BLOCK		
ltr	ecn	no	dr	date	tolerances unless otherwise specified	title
J					X. $\pm 0.5 [.020]$ X.X $\pm 0.3 [.012]$ X' $\pm 1'$ X.XX $\pm 0.1 [.004]$	TERMINAL BLOCK PLUGABLE, PLUG, SIGNAL, ENTRYSIDE HOOK
					dr BEER FU 062509 enr BEER FU 062509 chr GARY HSIEH 062509 appd JOSEPH HSIA 062509	scale
						MM [INCH]
						FCI
						dwg no 20020008 sheet 3 of 5 size A4
						type CUSTOMER Drawing
sheet index	revision sheet					

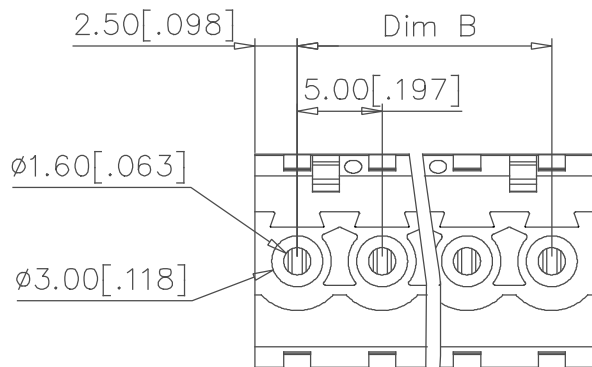
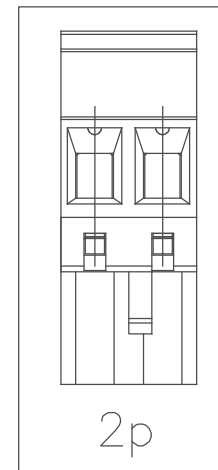
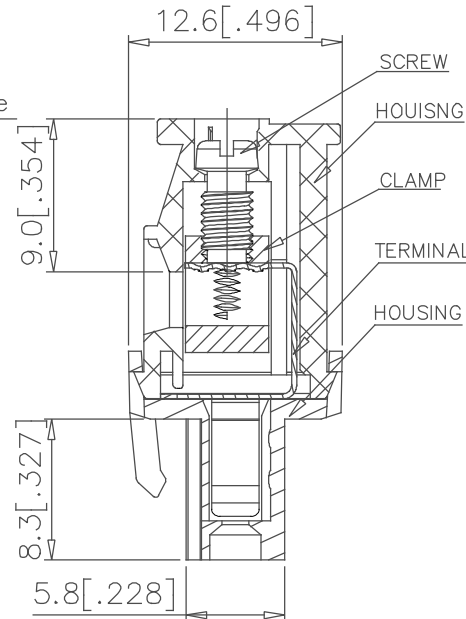
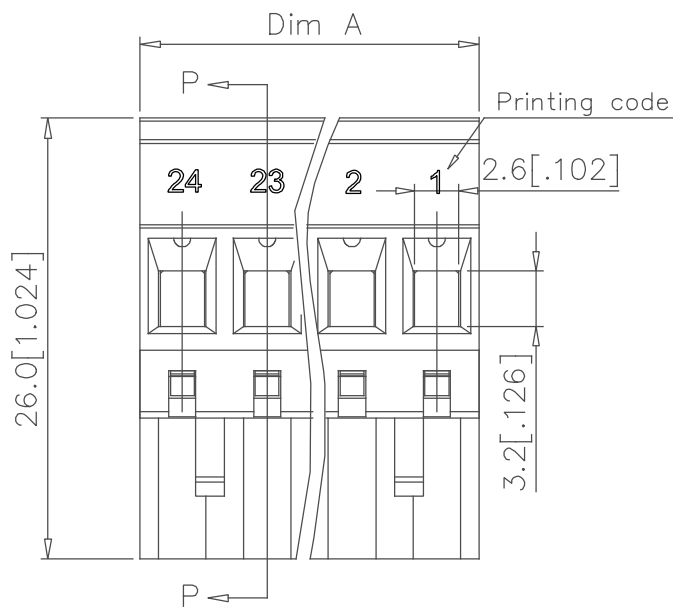
PRODUCT NUMBER	SERIES NAME	PITCH
20020008-GXXXXXL	02-500	5.00 mm



N= NUMBER OF POLES
DIMENSION

Dim A	$N \times 5.0 [.197]$
Bim B	$(N-1) \times 5.0 [.197]$

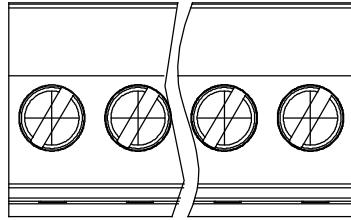
Poles	Tolerance
2P-6P	$\pm 0.15 [.006]$
7P-12P	$\pm 0.25 [.010]$
13P-18P	$\pm 0.30 [.012]$
19P-24P	$\pm 0.40 [.016]$



SECTION P-P

mat'l. code	surface ASME Y14.5	tolerance ASME Y14.5	projection MM INCH	product family TERMINAL BLOCK			
ltr	ecn	no	dr	date	tolerances unless otherwise specified	title	
J					X. $\pm 0.5 [.020]$ X.X $\pm 0.3 [.012]$ X'.XX $\pm 0.1 [.004]$	TERMINAL BLOCK PLUGABLE, PLUG, SIGNAL, ENTRYSIDE HOOK	
					dr BEER FU 062509 enr BEER FU 062509 chr GARY HSIEH 062509 appd JOSEPH HSIA 062509	scale	
						FCI	
sheet index	revision sheet					dwg no 20020008	sheet 4 of 5 size A4
						type CUSTOMER Drawing	

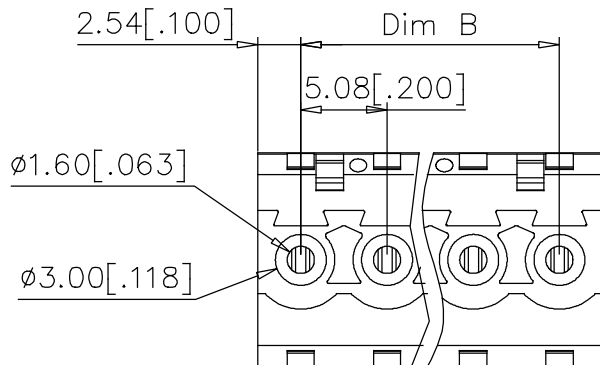
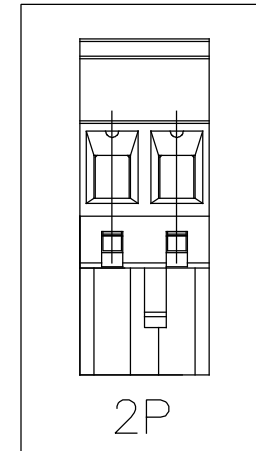
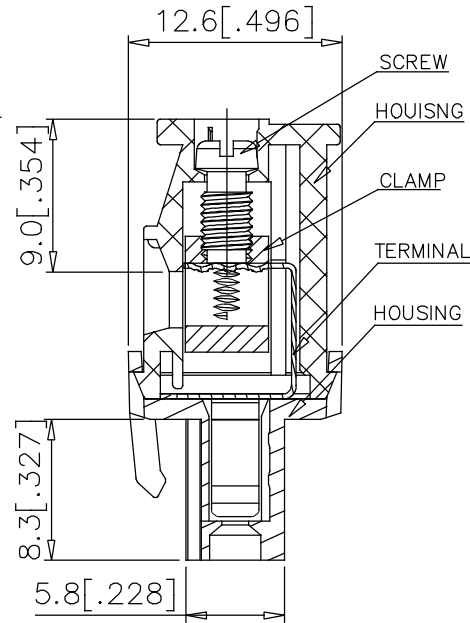
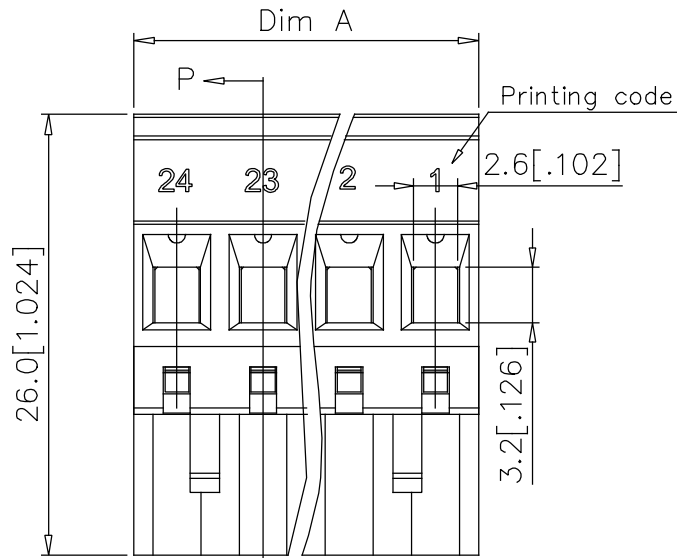
PRODUCT NUMBER	SERIES NAME	PITCH
20020008-HXXXXXLF	02-508	5.08 mm



N= NUMBER OF POLES
DIMENSION

Dim A	$N \times 5.08 [.200]$
Dim B	$(N-1) \times 5.08 [.200]$

Poles	Tolerance
2P-6P	$\pm 0.15 [.006]$
7P-12P	$\pm 0.25 [.010]$
13P-18P	$\pm 0.30 [.012]$
19P-24P	$\pm 0.40 [.016]$



SECTION P-P

mat'l. code	surface ASME Y14.5	tolerance ASME Y14.5	projection MM [INCH]	product family TERMINAL BLOCK		
ltr	ecn	no	dr	date	tolerances unless otherwise specified	title
J					X. $\pm 0.5 [.020]$ X.X $\pm 0.3 [.012]$ X.XX $\pm 0.1 [.004]$	TERMINAL BLOCK PLUGABLE, PLUG, SIGNAL, ENTRYSIDE HOOK
					dr BEER FU 062509	dwg no 20020008
					enr BEER FU 062509	sheet 5 of 5 size A4
					chr GARY HSIEH 062509	type CUSTOMER Drawing
					appd JOSEPH HSIA 062509	
sheet index	revision sheet					

