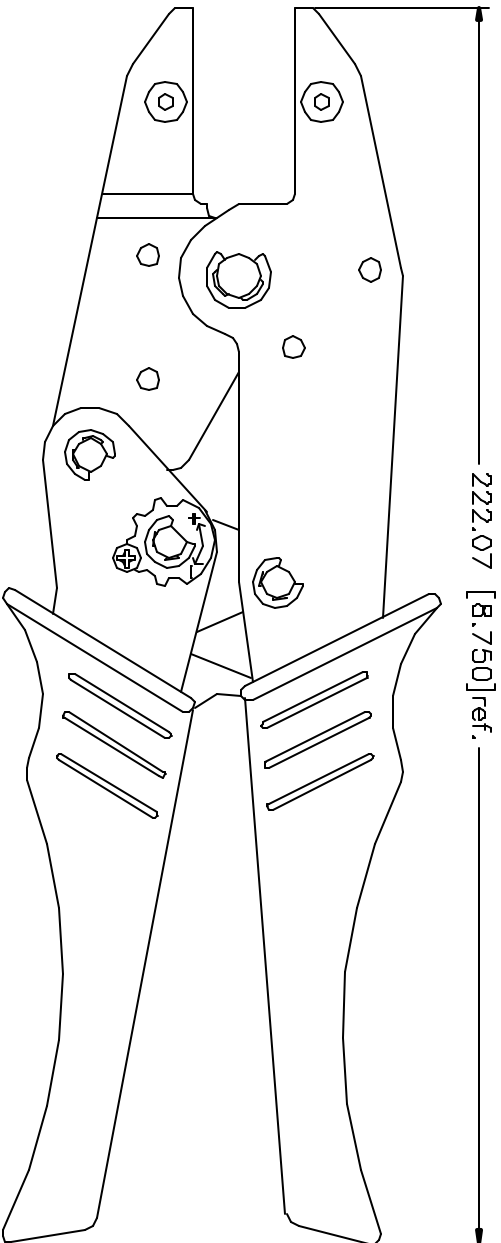
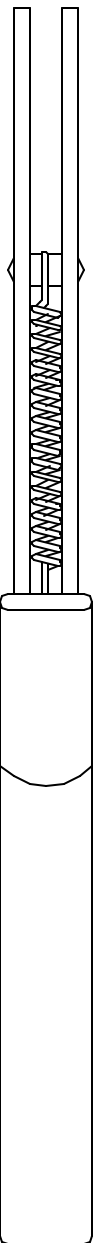


REV.	DATE	DESCRIPTION
A	07/29/04	UPDATE DRAWING FORMAT



NO.	DESCRIPTION	MATERIAL	FINISH	QTY	UNIT
1					
2					
3					
4					
5					
6					
7					
8					

<p>ALL DIMENSIONS SHOWN UNLESS SPECIFIED IN MILLETER MEASUREMENTS IN [ ] ARE IN INCHES AND FOR CONFORMITANCE DATA.</p> <p>ALL DIMENSIONS SHOWN UNLESS SPECIFIED FOR MILLIMETER ARE TOLERANCES FOR MILLIMETER ARE:</p> <p>A - .31mm ± 0.20mm  B - .31mm ± 0.40mm  C - .12mm ± 0.50mm</p> <p>ALL DIMENSIONS SHOWN UNLESS SPECIFIED FOR INCHES ARE:</p> <p>.020 - .316 - ± 0.007"  .316 - 1.180 - ± 0.015"  1.180 - 4.724 - ± 0.020"</p>	
<p>DO NOT SCALE DRAWING</p>	

<p>APPROVALS</p> <p>DRAWN: G.R.S.</p> <p>CHECKED:</p> <p>ISSUED:</p> <p>SHEET: 1 OF 1</p>	<p>DATE</p> <p>07/29/04</p>
---	-----------------------------

<p>CAD FILE</p> <p>C:/DIE/47-10000.DWG</p>	<p>DWG. NO.</p> <p>47-10000.DWG</p>	<p>REV.</p> <p>A</p>	<p>SIZE</p> <p>A</p>	<p>SCALE</p> <p>NA</p>
--	-------------------------------------	----------------------	----------------------	------------------------

<p><b>Amphenol Connex</b></p> <p>PART DESCRIPTION</p> <p>AMPENCL CONNEX - CRIMP FRAME</p>		<p>PART NO.</p> <p>47-10000.DWG</p>
---	--	-------------------------------------

# Mouser Electronics

Authorized Distributor

Click to View Pricing, Inventory, Delivery & Lifecycle Information:

[Amphenol:](#)

[47-10000](#)