

KA78LXXA/KA78L05AA

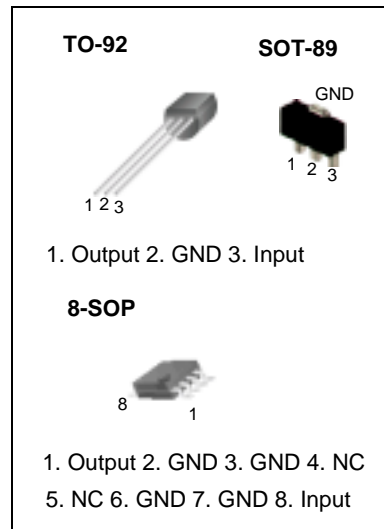
3-Terminal 0.1A Positive Voltage Regulator

Features

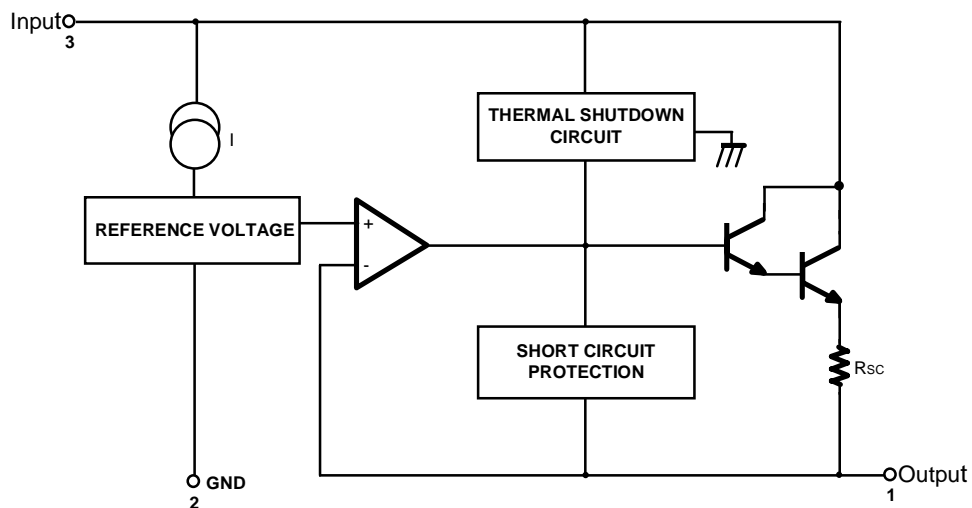
- Maximum Output Current of 100mA
- Output Voltage of 5V, 6V, 8V, 9V, 10V, 12V, 15V, 18V and 24V
- Thermal Overload Protection
- Short Circuit Current Limiting
- Output Voltage Offered in $\pm 5\%$ Tolerance

Description

The KA78LXXA/KA78L05AA series of fixed voltage monolithic integrated circuit voltage regulators are suitable for application that required supply current up to 100mA.



Internal Block Diagram



Absolute Maximum Ratings

| Parameter | Symbol | Value | Unit |
|--|-----------|----------------|-------------|
| Input Voltage (for $V_O = 5V, 8V$) (for $V_O = 12V$ to $18V$) (for $V_O = 24V$) | V_I | 30 35 40 | V V V |
| Operating Junction Temperature Range | T_J | 0 ~ +150 | °C |
| Storage Temperature Range | T_{STG} | -65 ~ +150 | °C |

Electrical Characteristics(KA78L05A)

($V_I = 10V$, $I_O = 40mA$, $0^\circ C \leq T_J \leq 125^\circ C$, $C_I = 0.33\mu F$, $C_O = 0.1\mu F$, unless otherwise specified. (Note1))

| Parameter | Symbol | Conditions | Min. | Typ. | Max. | Unit | |
|----------------------------------|-----------------------|---|---------------------------|-------|------|---------------|----|
| Output Voltage | V_O | $T_J = 25^\circ C$ | 4.8 | 5.0 | 5.2 | V | |
| Line Regulation (Note1) | ΔV_O | $T_J = 25^\circ C$ | $7V \leq V_I \leq 20V$ | - | 8 | 150 | mV |
| | | | $8V \leq V_I \leq 20V$ | - | 6 | 100 | mV |
| Load Regulation (Note1) | ΔV_O | $T_J = 25^\circ C$ | $1mA \leq I_O \leq 100mA$ | - | 11 | 60 | mV |
| | | | $1mA \leq I_O \leq 40mA$ | - | 5.0 | 30 | mV |
| Output Voltage | V_O | $7V \leq V_I \leq 20V$ | $1mA \leq I_O \leq 40mA$ | - | - | 5.25 | V |
| | | $7V \leq V_I \leq V_{MAX}$ (Note 2) | $1mA \leq I_O \leq 70mA$ | 4.75 | - | 5.25 | V |
| Quiescent Current | I_Q | $T_J = 25^\circ C$ | - | 2.0 | 5.5 | mA | |
| Quiescent Current Change | with line | ΔI_Q | $8V \leq V_I \leq 20V$ | - | - | 1.5 | mA |
| | with load | ΔI_Q | $1mA \leq I_O \leq 40mA$ | - | - | 0.1 | mA |
| Output Noise Voltage | V_N | $T_A = 25^\circ C$, $10Hz \leq f \leq 100kHz$ | - | 40 | - | $\mu V/V_O$ | |
| Temperature Coefficient of V_O | $\Delta V_O/\Delta T$ | $I_O = 5mA$ | - | -0.65 | - | $mV/^\circ C$ | |
| Ripple Rejection | RR | $f = 120Hz$, $8V \leq V_I \leq 18V$, $T_J = 25^\circ C$ | 41 | 80 | - | dB | |
| Dropout Voltage | V_D | $T_J = 25^\circ C$ | - | 1.7 | - | V | |

Note:

- The maximum steady state usable output current and input voltage are very dependent on the heat sinking and/or lead length of the package. The data above represent pulse test conditions with junction temperature as indicated at the initiation of tests.
- Power dissipation $P_D \leq 0.75W$.

Electrical Characteristics(KA78L06A) (Continued)

($V_I = 12V$, $I_O = 40mA$, $0^\circ C \leq T_J \leq 125^\circ C$, $C_I = 0.33\mu F$, $C_O = 0.1\mu F$, unless otherwise specified. (Note 1))

| Parameter | Symbol | Conditions | Min. | Typ. | Max. | Unit | |
|----------------------------------|-----------------------|---|---------------------------|------|------|----------------|----|
| Output Voltage | V_O | $T_J = 25^\circ C$ | 5.75 | 6.0 | 6.25 | V | |
| Line Regulation (Note1) | ΔV_O | $T_J = 25^\circ C$ | $8.5V \leq V_I \leq 20V$ | - | 64 | 175 | mV |
| | | | $9V \leq V_I \leq 20V$ | - | 54 | 125 | mV |
| Load Regulation (Note1) | ΔV_O | $T_J = 25^\circ C$ | $1mA \leq I_O \leq 100mA$ | - | 12.8 | 80 | mV |
| | | | $1mA \leq I_O \leq 70mA$ | - | 5.8 | 40 | mV |
| Output Voltage | V_O | $8.5 \leq V_I \leq 20V$, $1mA \leq I_O \leq 40mA$ | 5.7 | - | 6.3 | V | |
| | | $8.5 \leq V_I \leq V_{MAX}(\text{Note})$, $1mA \leq I_O \leq 70mA$ | 5.7 | - | 6.3 | V | |
| Quiescent Current | I_Q | $T_J = 25^\circ C$ | - | - | 5.5 | mA | |
| | | $T_J = 125^\circ C$ | - | 3.9 | 6.0 | mA | |
| Quiescent Current Change | with line | ΔI_Q | $9 \leq V_I \leq 20V$ | - | - | 1.5 | mA |
| | with load | ΔI_Q | $1mA \leq I_O \leq 40mA$ | - | - | 0.1 | mA |
| Output Noise Voltage | V_N | $T_A = 25^\circ C$, $10Hz \leq f \leq 100kHz$ | - | 40 | - | $\mu V/V_o$ | |
| Temperature Coefficient of V_O | $\Delta V_O/\Delta T$ | $I_O = 5mA$ | - | 0.75 | - | mV/ $^\circ C$ | |
| Ripple Rejection | RR | $f = 120Hz$, $10V \leq V_I \leq 20V$, $T_J = 25^\circ C$ | 40 | 46 | - | dB | |
| Dropout Voltage | V_D | $T_J = 25^\circ C$ | - | 1.7 | - | V | |

Note:

1. The maximum steady state usable output current and input voltage are very dependent on the heat sinking and/or lead length of the package. The data above represent pulse test conditions with junction temperature as indicated at the initiation of tests.
2. Power dissipation $P_D \leq 0.75W$.

Electrical Characteristics(KA78L08A) (Continued)

($V_I = 14V$, $I_O = 40mA$, $0^\circ C \leq T_J \leq 125^\circ C$, $C_I = 0.33\mu F$, $C_O = 0.1\mu F$, unless otherwise specified. (Note 1))

| Parameter | Symbol | Conditions | Min. | Typ. | Max. | Unit | |
|----------------------------------|-----------------------|--|---------------------------|------|------|---------------|----|
| Output Voltage | V_O | $T_J = 25^\circ C$ | 7.7 | 8.0 | 8.3 | V | |
| Line Regulation (Note1) | ΔV_O | $T_J = 25^\circ C$ | $10.5V \leq V_I \leq 23V$ | - | 10 | 175 | mV |
| | | | $11V \leq V_I \leq 23V$ | - | 8 | 125 | mV |
| Load Regulation (Note1) | ΔV_O | $T_J = 25^\circ C$ | $1mA \leq I_O \leq 100mA$ | - | 15 | 80 | mV |
| | | | $1mA \leq I_O \leq 40mA$ | - | 8.0 | 40 | mV |
| Output Voltage | V_O | $10.5V \leq V_I \leq 23V$ | $1mA \leq I_O \leq 40mA$ | 7.6 | - | 8.4 | V |
| | | $10.5V \leq V_I \leq V_{MAX}$ (Note 2) | $1mA \leq I_O \leq 70mA$ | 7.6 | - | 8.4 | V |
| Quiescent Current | I_Q | $T_J = 25^\circ C$ | - | 2.0 | 5.5 | mA | |
| Quiescent Current Change | with line | ΔI_Q | $11V \leq V_I \leq 23V$ | - | - | 1.5 | mA |
| | with load | ΔI_Q | $1mA \leq I_O \leq 40mA$ | - | - | 0.1 | mA |
| Output Noise Voltage | V_N | $T_A = 25^\circ C$, $10Hz \leq f \leq 100kHz$ | - | 60 | - | $\mu V/V_O$ | |
| Temperature Coefficient of V_O | $\Delta V_O/\Delta T$ | $I_O = 5mA$ | - | -0.8 | - | $mV/^\circ C$ | |
| Ripple Rejection | RR | $f = 120Hz$, $11V \leq V_I \leq 21V$, $T_J = 25^\circ C$ | 39 | 70 | - | dB | |
| Dropout Voltage | V_D | $T_J = 25^\circ C$ | - | 1.7 | - | V | |

Note:

1. The maximum steady state usable output current and input voltage are very dependent on the heat sinking and/or lead length of the package. The data above represent pulse test conditions with junction temperature as indicated at the initiation of tests.
2. Power dissipation $P_D \leq 0.75W$.

Electrical Characteristics(KA78L09A) (Continued)

($V_I = 15V$, $I_O = 40mA$, $0^\circ C \leq T_J \leq 125^\circ C$, $C_I = 0.33\mu F$, $C_O = 0.1\mu F$, unless otherwise specified. (Note 1))

| Parameter | Symbol | Conditions | Min. | Typ. | Max. | Unit | |
|----------------------------------|-----------------------|--|---------------------------|------|------|----------------|----|
| Output Voltage | V_O | $T_J = 25^\circ C$ | 8.64 | 9.0 | 9.36 | V | |
| Line Regulation (Note1) | ΔV_O | $T_J = 25^\circ C$ | $11.5V \leq V_I \leq 24V$ | - | 90 | 200 | mV |
| | | | $13V \leq V_I \leq 24V$ | - | 100 | 150 | mV |
| Load Regulation (Note1) | ΔV_O | $T_J = 25^\circ C$ | $1mA \leq I_O \leq 100mA$ | - | 20 | 90 | mV |
| | | | $1mA \leq I_O \leq 40mA$ | - | 10 | 45 | mV |
| Output Voltage | V_O | $11.5V \leq V_I \leq 24V$ | $1mA \leq I_O \leq 40mA$ | 8.55 | - | 9.45 | V |
| | | $11.5V \leq V_I \leq V_{MAX}$ (Note 2) | $1mA \leq I_O \leq 70mA$ | 8.55 | - | 9.45 | V |
| Quiescent Current | I_Q | $T_J = 25^\circ C$ | - | 2.1 | 6.0 | mA | |
| Quiescent Current Change | with line | ΔI_Q | $13V \leq V_I \leq 24V$ | - | - | 1.5 | mA |
| | with load | ΔI_Q | $1mA \leq I_O \leq 40mA$ | - | - | 0.1 | mA |
| Output Noise Voltage | V_N | $T_A = 25^\circ C$, $10Hz \leq f \leq 100kHz$ | - | 70 | - | $\mu V/V_O$ | |
| Temperature Coefficient of V_O | $\Delta V_O/\Delta T$ | $I_O = 5mA$ | - | -0.9 | - | mV/ $^\circ C$ | |
| Ripple Rejection | RR | $f = 120Hz$, $12V \leq V_I \leq 22V$, $T_J = 25^\circ C$ | 38 | 44 | - | dB | |
| Dropout Voltage | V_D | $T_J = 25^\circ C$ | - | 1.7 | - | V | |

Note:

1. The maximum steady state usable output current and input voltage are very dependent on the heat sinking and/or lead length of the package. The data above represent pulse test conditions with junction temperature as indicated at the initiation of tests.
2. Power dissipation $P_D \leq 0.75W$.

Electrical Characteristics(KA78L10A) (Continued)

($V_I = 16V$, $I_O = 40mA$, $0^\circ C \leq T_J \leq 125^\circ C$, $C_I = 0.33 \mu F$, $C_O = 0.1 \mu F$, unless otherwise specified. (Note 1))

| Parameter | Symbol | Conditions | Min. | Typ. | Max. | Unit | |
|----------------------------------|-----------------------|---|---------------------------|------|------|----------------|----|
| Output Voltage | V_O | $T_J = 25^\circ C$ | 9.6 | 10.0 | 10.4 | V | |
| Line Regulation (Note1) | ΔV_O | $T_J = 25^\circ C$ | $12.5 \leq V_I \leq 25V$ | - | 100 | 220 | mV |
| | | | $14V \leq V_I \leq 25V$ | - | 100 | 170 | mV |
| Load Regulation (Note1) | ΔV_O | $T_J = 25^\circ C$ | $1mA \leq I_O \leq 100mA$ | - | 20 | 94 | mV |
| | | | $1mA \leq I_O \leq 70mA$ | - | 10 | 47 | mV |
| Output Voltage | V_O | $12.5V \leq V_I \leq 25V$, $1mA \leq I_O \leq 40mA$ | 9.5 | - | 10.5 | V | |
| | | $12.5V \leq V_I \leq V_{MAX}$ (Note2) $1mA \leq I_O \leq 70mA$ | 9.5 | - | 10.5 | | |
| Quiescent Current | I_Q | $T_J = 25^\circ C$ | - | - | 6.0 | mA | |
| | | $T_J = 125^\circ C$ | - | 4.2 | 6.5 | | |
| Quiescent Current Change | with line | ΔI_Q | $12.5 \leq V_I \leq 25V$ | - | - | 1.5 | mA |
| | with load | ΔI_Q | $1mA \leq I_O \leq 40mA$ | - | - | 0.1 | mA |
| Output Noise Voltage | V_N | $T_A = 25^\circ C$, $10Hz \leq f \leq 100kHz$ | - | 74 | - | $\mu V/V_O$ | |
| Temperature Coefficient of V_O | $\Delta V_O/\Delta T$ | $I_O = 5mA$ | - | 0.95 | - | mV/ $^\circ C$ | |
| Ripple Rejection | RR | $f = 120Hz$, $15V \leq V_I \leq 25V$, $T_J = 25^\circ C$ | 38 | 43 | - | dB | |
| Dropout Voltage | V_D | $T_J = 25^\circ C$ | - | 1.7 | - | V | |

Notes:

1. The maximum steady state usable output current and input voltage are very dependent on the heat sinking and/or lead length of the package. The data above represent pulse test conditions with junction temperature as indicated at the initiation of tests.
2. Power dissipation $P_D \leq 0.75W$.

Electrical Characteristics(KA78L12A) (Continued)

($V_I = 19V$, $I_O = 40mA$, $0^\circ C \leq T_J \leq 125^\circ C$, $C_I = 0.33 \mu F$, $C_O = 0.1 \mu F$, unless otherwise specified. (Note 1))

| Parameter | Symbol | Conditions | Min. | Typ. | Max. | Unit | |
|----------------------------------|-----------------------|--|---------------------------|------|------|----------------|----|
| Output Voltage | V_O | $T_J = 25^\circ C$ | 11.5 | 12 | 12.5 | V | |
| Line Regulation (Note1) | ΔV_O | $T_J = 25^\circ C$ | $14.5V \leq V_I \leq 27V$ | - | 20 | 250 | mV |
| | | | $16V \leq V_I \leq 27V$ | - | 15 | 200 | mV |
| Load Regulation (Note1) | ΔV_O | $T_J = 25^\circ C$ | $1mA \leq I_O \leq 100mA$ | - | 20 | 100 | mV |
| | | | $1mA \leq I_O \leq 40mA$ | - | 10 | 50 | mV |
| Output Voltage | V_O | $14.5V \leq V_I \leq 27V$ | $1mA \leq I_O \leq 40mA$ | 11.4 | - | 12.6 | V |
| | | $14.5V \leq V_I \leq V_{MAX}$ (Note 2) | $1mA \leq I_O \leq 70mA$ | 11.4 | - | 12.6 | V |
| Quiescent Current | I_Q | $T_J = 25^\circ C$ | - | 2.1 | 6.0 | mA | |
| Quiescent Current Change | with line | ΔI_Q | $16V \leq V_I \leq 27V$ | - | - | 1.5 | mA |
| | with load | ΔI_Q | $1mA \leq I_O \leq 40mA$ | - | - | 0.1 | mA |
| Output Noise Voltage | V_N | $T_A = 25^\circ C$, $10Hz \leq f \leq 100kHz$ | - | 80 | - | $\mu V/V_O$ | |
| Temperature Coefficient of V_O | $\Delta V_O/\Delta T$ | $I_O = 5mA$ | - | -1.0 | - | mV/ $^\circ C$ | |
| Ripple Rejection | RR | $f = 120Hz$, $15V \leq V_I \leq 25V$, $T_J = 25^\circ C$ | 37 | 65 | - | dB | |
| Dropout Voltage | V_D | $T_J = 25^\circ C$ | - | 1.7 | - | V | |

Note:

1. The maximum steady state usable output current and input voltage are very dependent on the heat sinking and/or lead length of the package. The data above represent pulse test conditions with junction temperature as indicated at the initiation of tests.
2. Power dissipation $P_D \leq 0.75W$.

Electrical Characteristics(KA78L15A) (Continued)

($V_I = 23V$, $I_O = 40mA$, $0^\circ C \leq T_J \leq 125^\circ C$, $C_I = 0.33 \mu F$, $C_O = 0.1 \mu F$, unless otherwise specified. (Note 1))

| Parameter | Symbol | Conditions | Min. | Typ. | Max. | Unit | |
|----------------------------------|-----------------------|--|---------------------------|-------|------|----------------|----|
| Output Voltage | V_O | $T_J = 25^\circ C$ | 14.4 | 15 | 15.6 | V | |
| Line Regulation (Note1) | ΔV_O | $T_J = 25^\circ C$ | $17.5V \leq V_I \leq 30V$ | - | 25 | 300 | mV |
| | | | $20V \leq V_I \leq 30V$ | - | 20 | 250 | mV |
| Load Regulation (Note1) | ΔV_O | $T_J = 25^\circ C$ | $1mA \leq I_O \leq 100mA$ | - | 25 | 150 | mV |
| | | | $1mA \leq I_O \leq 40mA$ | - | 12 | 75 | mV |
| Output Voltage | V_O | $17.5V \leq V_I \leq 30V$ | $1mA \leq I_O \leq 40mA$ | 14.25 | - | 15.75 | V |
| | | $17.5V \leq V_I \leq V_{MAX}$ (Note 2) | $1mA \leq I_O \leq 70mA$ | 14.25 | - | 15.75 | V |
| Quiescent Current | I_Q | $T_J = 25^\circ C$ | - | 2.1 | 6.0 | mA | |
| Quiescent Current Change | with line | ΔI_Q | $20V \leq V_I \leq 30V$ | - | - | 1.5 | mA |
| | with load | ΔI_Q | $1mA \leq I_O \leq 40mA$ | - | - | 0.1 | mA |
| Output Noise Voltage | V_N | $T_A = 25^\circ C$, $10Hz \leq f \leq 100kHz$ | - | 90 | - | $\mu V/V_O$ | |
| Temperature Coefficient of V_O | $\Delta V_O/\Delta T$ | $I_O = 5mA$ | - | -1.3 | - | mV/ $^\circ C$ | |
| Ripple Rejection | RR | $f = 120Hz$, $18.5V \leq V_I \leq 28.5V$, $T_J = 25^\circ C$ | 34 | 60 | - | dB | |
| Dropout Voltage | V_D | $T_J = 25^\circ C$ | - | 1.7 | - | V | |

Note:

1. The maximum steady state usable output current and input voltage are very dependent on the heat sinking and/or lead length of the package. The data above represent pulse test conditions with junction temperature as indicated at the initiation of tests.
2. Power dissipation $P_D \leq 0.75W$.

Electrical Characteristics(KA78L18A) (Continued)

($V_I = 27V$, $I_O = 40mA$, $0^\circ C \leq T_J \leq 125^\circ C$, $C_I = 0.33 \mu F$, $C_O = 0.1 \mu F$, unless otherwise specified. (Note 1))

| Parameter | Symbol | Conditions | Min. | Typ. | Max. | Unit | |
|----------------------------------|-----------------------|--|---------------------------|------|------|----------------|----|
| Output Voltage | V_O | $T_J = 25^\circ C$ | 17.3 | 18 | 18.7 | V | |
| Line Regulation (Note1) | ΔV_O | $T_J = 25^\circ C$ | $21V \leq V_I \leq 33V$ | - | 145 | 300 | mV |
| | | | $22V \leq V_I \leq 33V$ | - | 135 | 250 | mV |
| Load Regulation (Note1) | ΔV_O | $T_J = 25^\circ C$ | $1mA \leq I_O \leq 100mA$ | - | 30 | 170 | mV |
| | | | $1mA \leq I_O \leq 40mA$ | - | 15 | 85 | mV |
| Output Voltage | V_O | $21V \leq V_I \leq 33V$ | $1mA \leq I_O \leq 40mA$ | 17.1 | - | 18.9 | V |
| | | $21V \leq V_I \leq V_{MAX}$ (Note 2) | $1mA \leq I_O \leq 70mA$ | 17.1 | - | 18.9 | V |
| Quiescent Current | I_Q | $T_J = 25^\circ C$ | - | 2.2 | 6.0 | mA | |
| Quiescent Current Change | with line | ΔI_Q | $21V \leq V_I \leq 33V$ | - | - | 1.5 | mA |
| | with load | ΔI_Q | $1mA \leq I_O \leq 40mA$ | - | - | 0.1 | mA |
| Output Noise Voltage | V_N | $T_A = 25^\circ C$, $10Hz \leq f \leq 100kHz$ | - | 150 | - | $\mu V/V_O$ | |
| Temperature Coefficient of V_O | $\Delta V_O/\Delta T$ | $I_O = 5mA$ | - | -1.8 | - | mV/ $^\circ C$ | |
| Ripple Rejection | RR | $f = 120Hz$, $23V \leq V_I \leq 33V$, $T_J = 25^\circ C$ | 34 | 48 | - | dB | |
| Dropout Voltage | V_D | $T_J = 25^\circ C$ | - | 1.7 | - | V | |

Note:

1. The maximum steady state usable output current and input voltage are very dependent on the heat sinking and/or lead length of the package. The data above represent pulse test conditions with junction temperature as indicated at the initiation of tests.
2. Power dissipation $P_D \leq 0.75W$.

Electrical Characteristics(KA78L24A) (Continued)

($V_I = 33V$, $I_O = 40mA$, $0^\circ C \leq T_J \leq 125^\circ C$, $C_I = 0.33 \mu F$, $C_O = 0.1 \mu F$, unless otherwise specified. (Note 1))

| Parameter | Symbol | Conditions | Min. | Typ. | Max. | Unit | |
|----------------------------------|-----------------------|--|---------------------------|------|------|---------------|----|
| Output Voltage | V_O | $T_J = 25^\circ C$ | 23 | 24 | 25 | V | |
| Line Regulation (Note1) | ΔV_O | $T_J = 25^\circ C$ | $27V \leq V_I \leq 38V$ | - | 160 | 300 | mV |
| | | | $28V \leq V_I \leq 38V$ | - | 150 | 250 | mV |
| Load Regulation (Note1) | ΔV_O | $T_J = 25^\circ C$ | $1mA \leq I_O \leq 100mA$ | - | 40 | 200 | mV |
| | | | $1mA \leq I_O \leq 40mA$ | - | 20 | 100 | mV |
| Output Voltage | V_O | $27V \leq V_I \leq 38V$ | $1mA \leq I_O \leq 40mA$ | 22.8 | - | 25.2 | V |
| | | $27V \leq V_I \leq V_{MAX}$ (Note 2) | $1mA \leq I_O \leq 70mA$ | 22.8 | - | 25.2 | V |
| Quiescent Current | I_Q | $T_J = 25^\circ C$ | - | 2.2 | 6.0 | mA | |
| Quiescent Current Change | with line | ΔI_Q | $28V \leq V_I \leq 38V$ | - | - | 1.5 | mA |
| | with load | ΔI_Q | $1mA \leq I_O \leq 40mA$ | - | - | 0.1 | mA |
| Output Noise Voltage | V_N | $T_A = 25^\circ C$, $10Hz \leq f \leq 100kHz$ | - | 200 | - | $\mu V/V_O$ | |
| Temperature Coefficient of V_O | $\Delta V_O/\Delta T$ | $I_O = 5mA$ | - | -2.0 | - | $mV/^\circ C$ | |
| Ripple Rejection | RR | $f = 120Hz$, $28V \leq V_I \leq 38V$, $T_J = 25^\circ C$ | 34 | 45 | - | dB | |
| Dropout Voltage | V_D | $T_J = 25^\circ C$ | - | 1.7 | - | V | |

Note:

1. The maximum steady state usable output current and input voltage are very dependent on the heat sinking and/or lead length of the package. The data above represent pulse test conditions with junction temperature as indicated at the initiation of tests.
2. Power dissipation $P_D \leq 0.75W$.

Absolute Maximum Ratings

| Parameter | Symbol | Value | Unit |
|--|-----------|----------------|-------------|
| Input Voltage (for $V_O = 5V, 8V$) (for $V_O = 12V$ to $18V$) (for $V_O = 24V$) | V_I | 30 35 40 | V V V |
| Operating Junction Temperature Range | T_J | 0 ~ +150 | °C |
| Storage Temperature Range | T_{STG} | -65 ~ +150 | °C |

Electrical Characteristics(KA78L05AA) (Continued)

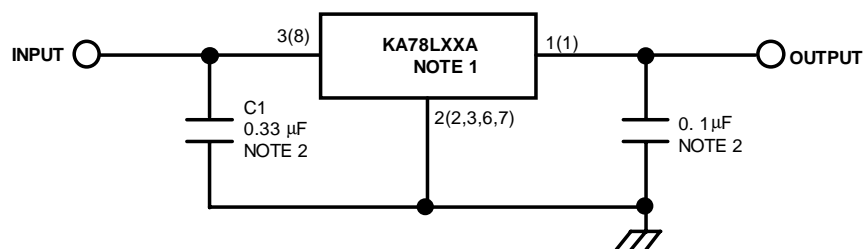
($V_I = 10V$, $I_O = 40mA$, $0^\circ C \leq T_J \leq 125^\circ C$, $C_I = 0.33 \mu F$, $C_O = 0.1 \mu F$, unless otherwise specified. (Note 1))

| Parameter | Symbol | Conditions | Min. | Typ. | Max. | Unit | |
|----------------------------------|-----------------------|---|---------------------------|-------|------|---------------|----|
| Output Voltage | V_O | $T_J = 25^\circ C$ | 4.9 | 5.0 | 5.1 | V | |
| Line Regulation (Note1) | ΔV_O | $T_J = 25^\circ C$ | $7V \leq V_I \leq 20V$ | - | 8 | 150 | mV |
| | | | $8V \leq V_I \leq 20V$ | - | 6 | 100 | mV |
| Load Regulation (Note1) | ΔV_O | $T_J = 25^\circ C$ | $1mA \leq I_O \leq 100mA$ | - | 11 | 50 | mV |
| | | | $1mA \leq I_O \leq 40mA$ | - | 5.0 | 25 | mV |
| Output Voltage | V_O | $7V \leq V_I \leq 20V$ | $1mA \leq I_O \leq 40mA$ | - | - | 5.15 | V |
| | | $7V \leq V_I \leq V_{MAX}$ (Note 2) | $1mA \leq I_O \leq 70mA$ | 4.85 | - | 5.15 | V |
| Quiescent Current | I_Q | $T_J = 25^\circ C$ | - | 2.0 | 5.5 | mA | |
| Quiescent Current Change | with line | ΔI_Q | $8V \leq V_I \leq 20V$ | - | - | 1.5 | mA |
| | with load | ΔI_Q | $1mA \leq I_O \leq 40mA$ | - | - | 0.1 | mA |
| Output Noise Voltage | V_N | $T_A = 25^\circ C$, $10Hz \leq f \leq 100kHz$ | - | 40 | - | $\mu V/V_O$ | |
| Temperature Coefficient of V_O | $\Delta V_O/\Delta T$ | $I_O = 5mA$ | - | -0.65 | - | $mV/^\circ C$ | |
| Ripple Rejection | RR | $f = 120Hz$, $8V \leq V_I \leq 18V$, $T_J = 25^\circ C$ | 41 | 80 | - | dB | |
| Dropout Voltage | V_D | $T_J = 25^\circ C$ | - | 1.7 | - | V | |

Note:

- The maximum steady state usable output current and input voltage are very dependent on the heat sinking and/or lead length of the package. The data above represent pulse test conditions with junction temperature as indicated at the initiation of tests.
- Power dissipation $P_D \leq 0.75W$.

Typical Application



'()' : 8SOP Type

Notes:

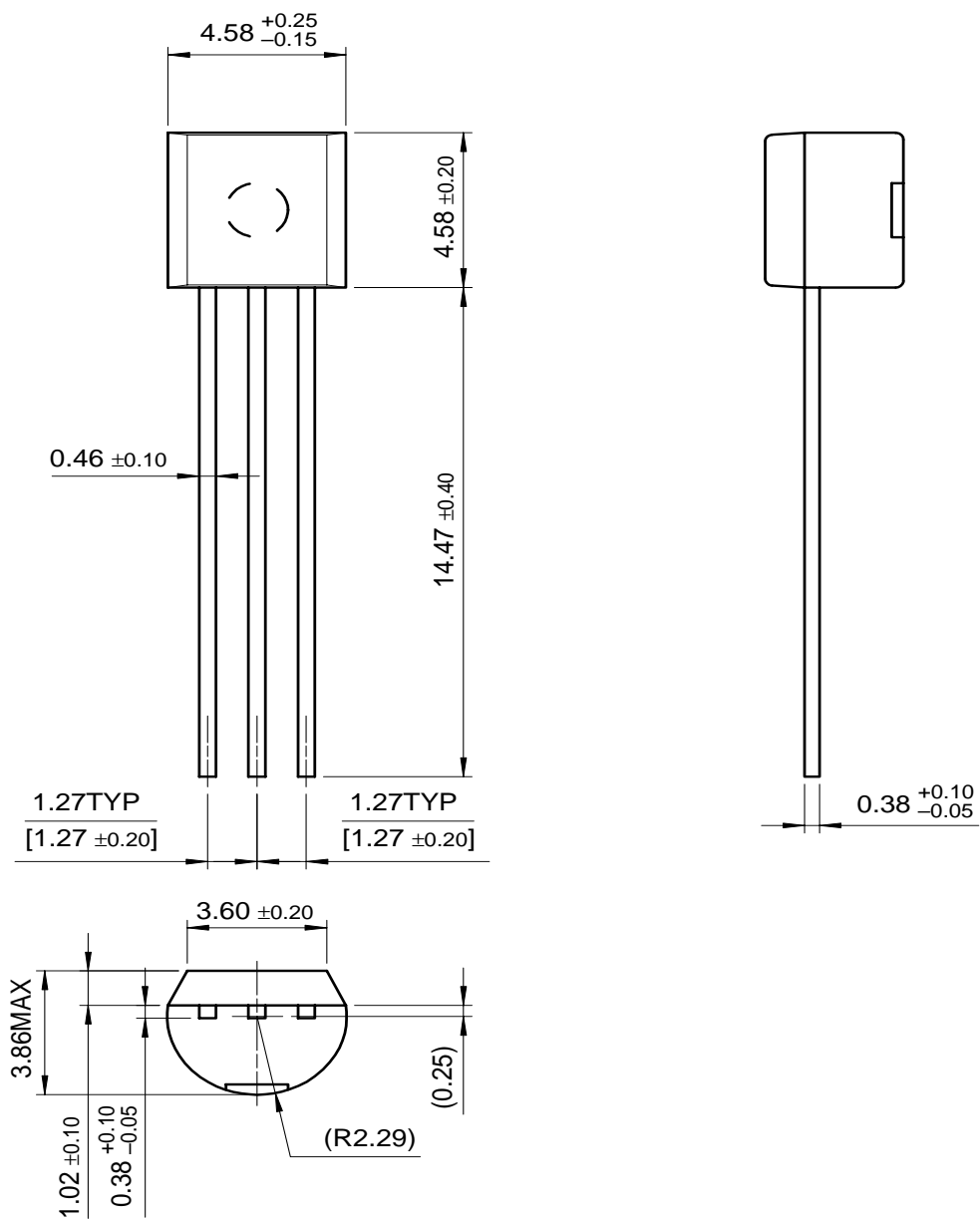
1. To specify an output voltage, substitute voltage value for "XX".
2. Bypass Capacitors are recommend for optimum stability and transient response and should be located as close as possible to the regulator

Mechanical Dimensions

Package

Dimensions in millimeters

TO-92

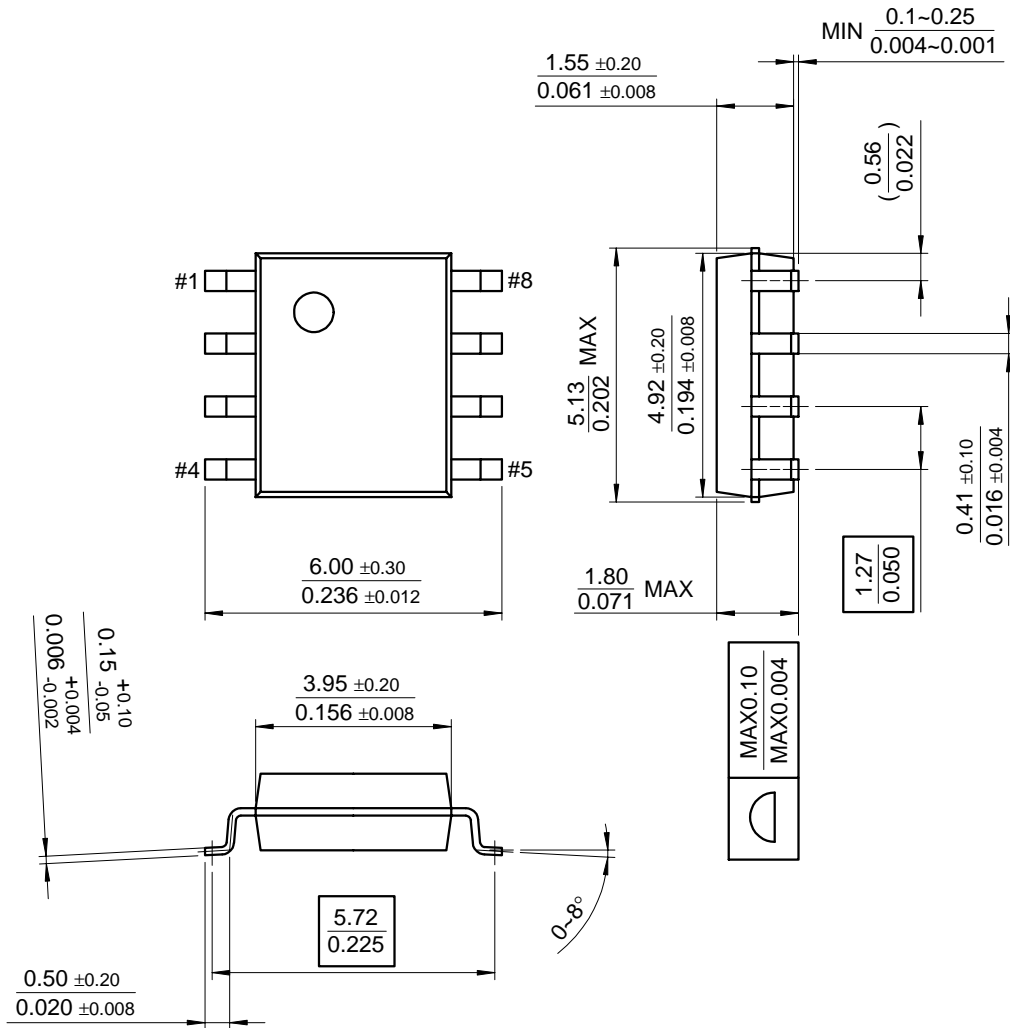


Mechanical Dimensions (Continued)

Package

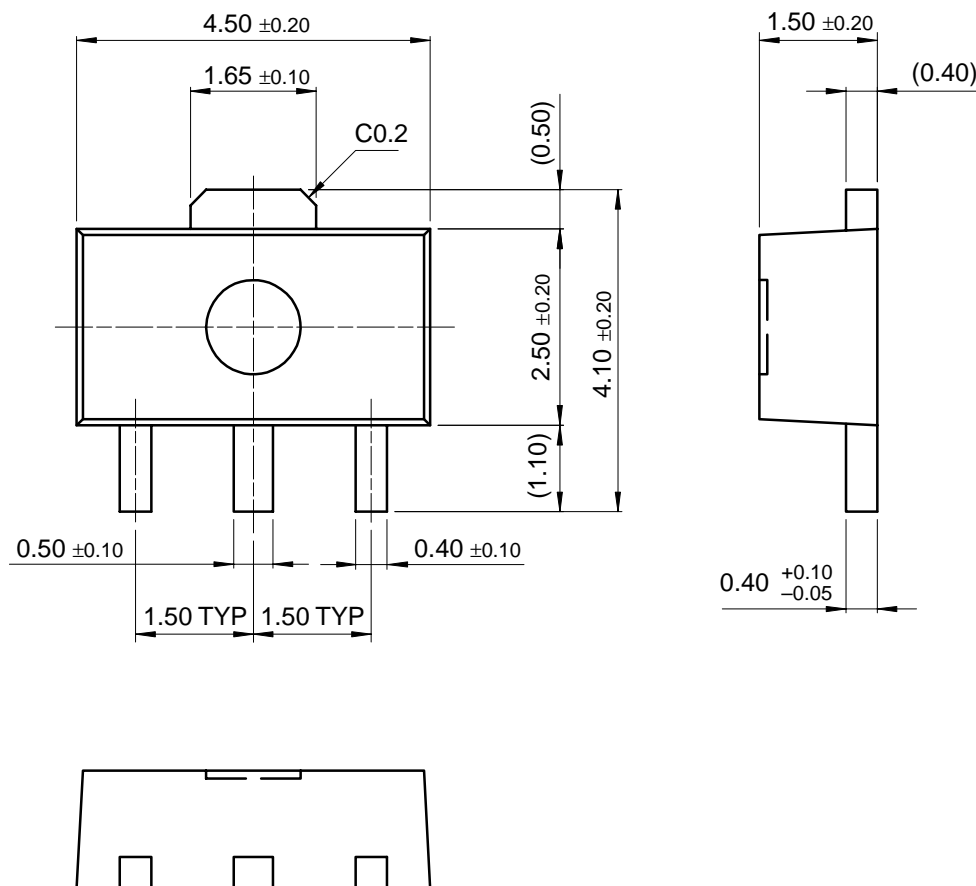
Dimensions in millimeters

8-SOP



Mechanical Dimensions (Continued)**Package**

Dimensions in millimeters

SOT-89

Ordering Information

| Product Number | Package | Output Voltage Tolerance | Operating Temperature | | | | |
|----------------|---------|--------------------------|-----------------------|-------|----|-------------|-------------|
| KA78L05AZ | TO-92 | 5% | 0 ~ +125 °C | | | | |
| KA78L06AZ | | | | | | | |
| KA78L08AZ | | | | | | | |
| KA78L09AZ | | | | | | | |
| KA78L10AZ | | | | | | | |
| KA78L12AZ | | | | | | | |
| KA78L15AZ | | | | | | | |
| KA78L18AZ | | | | | | | |
| KA78L24AZ | | | | | | | |
| KA78L05AD | | | | 8-SOP | 5% | 0 ~ +125 °C | |
| KA78L08AD | | | | | | | |
| KA78L12AD | | | | | | | |
| KA78L05AM | SOT-89 | 5% | 0 ~ +125 °C | | | | |
| KA78L08AM | | | | | | | |
| KA78L12AM | | | | | | | |
| KA78L05AAZ | TO-92 | | | 2% | | | 0 ~ +125 °C |

DISCLAIMER

FAIRCHILD SEMICONDUCTOR RESERVES THE RIGHT TO MAKE CHANGES WITHOUT FURTHER NOTICE TO ANY PRODUCTS HEREIN TO IMPROVE RELIABILITY, FUNCTION OR DESIGN. FAIRCHILD DOES NOT ASSUME ANY LIABILITY ARISING OUT OF THE APPLICATION OR USE OF ANY PRODUCT OR CIRCUIT DESCRIBED HEREIN; NEITHER DOES IT CONVEY ANY LICENSE UNDER ITS PATENT RIGHTS, NOR THE RIGHTS OF OTHERS.

LIFE SUPPORT POLICY

FAIRCHILD'S PRODUCTS ARE NOT AUTHORIZED FOR USE AS CRITICAL COMPONENTS IN LIFE SUPPORT DEVICES OR SYSTEMS WITHOUT THE EXPRESS WRITTEN APPROVAL OF THE PRESIDENT OF FAIRCHILD SEMICONDUCTOR CORPORATION. As used herein:

1. Life support devices or systems are devices or systems which, (a) are intended for surgical implant into the body, or (b) support or sustain life, and (c) whose failure to perform when properly used in accordance with instructions for use provided in the labeling, can be reasonably expected to result in a significant injury of the user.
2. A critical component in any component of a life support device or system whose failure to perform can be reasonably expected to cause the failure of the life support device or system, or to affect its safety or effectiveness.