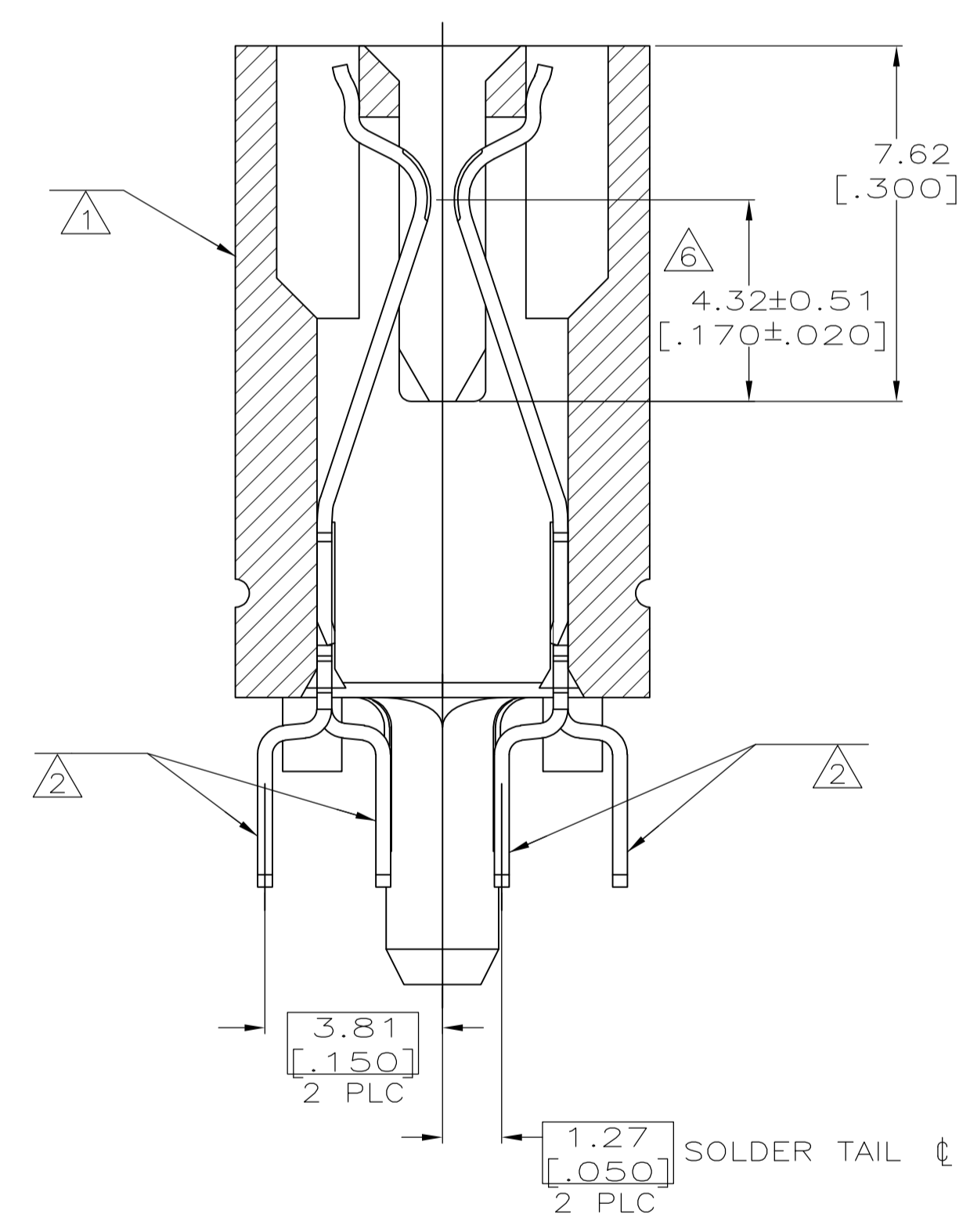
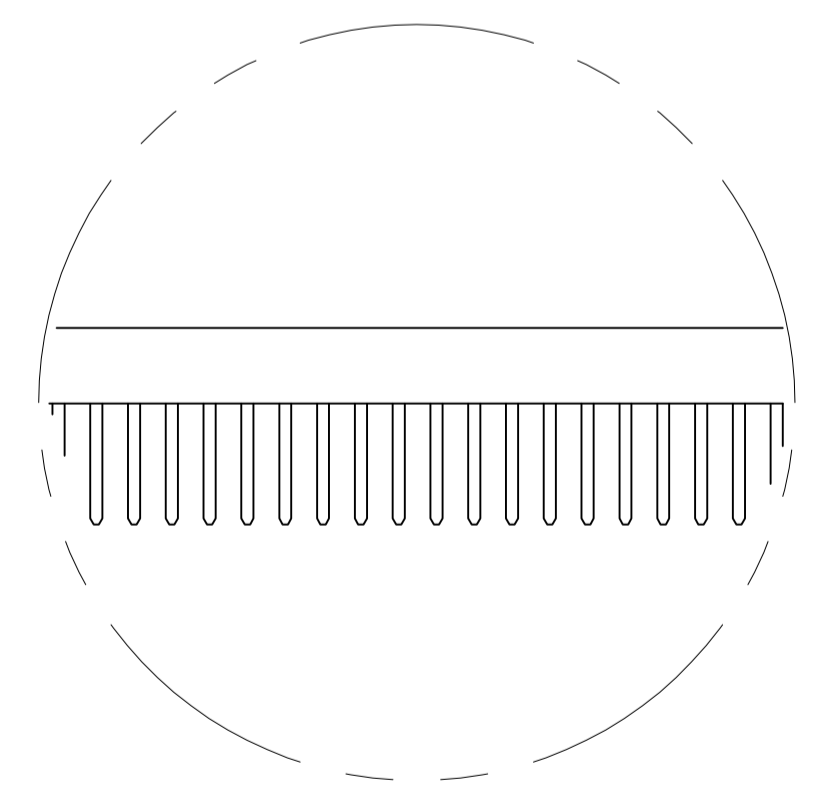


- 1 HOUSING: HIGH TEMPERATURE THERMOPLASTIC. COLOR - NATURAL
- 2 CONTACT: PHOSPHOR BRONZE.
- 3 CONTACT FINISH: .001269[.000050] MIN NICKEL ALL OVER. GOLD FLASH OVER NICKEL IN CONTACT AREA. .002537[.000100] MIN TIN OVER NICKEL ON SOLDER TAILS.
- 4 CONTACT FINISH: .001269[.000050] MIN NICKEL ALL OVER. .000375[.000015] MIN GOLD OVER NICKEL IN CONTACT AREA. .002537[.000100] MIN TIN OVER NICKEL ON SOLDER TAILS.
- 5 CONTACT FINISH: .001269[.000050] MIN NICKEL ALL OVER. .000757[.000030] MIN GOLD OVER NICKEL IN CONTACT AREA. .002537[.000100] MIN TIN OVER NICKEL ON SOLDER TAILS.
- 6 DISTANCE FROM CONTACT POINT TO BOTTOM OF CARD SLOT.
- 7 TE CONNECTIVITY PART NUMBER, DATE CODE AND CSA LOGO SHOULD BE MARKED ON THE SIDE OF THE HOUSING NEAR THE AMP LOGO.
- 8 CORED OR SOLID SIDE WALLS ARE AT DISCRETION OF TE CONNECTIVITY
- 9 PIN 44~49 AND PIN 104~109 ARE NOT LOADED.

SEE SHEET 2 FOR HOLE PATTERN



SECTION L-L
SCALE 8:1

3.56 [.140]	5	1-5145154-2
3.18 [.125]	5	5145154-8
2.54 [.100]	5	5145154-4
2.54 [.100]	4	5145154-2
2.54 [.100]	3	5145154-1
W	FINISH	PART NUMBER

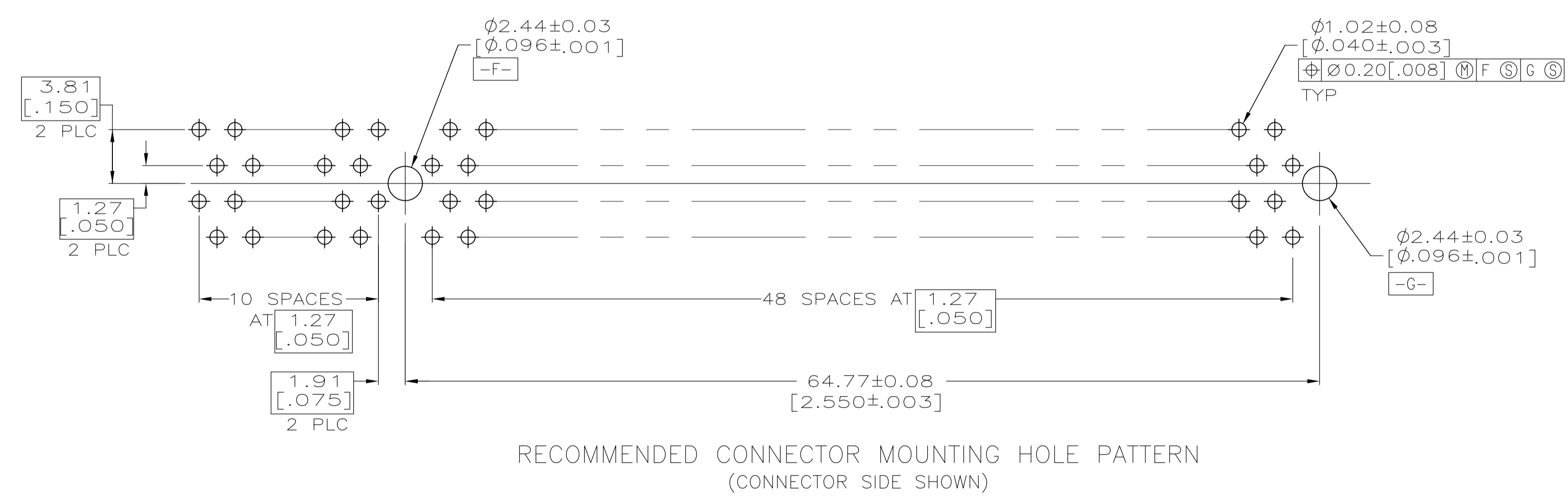
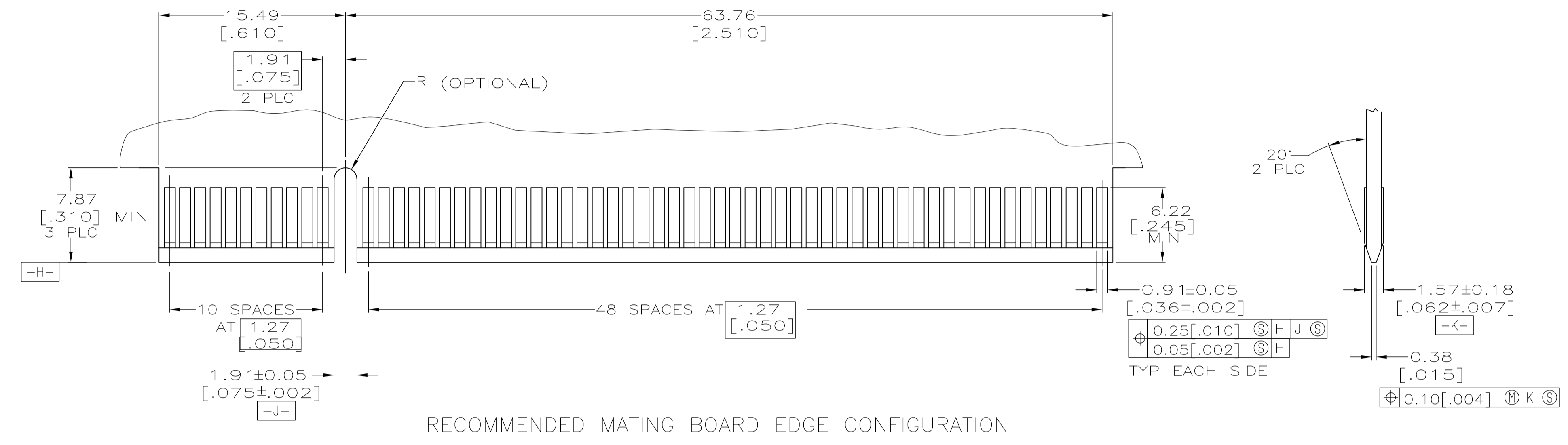
THIS DRAWING IS A CONTROLLED DOCUMENT.

DIMENSIONS: mm [INCHES]	TOLERANCES UNLESS OTHERWISE SPECIFIED:	0 PLC ± -	1 PLC ± -	2 PLC ± .25[.01]	3 PLC ± .125 [.005]	4 PLC ± - ± γ	ANGLES ± - ± γ
MATERIAL	FINISH	WEIGHT	APPROVED	DATE	NAME	PRODUCT SPEC	APPLICATION SPEC
			AL FRANTUM	20 MAY 04	AL FRANTUM	108-14034	114-26012
CUSTOMER DRAWING		SCALE 4:1	SHEET 1 OF 4		REV E		

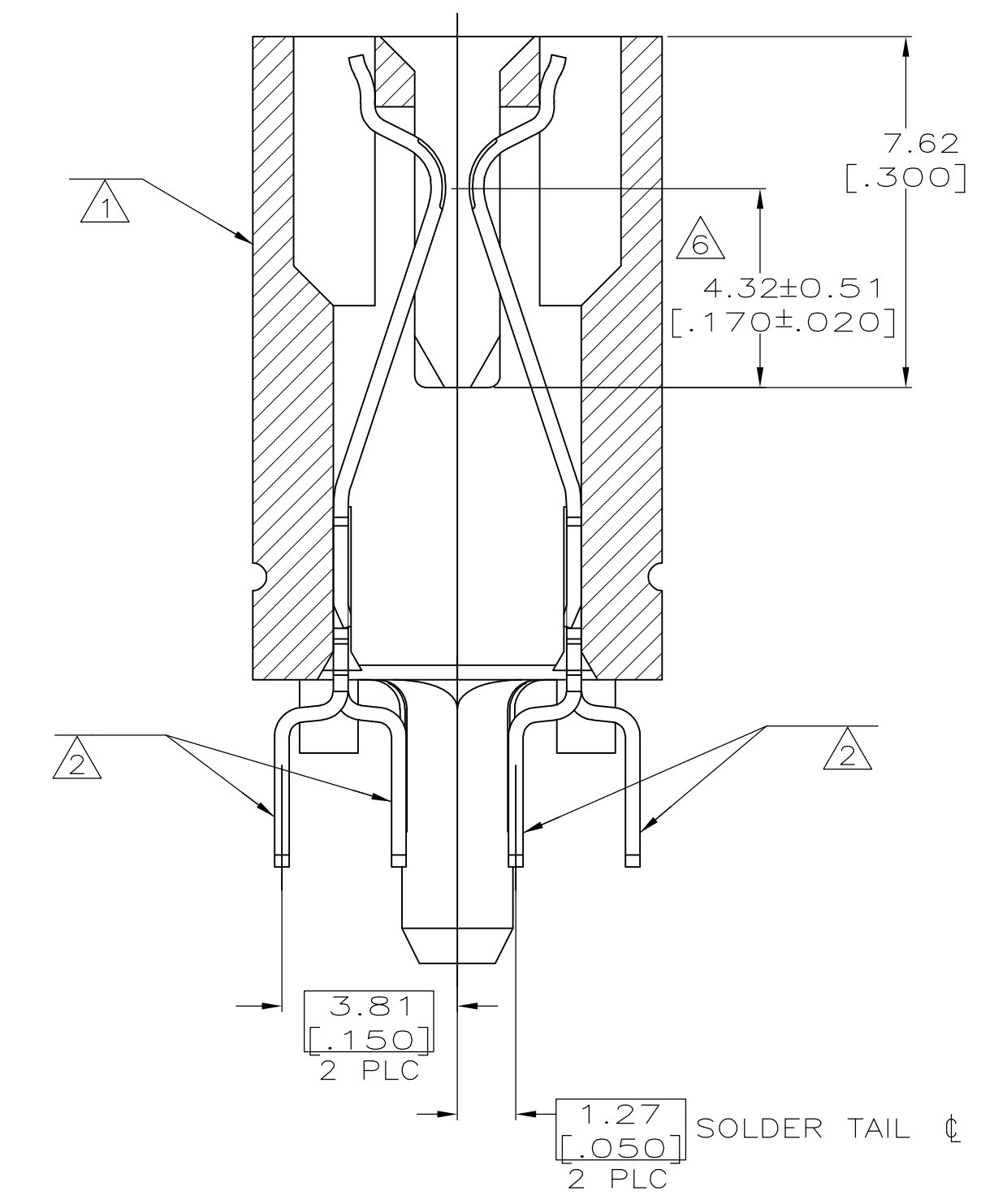
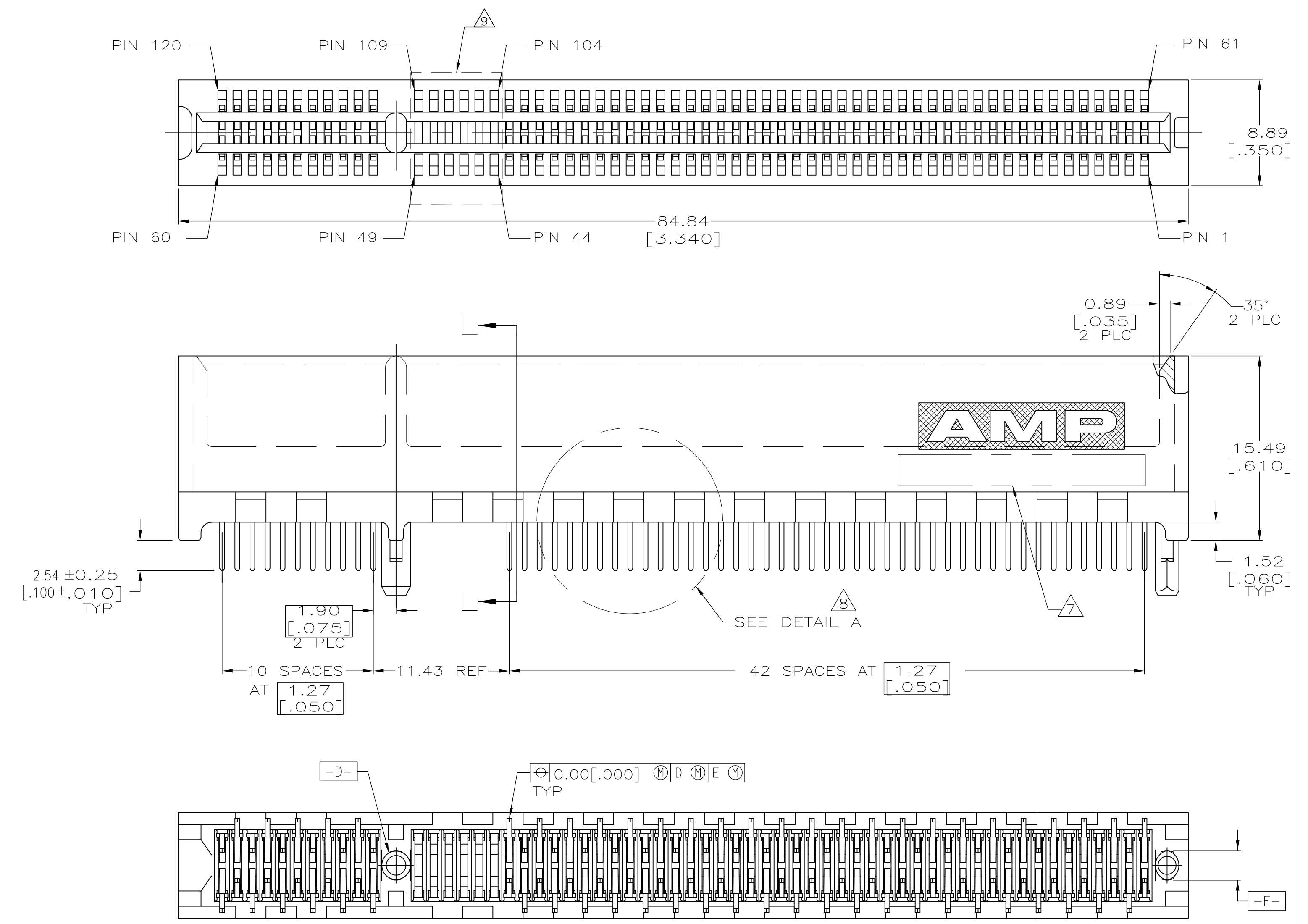
STE TE Connectivity

CONNECTOR ASSEMBLY, 60 DUAL POSITION, 1.27 [.050] SERIES, CARD EDGE

00779 5145154

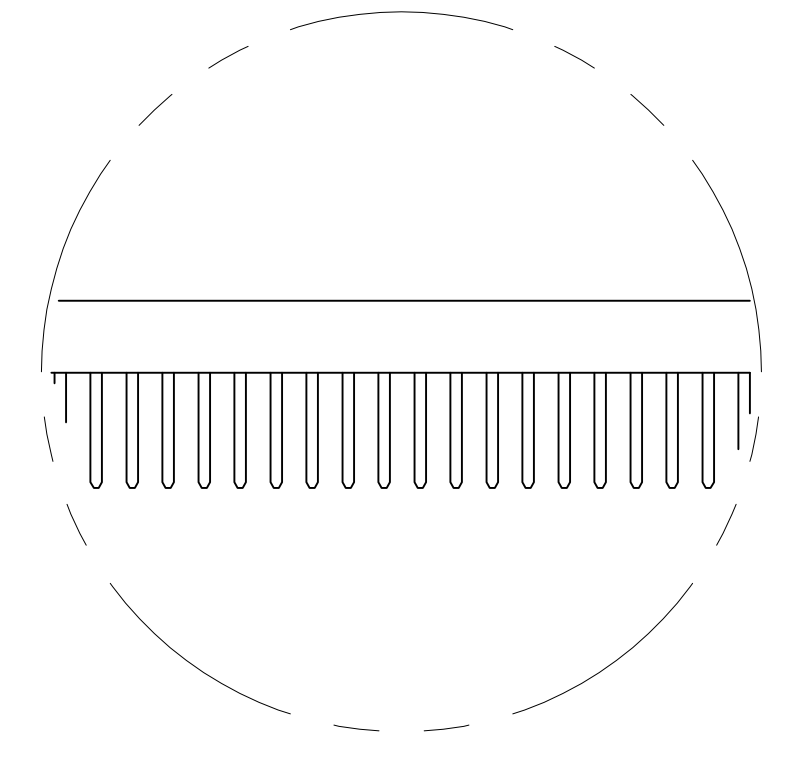


THIS DRAWING IS A CONTROLLED DOCUMENT.		DN AL FRANTUM 20 MAY 04	TE Connectivity	
		CHK AL FRANTUM 20 MAY 04		
DIMENSIONS: mm [INCHES]	TOLERANCES UNLESS OTHERWISE SPECIFIED:	APVD -	NAME	CONNECTOR ASSEMBLY, 60 DUAL POSITION, 1.27 [.050] SERIES, CARD EDGE
	0 PLC ± -	PRODUCT SPEC	108-14034	
	1 PLC ± -	APPLICATION SPEC	114-26012	
MATERIAL	FINISH	WEIGHT	SIZE A1	SCALE 4:1
		CUSTOMER DRAWING	DRAWING NO 5145154	SHEET 2 OF 4



SECTION L-L
SCALE 8:1

SEE SHEET 4 FOR HOLE PATTERN

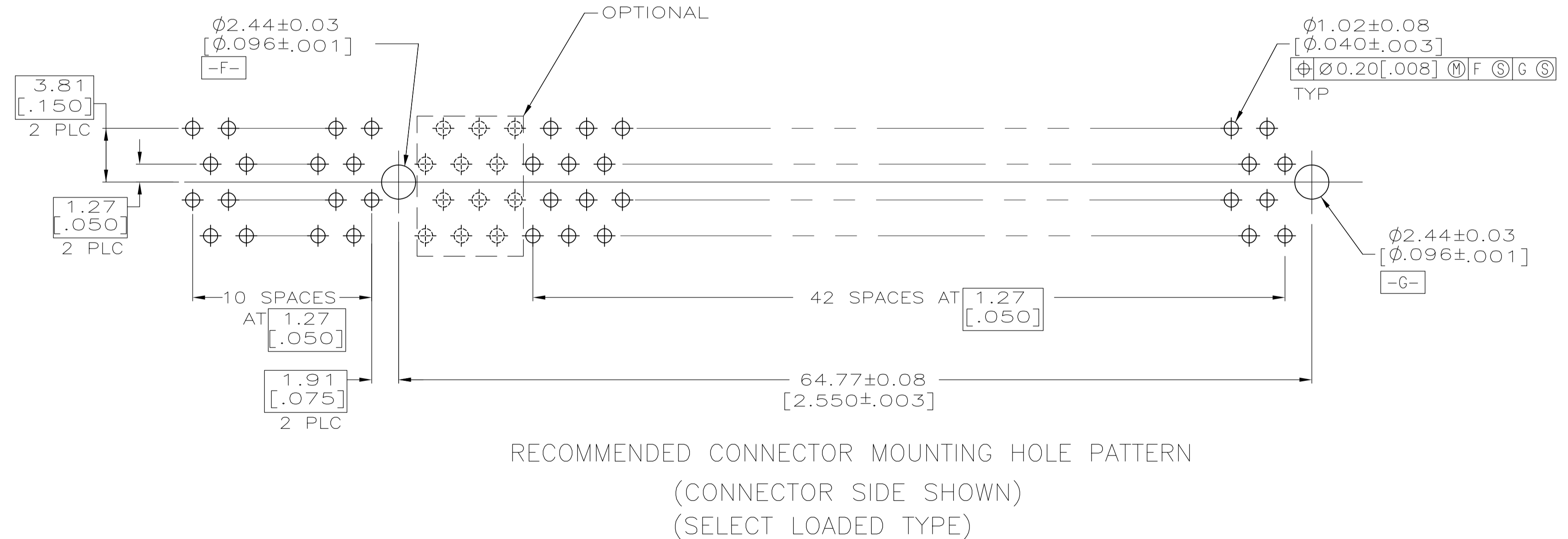
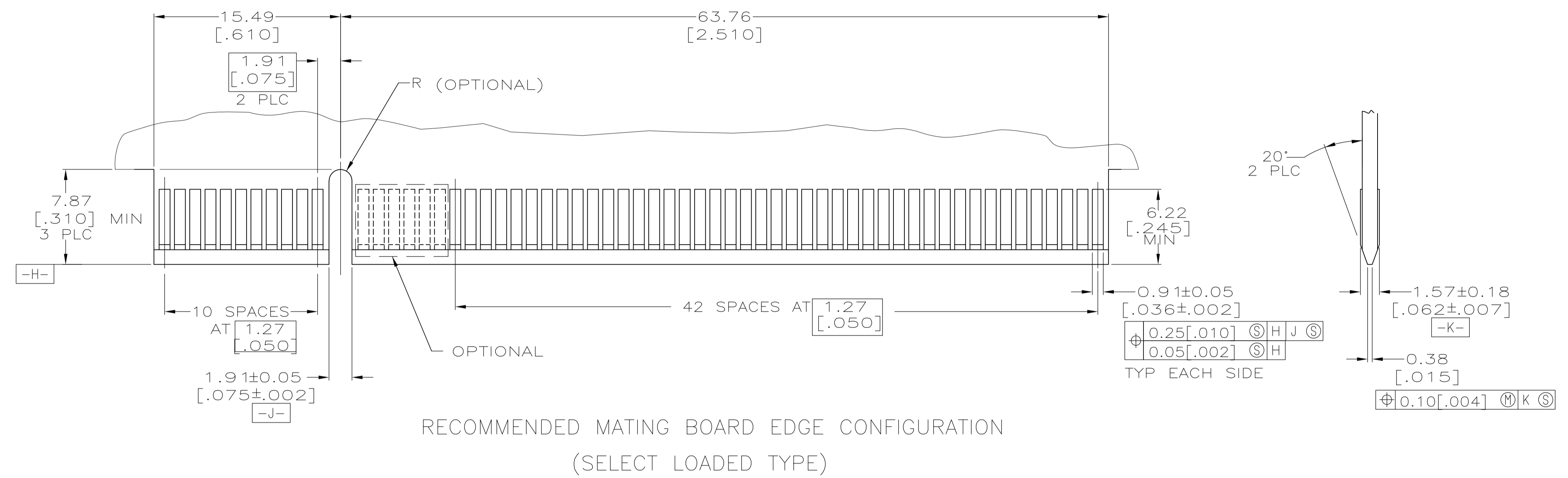


DETAIL A

SELECT LOADED TYPE AS SHOWN.

	2-5145154-1
FINISH	PART NUMBER

THIS DRAWING IS A CONTROLLED DOCUMENT.		DWN: AL FRANTUM 20 MAY 04	TE Connectivity	
DIMENSIONS: mm [INCHES]		CHK: AL FRANTUM 20 MAY 04	CONNECTOR ASSEMBLY, 60 DUAL POSITION, 1.27 [.050] SERIES, CARD EDGE	
TOLERANCES UNLESS OTHERWISE SPECIFIED:		APVD: -	PRODUCT SPEC: 108-14034	
0 PLC ± -		NAME: -	APPLICATION SPEC: 114-26012	
1 PLC ± -		SIZE: A1	CAGE CODE: 00779	DRAWING NO: 5145154
2 PLC ± .25 [.01]		RESTRICTED TO: -	CUSTOMER DRAWING	
3 PLC ± .125 [.005]		SCALE: 4:1	SHEET: 3 OF 4	REV: E
4 PLC ± -				
ANGLES ± °				
FINISH -				



THIS DRAWING IS A CONTROLLED DOCUMENT.		DN AL FRANTUM 20 MAY 04	TE Connectivity
		CHK AL FRANTUM 20 MAY 04	
DIMENSIONS:	TOLERANCES UNLESS OTHERWISE SPECIFIED:	APVD -	NAME
mm [INCHES]	0 PLC ± -	PRODUCT SPEC	CONNECTOR ASSEMBLY,
	1 PLC ± -	108-14034	60 DUAL POSITION,
	2 PLC ± .25 [.01]	APPLICATION SPEC	1.27 [.050] SERIES, CARD EDGE
	3 PLC ± .125 [.005]	114-26012	SIZE
	4 PLC ± -	WEIGHT	SCALE
	ANGLES ± ± °	00779	4:1
MATERIAL	FINISH	5145154	SHEET 4 OF 4
		CUSTOMER DRAWING	REV E