

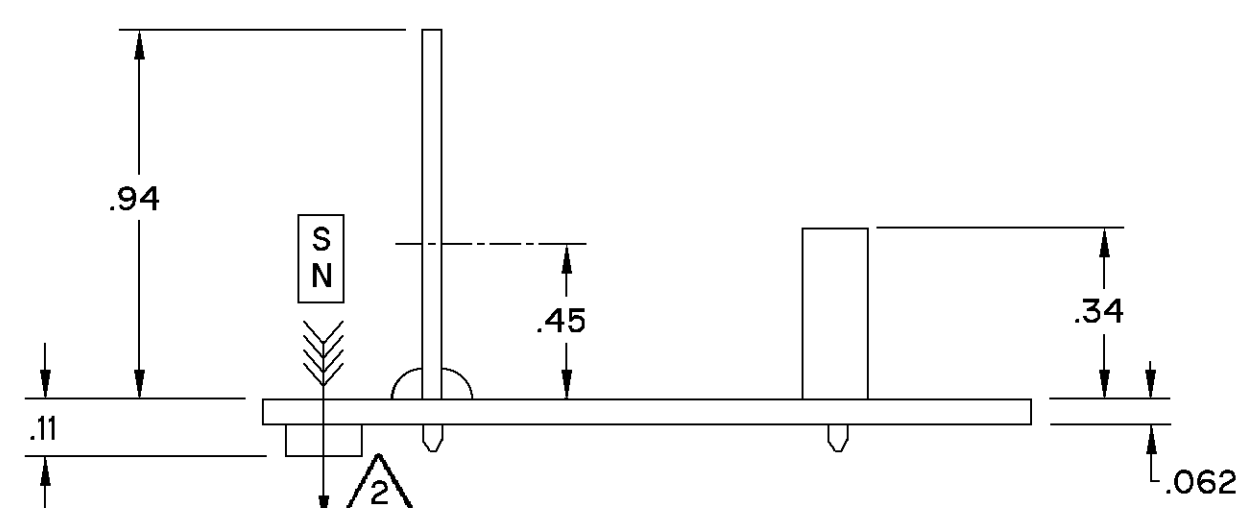
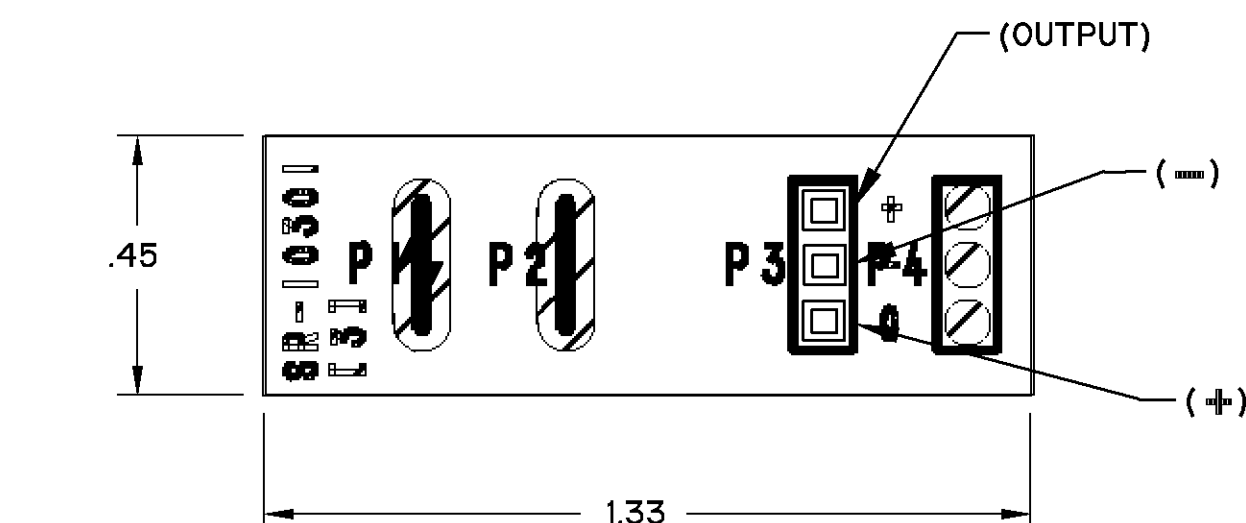
ELECTRICAL SPECIFICATIONS

CHARACTERISTIC	TEST CONDITIONS		UNITS
VOLTAGE RANGE		3.8 TO 30	VOLTS
MAX I <sub>on</sub>	V <sub>cc</sub> = 30V, -40°C < T < 150°C, B > MAX OP	10.0	mA
MAX I <sub>off</sub>	V <sub>cc</sub> = 30V, V <sub>out</sub> = 30V, -40°C < T < 150°C, B < MIN REL	10.0	mA
SINK CURRENT		20	mA
MAX V <sub>sat</sub>	V <sub>cc</sub> = 3.8V, B > MAX OP	0.4	VOLTS
MAX LEAKAGE		10	μA
RISE TIME 10% TO 90%	V <sub>cc</sub> = 12V, R <sub>L</sub> = 1.6K Ω, C <sub>L</sub> = 20 pf	1.5	μS
FALL TIME 90% TO 10%	V <sub>cc</sub> = 12V, R <sub>L</sub> = 1.6K Ω, C <sub>L</sub> = 20 pf	1.5	μS

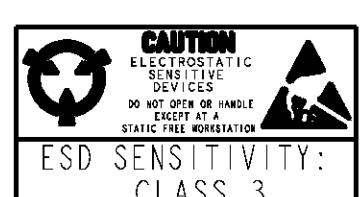
ABSOLUTE MAXIMUM RATING <sup>1</sup>				
CHARACTERISTIC	SYMBOL	MIN	MAX	UNITS
POWER SUPPLY	V <sub>cc</sub>	-1	30	VOLTS
OUTPUT VOLTAGE (OFF)	V <sub>out</sub>		30	VOLTS
OUTPUT ON CURRENT	I SINK		50	mA
OPERATING TEMPERATURE	T	-25°	125°	°C
STORAGE TEMPERATURE	T <sub>s</sub>	-40°	150°	°C
MAGNETIC FLUX	NO LIMIT			

MAGNETIC SPECIFICATIONS					
TEMP. (DEGREES CELSIUS)	-40	0	25	85	125
MIN. OPERATE GAUSS	50	53	55	45	40
MAX OPERATE GAUSS	135	117	115	120	123
MIN RELEASE GAUSS	20	20	20	15	15
MAX RELEASE GAUSS	120	99	95	105	115
MIN DIFFERENTIAL GAUSS	15	15	20	15	8

DRAWING NUMBER: SR11D-C5  
 ISSUE: 2  
 PAGE 1 OF 1  
 RELEASE NO.: PR-23702  
 X11416-SR  
 REVISIONS:  
 A 201747  
 JLH  
 22NOV00  
 CHECK: JAF  
 11 MAY 99  
 DRAWN: JAF  
 11 MAY 99  
 FORMTEK



- NOTES
- 1 ABSOLUTE MAXIMUM RATINGS ARE THE EXTREME LIMITS THE DEVICE WILL MOMENTARILY WITHSTAND WITHOUT DAMAGE TO THE DEVICE. ELECTRICAL AND MAGNETIC CHARACTERISTICS ARE NOT GUARANTEED IF THE SPECIFIED VOLTAGE AND/OR CURRENTS ARE EXCEEDED NOR WILL THE DEVICE NECESSARILY OPERATE AT ABSOLUTE MAXIMUM RATING
  - 2 THE MAGNETIC FLUX USED TO OPERATE THE DEVICE MUST BE IN THE DIRECTION AND LOCATION SHOWN. (THIS ASSUMES THE CONVENTION THAT THE DIRECTION OF THE EXTERNAL FLUX OF A MAGNET IS FROM THE NORTH TO THE SOUTH POLE OF THE MAGNET)
  - 3 - THE MAGNETIC FIELD STRENGTH (GAUSS) REQUIRED TO CAUSE THE DEVICE TO CHANGE STATE (OPERATE AND RELEASE) WILL BE AS SPECIFIED IN THE MAGNETIC CHARACTERISTICS. TO TEST THE DEVICE AGAINST THE SPECIFIED MAGNETIC CHARACTERISTICS, THE DEVICE MUST BE PLACED IN A UNIFORM MAGNETIC FIELD



MASTER REDUCED

THIS DRAWING COVERS A PROPRIETARY ITEM AND IS THE PROPERTY OF MICRO SWITCH, A DIVISION OF HONEYWELL. THIS DRAWING IS NOT TO BE COPIED OR USED WITHOUT THE APPROVAL OF MICRO SWITCH.

**MICRO SWITCH** a Honeywell Division

**MAGNETICALLY OPERATED HALL SENSOR**

CATALOG LISTING  
**SR11D-C5**

FED. MFG. CODE 91929

THIRD ANGLE PROJECTION		
SCALE	NONE	
DO NOT SCALE PRINT		
UNLESS OTHERWISE SPECIFIED TOLERANCES ARE		
ONE PLACE	(.0)	±.030
TWO PLACES	(.00)	±.015
THREE PLACES	(.000)	±.005
ANGLES		±
WEIGHT		