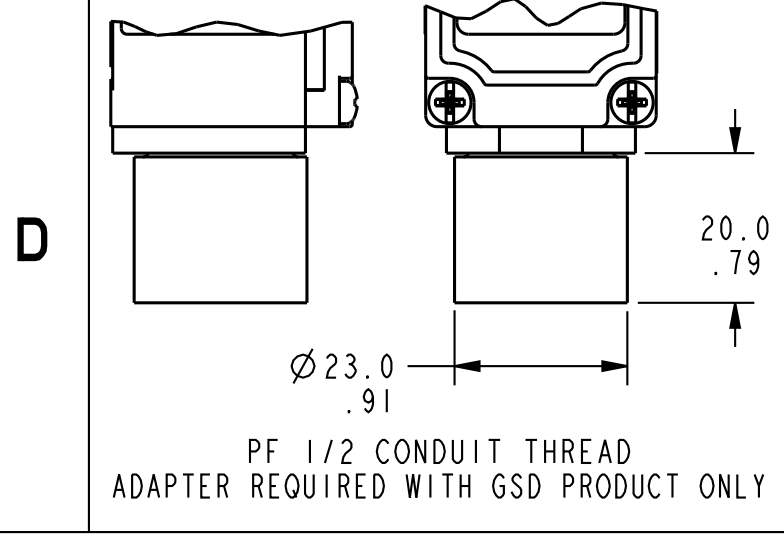
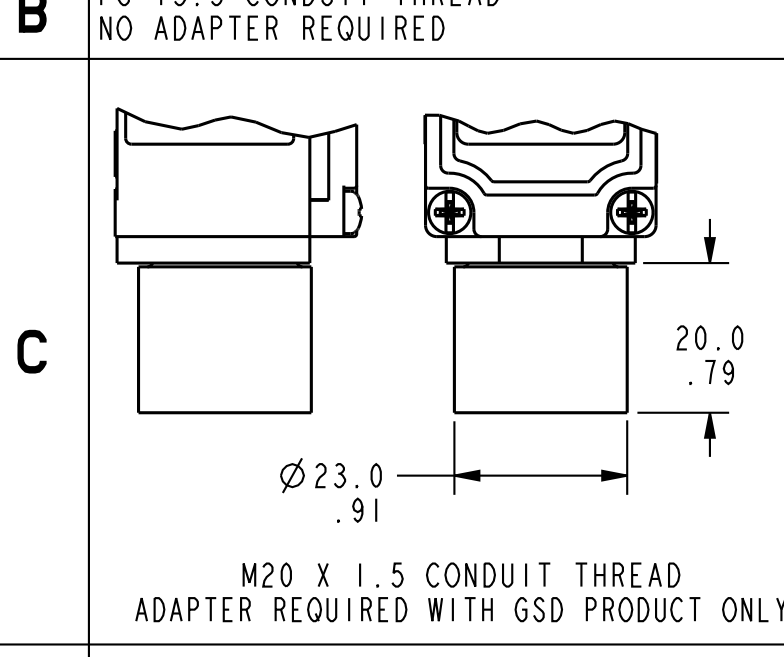
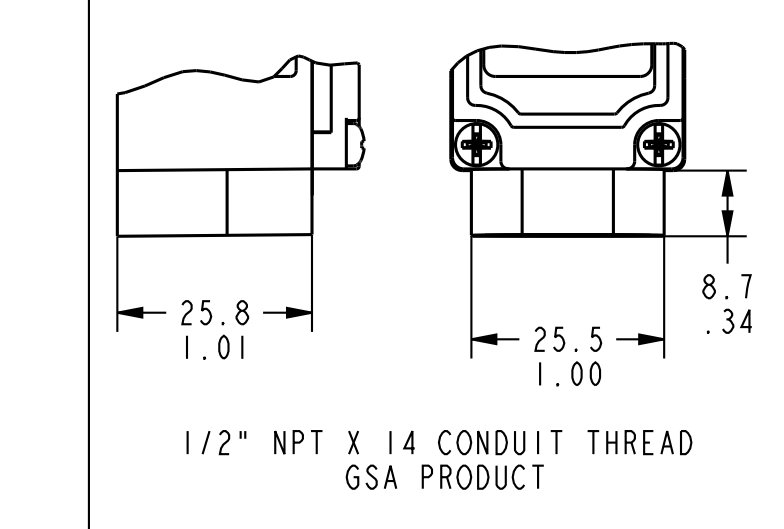
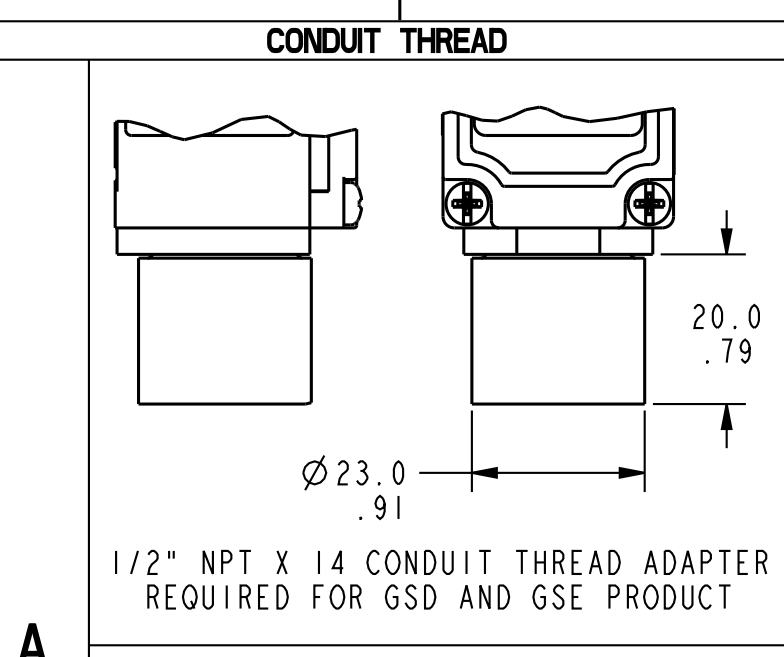
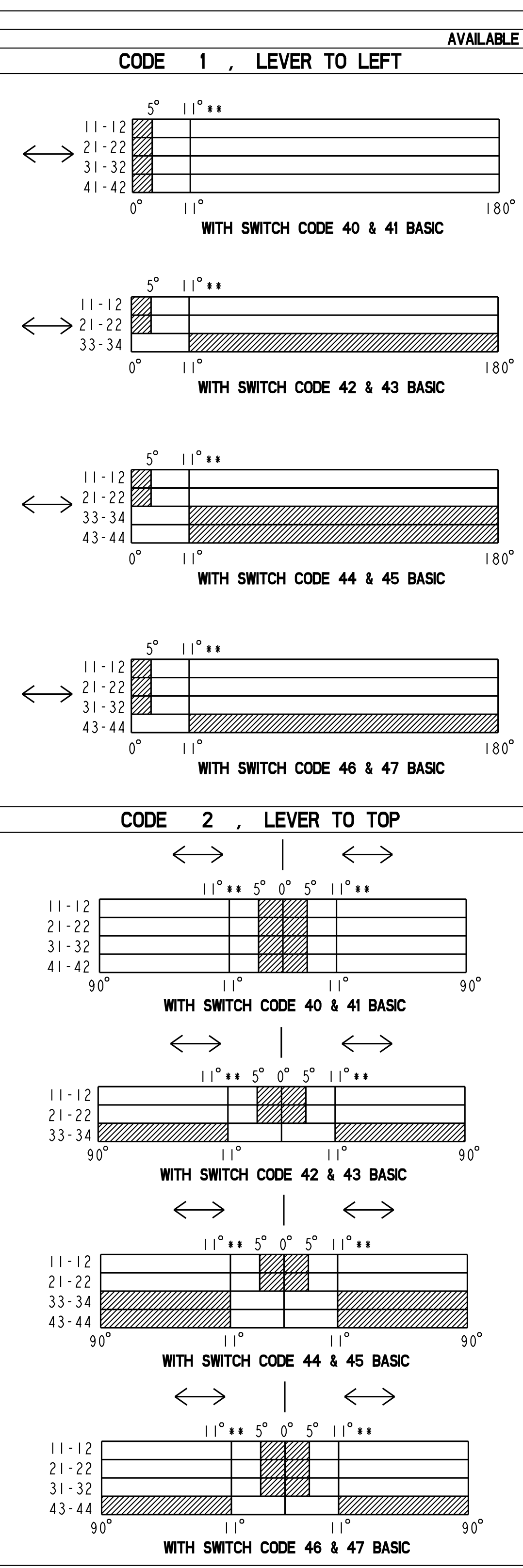
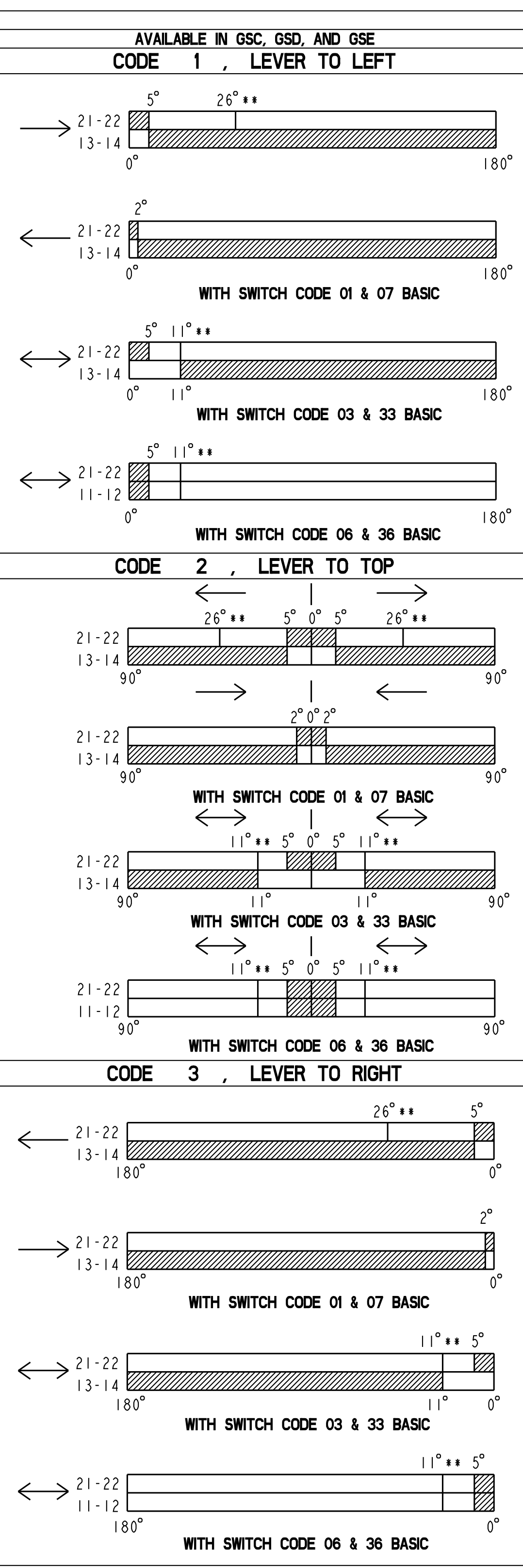


C	ZINC DIECAST BODY AND HEAD WITH STEEL COVER, BODY AND COVER FINISHED IN RED EPOXY PAINT HEAD FINISHED IN BLACK EPOXY PAINT
D	RED GLASS FILLED POLYESTER HOUSING AND COVER, ZINC DIECAST HEAD FINISHED IN BLACK EPOXY PAINT
E	ZINC DIECAST BODY AND HEAD WITH STEEL COVER, BODY AND COVER FINISHED IN RED EPOXY PAINT, HEAD FINISHED IN BLACK EPOXY PAINT 3 - CONDUIT



AVAILABLE IN GSC, GSD, AND GSE	AVAILABLE IN GSE ONLY
01 SNAP-ACTION CONTACTS 	40 SLOW-ACTION CONTACTS (BREAK BEFORE MAKE)
07 SNAP-ACTION CONTACTS (GOLD PLATED CONTACTS) 	41 SLOW-ACTION CONTACTS (BREAK BEFORE MAKE) (GOLD PLATED CONTACTS)
03 SLOW-ACTION CONTACTS (BREAK BEFORE MAKE) 	42 SLOW-ACTION CONTACTS (BREAK BEFORE MAKE)
33 SLOW-ACTION CONTACTS (BREAK BEFORE MAKE) (GOLD PLATED CONTACTS) 	43 SLOW-ACTION CONTACTS (BREAK BEFORE MAKE) (GOLD PLATED CONTACTS)
06 SLOW-ACTION CONTACTS (2 NORMALLY CLOSED) 	44 SLOW-ACTION CONTACTS (BREAK BEFORE MAKE)
36 SLOW-ACTION CONTACTS (2 NORMALLY CLOSED) (GOLD PLATED CONTACTS) 	45 SLOW-ACTION CONTACTS (BREAK BEFORE MAKE) (GOLD PLATED CONTACTS)
3Y SLOW-ACTION CONTACTS (BREAK BEFORE MAKE) 	46 SLOW-ACTION CONTACTS (BREAK BEFORE MAKE)
3Y, 1X SLOW-ACTION CONTACTS (BREAK BEFORE MAKE) 	47 SLOW-ACTION CONTACTS (BREAK BEFORE MAKE) (GOLD PLATED CONTACTS)



NOTES:

- 1 - MAXIMUM OPERATING TORQUE - .12 Nm / .1 in-lb
- 2 - MAXIMUM DISCONNECT TORQUE - .16 Nm / .15 in-lb
- 3 - MAXIMUM TIGHTENING TORQUE FOR FIXING SCREW - 0.5Nm/4.4in-lb (GSC & GSE PRODUCTS) 0.339Nm/3 in-lb (GSD PRODUCTS)
- 4 - IP66/IP67 NEMA 1, 4X (INDOOR USE ONLY), 12, 13 FOR GSD PRODUCTS

ELECTRICAL RATING - Ith = 10A			ENVIRONMENTAL	APPROVALS
SILVER CONTACTS		GOLD PLATED CONTACTS	IP66 NEMA 1, 4, 12, 13 TEMP RANGE: -40°C TO +85°C -40°F TO +185°F STORAGE: -40°C TO +85°C -40°F TO +185°F SHOCK: 50G PER IEC 68-2-27 VIBRATION: 100G PER IEC 68-2-6	 IEC 947-5-1 EN50047
AC FOR SWITCH CODES 01, 07, 03, 33	AC FOR SWITCH CODES 06, 36, 40, 41, 42, 43, 44, 45, 46, 47	DC		
A600 AC15 Ue Ie	A300 AC15 Ue Ie	Q300 DC13 Ue Ie		
VOLTS AMPS 120 6 240 3 380 1.9 480 1.5 500 1.4 600 1.2	VOLTS AMPS 120 6 240 3	VOLTS AMPS 125 0.55 250 0.27		
			1V 10uA MIN 50V 100mA MAX	

CONTACT CLOSED
 CONTACT OPEN
** POSITIVE OPENING TO IEC 947-5-1

THIS DRAWING COVERS A PROPRIETARY ITEM AND IS THE PROPERTY OF MICRO SWITCH, A DIVISION OF HONEYWELL. THIS DRAWING IS NOT TO BE COPIED OR USED WITHOUT THE APPROVAL OF MICRO SWITCH.

FED. MFG. CODE 91929 CATALOG LISTING

MICRO SWITCH
a Honeywell Division

LIMIT SWITCH

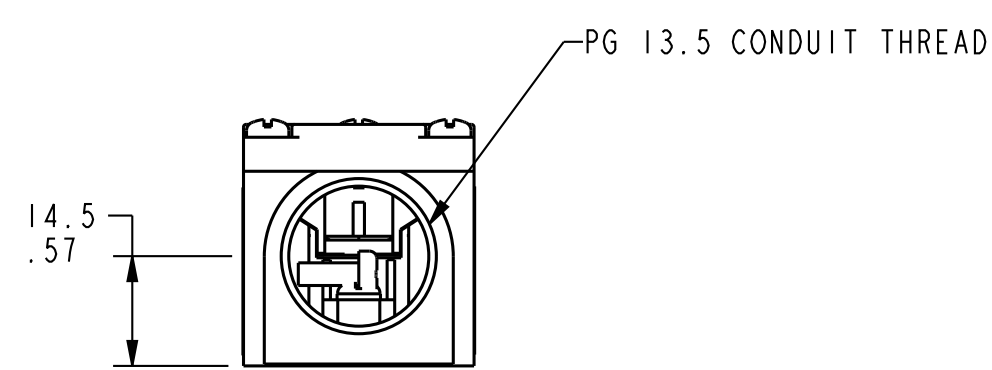
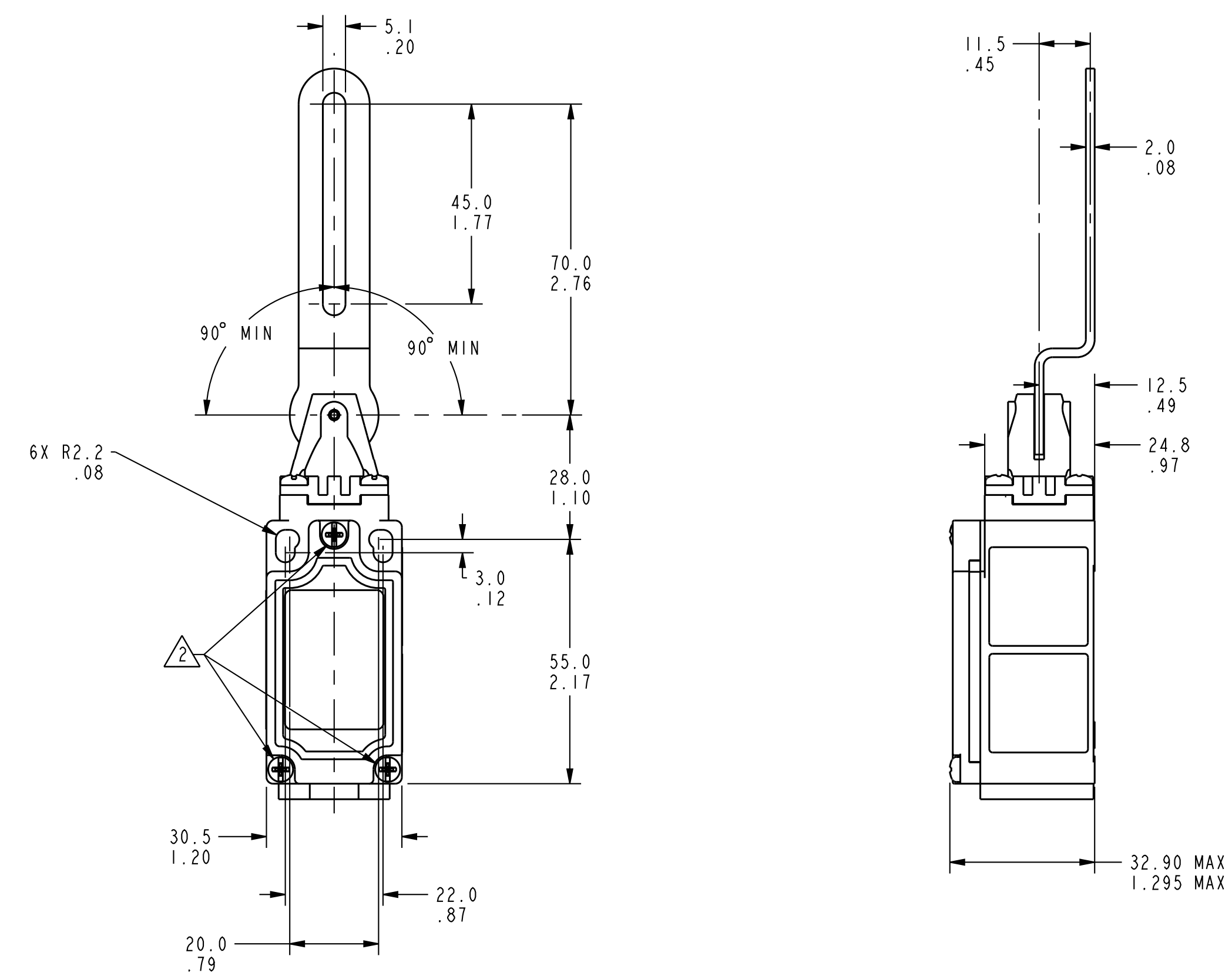
GS SERIES CHART 2

DESIGN UNITS SI METRIC US CUSTOMARY

WEIGHT TBD

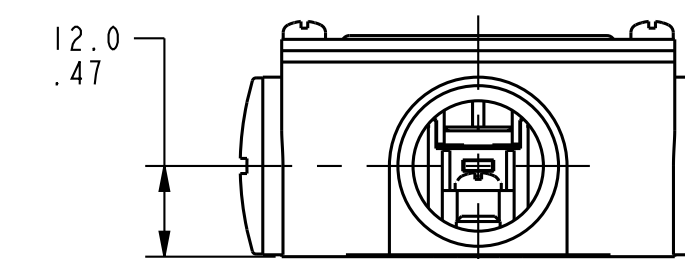
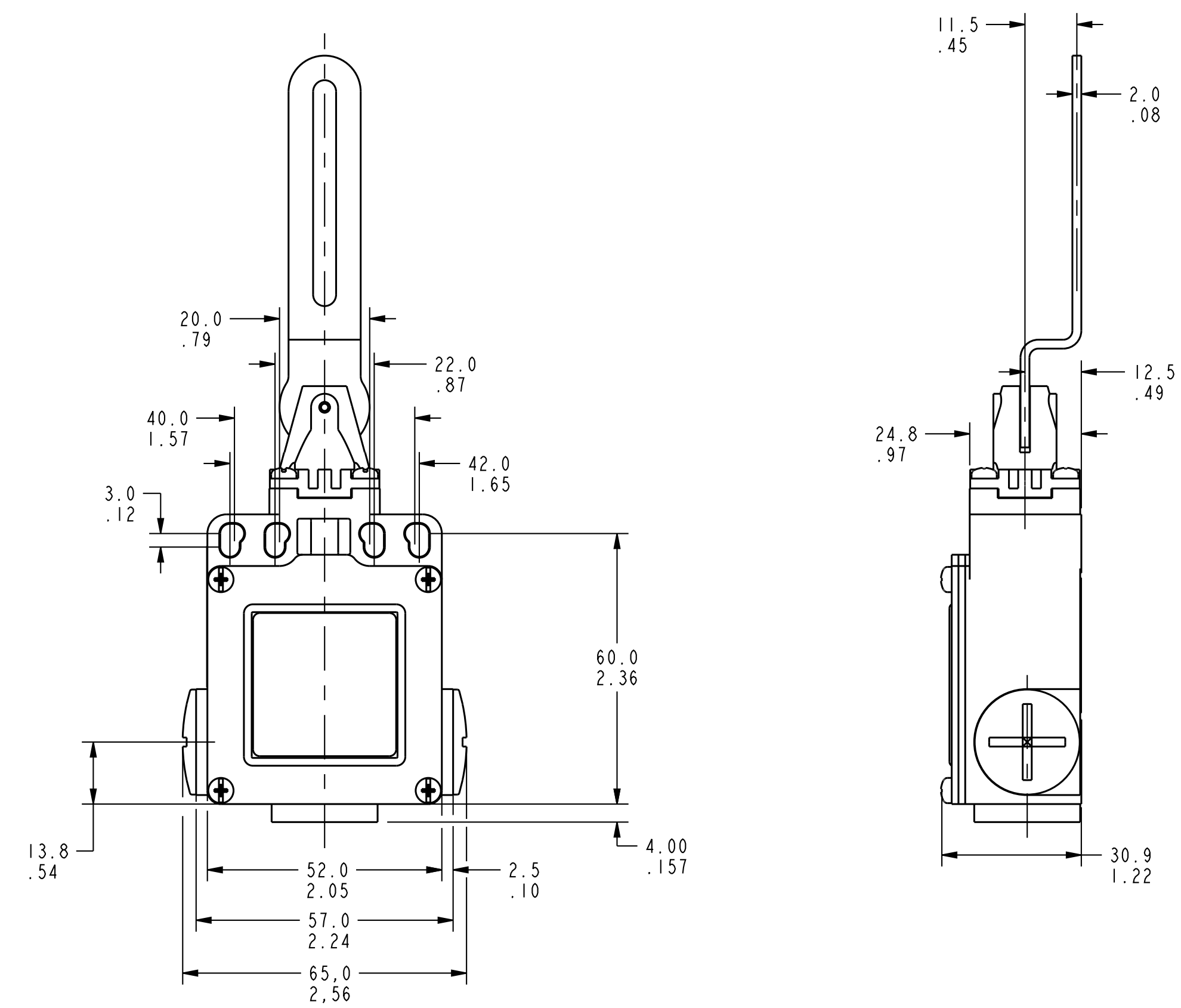
NO. PLACES	1.0	12.0	1.0	0.81.05
ONE PLACES	7.5	0.45.016	7.5	0.38.015
TWO PLACES	7.5	0.157.006	7.5	0.157.006

BODY CODES C AND D



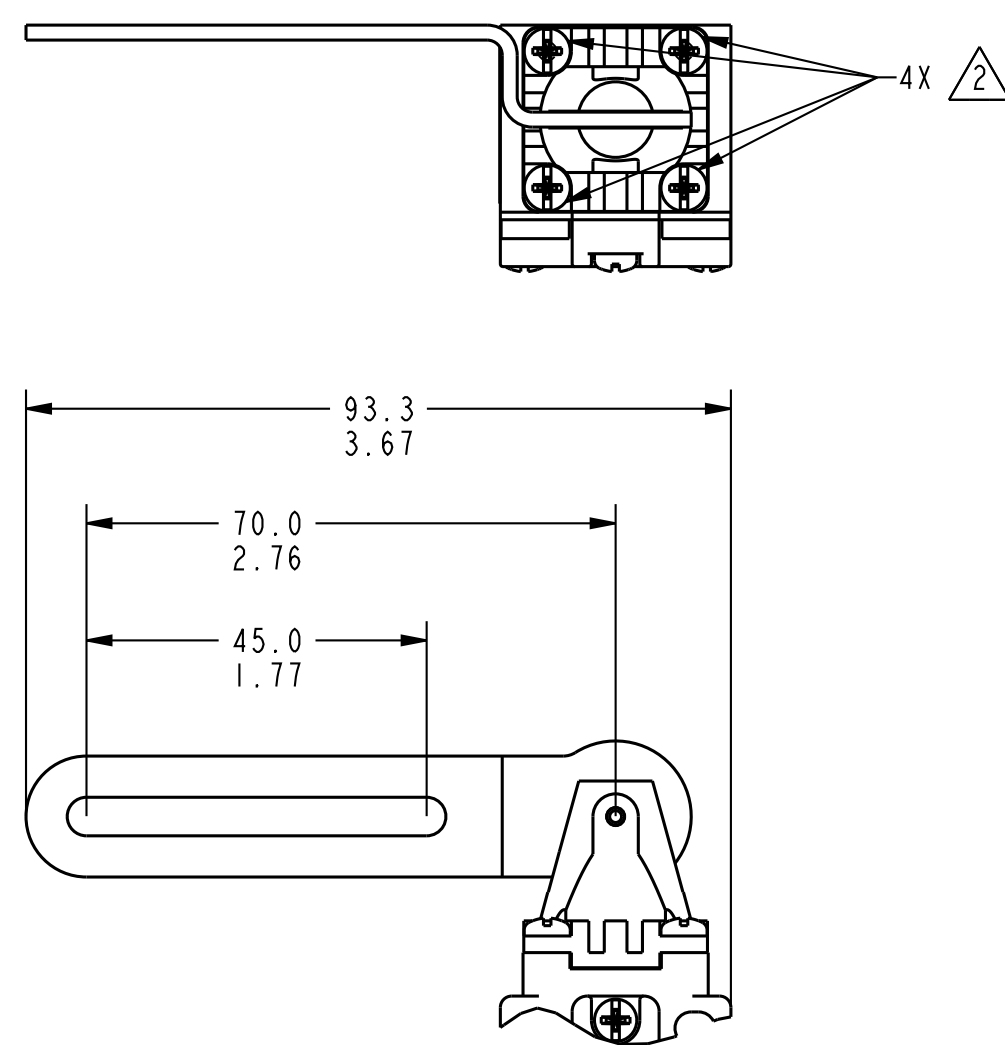
ACTUATOR CODE 2

BODY CODE E

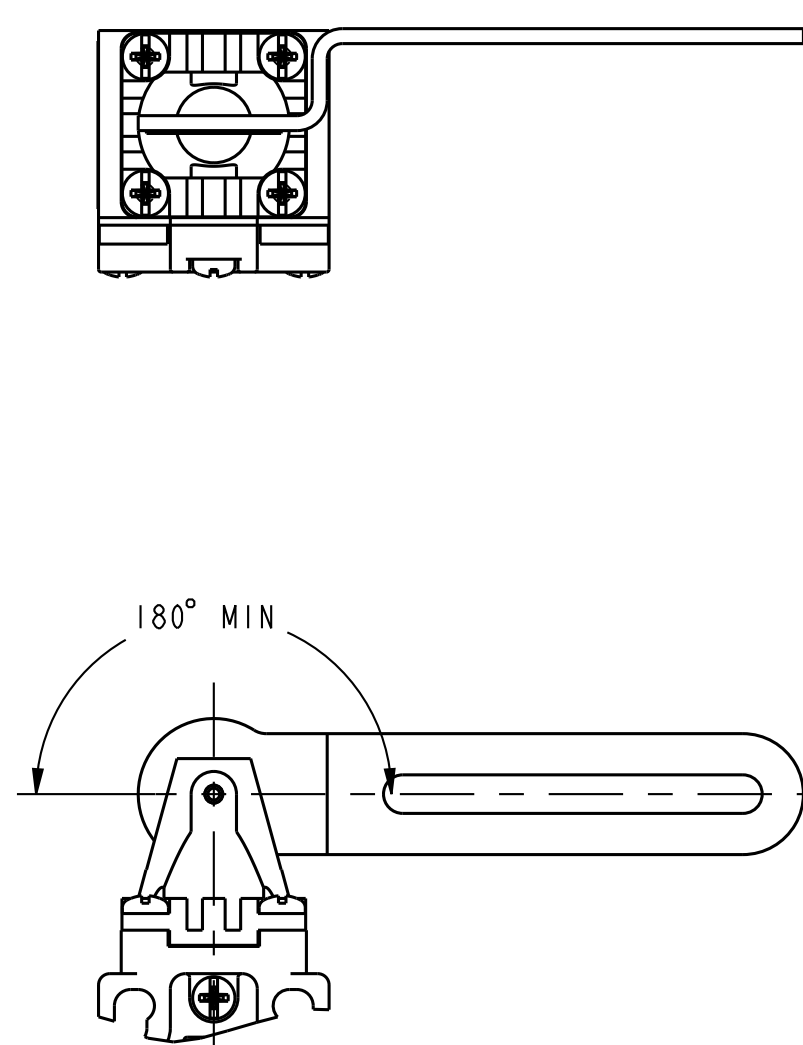


ACTUATOR CODE 2

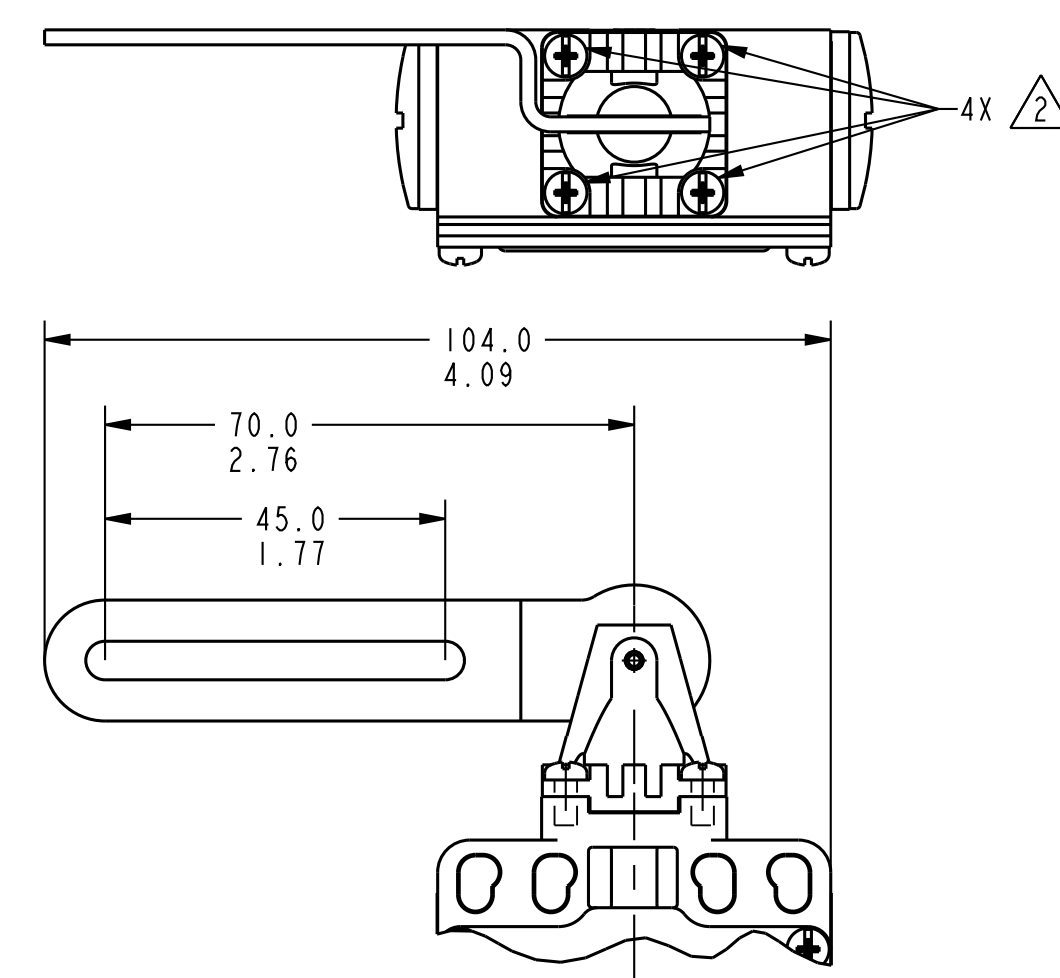
ISSUE: M15
 DRAWING NUMBER: 2 OF 2
 MGS SERIES CHART 2
 CHECK: CMH
 RELEASE NO: PR-24250
 REVISIONS: 1 090578Z
 20 MAY 84
 M002223
 31 MAY 86
 N 0063072
 08 APR 86
 P 0094575
 08 APR 86
 S. A. V. 180C199
 S. A. V. 180C199
 S. A. V. 180C199
 PTC/CAD
 ANS I Y14.5M-1982 APPLIES



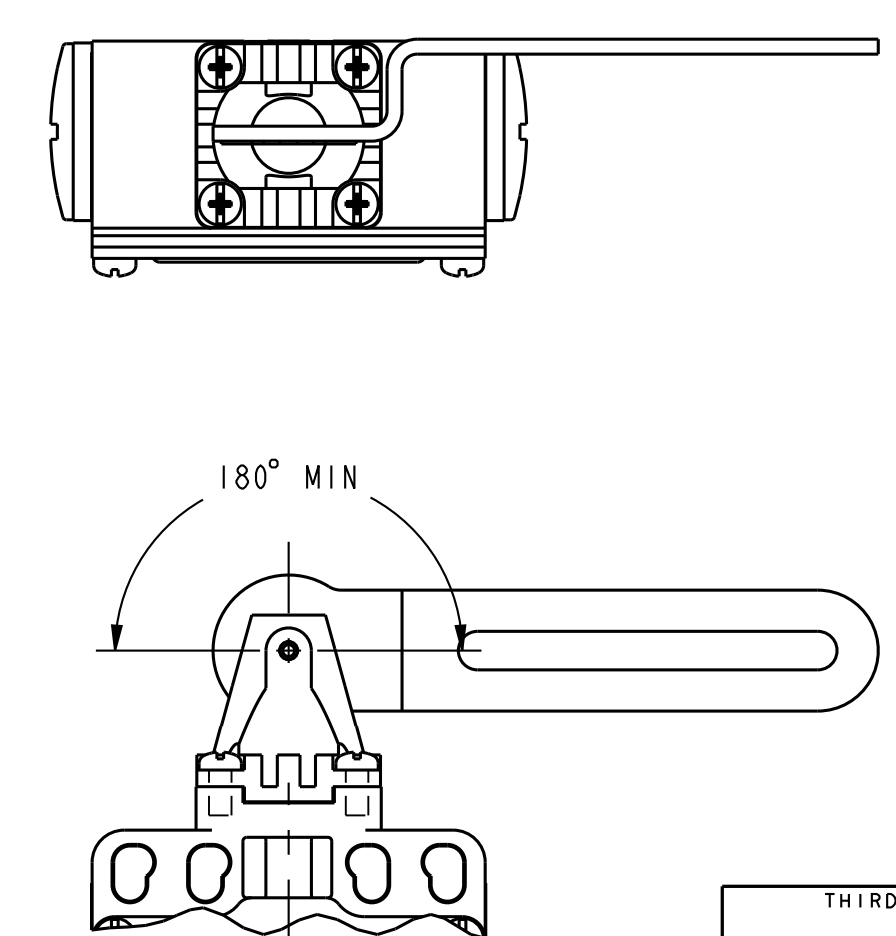
ACTUATOR CODE 1



ACTUATOR CODE 3



ACTUATOR CODE 1



ACTUATOR CODE 3

THIS DRAWING COVERS A PROPRIETARY ITEM AND IS THE PROPERTY OF MICRO SWITCH, A DIVISION OF HONEYWELL. THIS DRAWING IS NOT TO BE COPIED OR USED WITHOUT THE APPROVAL OF MICRO SWITCH.		CATALOG LISTING	
MICRO SWITCH a Honeywell Division		LIMIT SWITCH	
G.S. SERIES CHART 2		WEIGHT TBD	
DESIGN UNITS: SI METRIC <input checked="" type="checkbox"/> US CUSTOMARY <input type="checkbox"/>		TOLERANCES: DO NOT SCALE PRINT	
NO PLACES TO 0.00125 ONE PLACE TO 0.0015 TWO PLACES TO 0.0025 THREE PLACES TO 0.005		APPLY TO DESIGN UNITS. CONVERSIONS ARE ONLY FOR REFERENCE. UNLESS NOTED, TOLERANCES ARE:	
INCH	TOL.	MILLIMETER	TOL.
X	0.00125	X	0.00125
X	0.0015	X	0.0015
X	0.0025	X	0.0025
X	0.005	X	0.005