

SUBMINIATURE WATERTIGHT SEALED

P6-3
LIMIT
SWITCHES

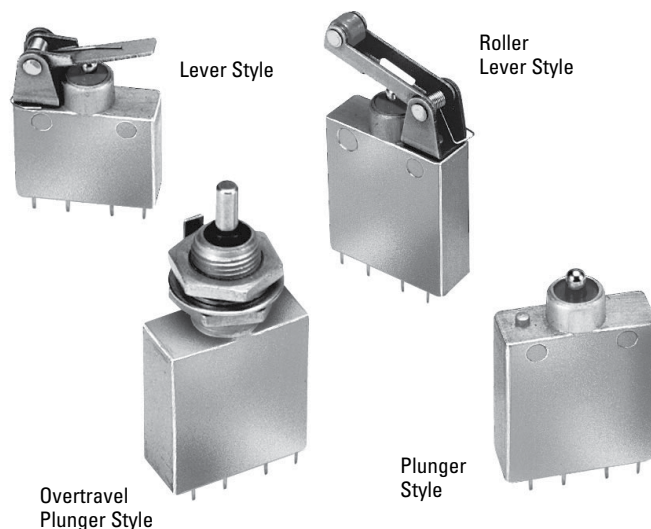
FEATURING OTTO B5 SERIES BASIC SWITCHES

These subminiature sealed switches are contained in a rugged aluminum housing with choice of lever, roller or plunger. Featuring the B5 series basic switch, the P6-3 series is able to switch up to 10 amps. The high contact pressure and superior wiping action of the OTTO design also makes the P6-3 series an excellent choice when switching logic level loads.

Sealing against water and other liquids is per MIL-PRF-8805. Wire leaded models feature potted leads. The solder terminals are epoxy sealed.

Features:

- Compact design
- Watertight to MIL-PRF-8805
- Choice of four actuator styles
- Choice of wire lead or solder termination styles
- Up to 10 amps switching capability
- High contact pressure for low levels
- Precision operating points
- Reach compliant



Standard Characteristics/Ratings:								
ELECTRICAL RATINGS:	Sea Level @ 28VDC				50,000 feet @ 28VDC			
	Single Circuit N.O. or N.C.	2 Circuit Per Pole	Single Circuit N.O. or N.C.	2 Circuit Per Pole	Single Circuit N.O. or N.C.	2 Circuit Per Pole	Single Circuit N.O. or N.C.	2 Circuit Per Pole
Resistive	10A	10A	10A	10A	10A	10A	10A	10A
Inductive	7.5A	5A	3.5A	2A	3.5A	2A	3.5A	2A
Motor	4A	2A	N/A	N/A	N/A	N/A	N/A	N/A
DWV	1000Vrms				500Vrms			
Electrical Life:	50,000 cycles							
Mechanical Life:	50,000 cycles							
OPERATIONAL:	P6-31	P6-32	P6-33	P6-34	P6-35	P6-36	P6-37	P6-38
Operating Force:	16 oz max	40 oz max	20 oz max	40 oz max	32 oz max	60 oz max	20 oz max	48 oz max
Release Force:	4 oz min	8 oz min	4 oz min	8 oz min	4 oz min	24 oz min	4 oz min	8 oz min
Movement Differential:	0.060" max	0.020" max	0.060" max	0.020" max	0.080" max	0.035" max	0.080" max	0.040" max
Pretravel:	0.125" max	0.050" max	0.125" max	0.070" max	0.125" max	0.050" max	0.125" max	0.070" max
Overtravel:	0.025" min	0.012" min	0.025" min	0.187" min	0.025" min	0.012" min	0.025" min	0.187" min
Strength of Actuator:	10.0 lbs.	25.0 lbs.	10.0 lbs.	25.0 lbs.	10.0 lbs.	25.0 lbs.	10.0 lbs.	25.0 lbs.
Temperature Range:	-55°C to +85°C							
Seal:	Enclosure Design 3, watertight per MIL-PRF-8805							
MATERIALS:								
Plunger:	Corrosion resistant steel							
Lever:	Corrosion resistant steel (where applicable)							
Mounting Hardware:	None provided							

FEATURING OTTO B5 SERIES BASIC SWITCHES

P6-3 PART NUMBER CODE

Single Pole

P6-3

X

X

X

X

X

Actuator Style

1. Lever
2. Plunger
3. Roller Lever
4. Overtravel Plunger

Terminal Style

1. Solder Terminals
3. 1' Potted Leads
4. 3' Potted Leads
5. 6' Potted Leads

Circuitry

1. SPNO-DB, Form X
2. SPNC-DB, Form Y
3. SPDT-SB, Form C
4. SPDT-DB, Form Z

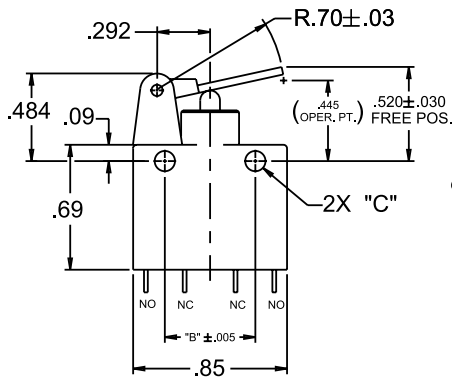
Mounting Holes (See drawing below.)

1. No Holes
2. 1/2" Centers for #4-40 Screws
4. 3/8" Centers for #2-56 Screws

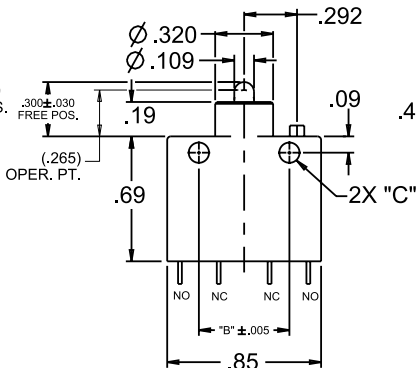
Serial Digit

0. 0 Except for
Specials

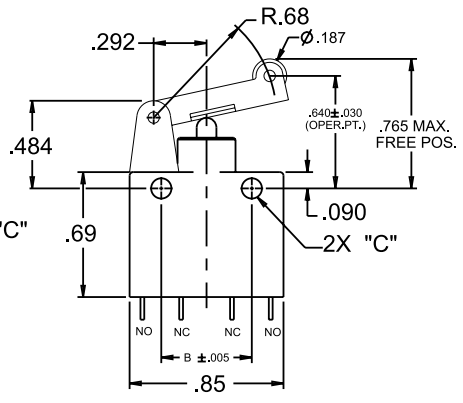
STYLE P6-31



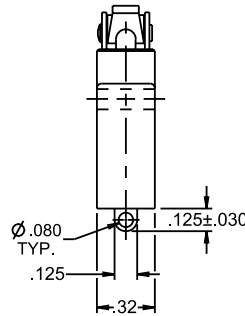
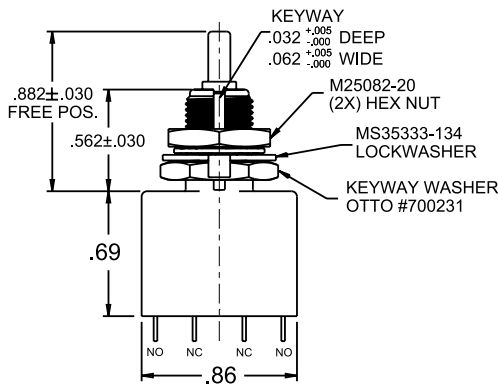
STYLE P6-32



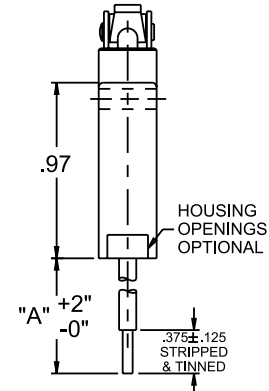
STYLE P6-33



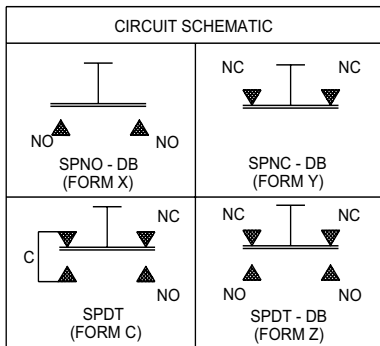
STYLE P6-34



**SOLDER TERMINAL
(TERM. STYLE 1
EXAMPLE)**



**POTTED WIRE LEADS
(TERM. STYLES 3, 4 & 5
EXAMPLE)**



POTTED WIRE LEADS		DIM "B" CNTRS.	DIM "C" DIA.
STYLE	DIM "A"		
3	12"		
4	36"		
5	72"		
		MOUNTING HOLES:	
		CODE 2 FOR 4-40 SCREWS	.500 Ø.112 ± .003
		CODE 4 FOR 2-56 SCREWS	.375 Ø.089 ± .003

SUBMINIATURE WATERTIGHT SEALED

P6-3
LIMIT SWITCHES

FEATURING OTTO B5 SERIES BASIC SWITCHES

P6-3 PART NUMBER CODE

Double Pole

P6-3 X X X X X X

Actuator Style

- 5. Lever
- 6. Plunger
- 7. Roller Lever
- 8. Overtravel Plunger

Terminal Style

- 1. Solder Terminals
- 2. Taper Tab, Quick Disconnect
- 3. 1' Potted Leads
- 4. 3' Potted Leads
- 5. 6' Potted Leads

Circuitry

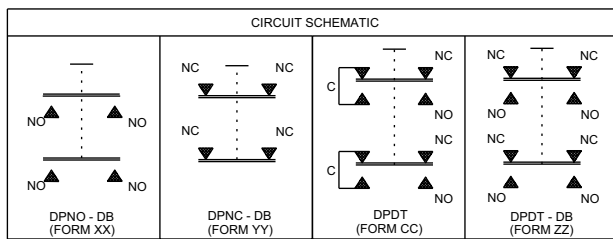
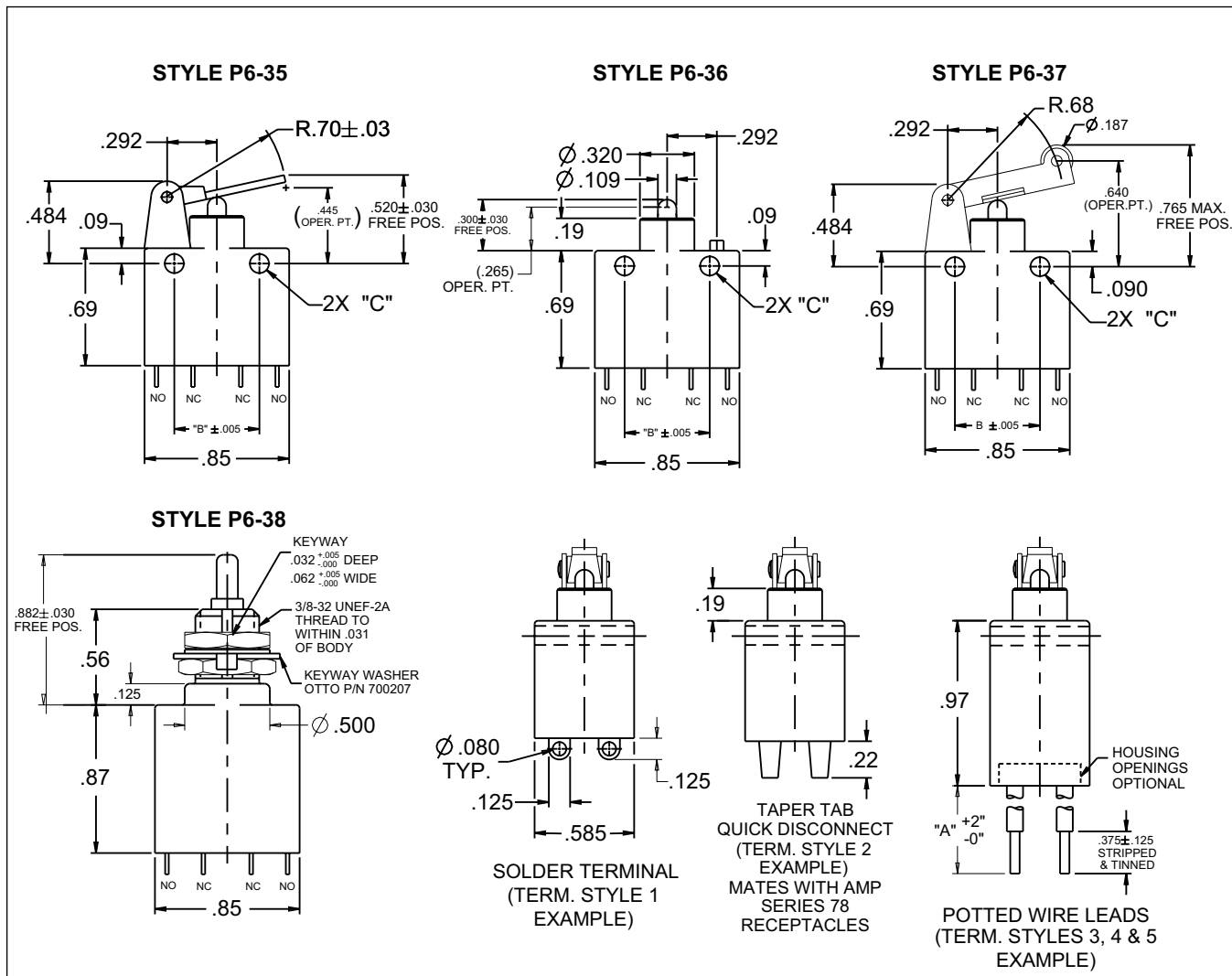
- 1. DPNO-DB, Form XX
- 2. DPNC-DB, Form YY
- 3. DPDT, Form CC
- 4. DPDT-DB, Form ZZ

Mounting Holes (See drawing below.)

- 1. No Holes
- 2. 1/2" Centers for #4-40 Screws
- 4. 3/8" Centers for #2-56 Screws

Serial Digit

- 0. 0 Except for Specials



POTTED WIRE LEADS		MOUNTING HOLES:	
STYLE	DIM "A"	CODE 2 FOR 4-40 SCREWS	CODE 4 FOR 2-56 SCREWS
3	12"	.500	Ø.112 ± .003
4	36"	.375	Ø.089 ± .003
5	72"		

LIMIT SWITCHES