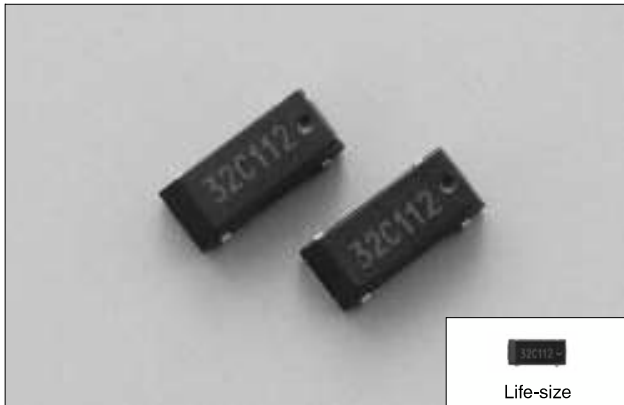


TUNING FORK CRYSTAL UNITS (SMD • Plastic Package)

RoHS compliant

CM200C • CM250C

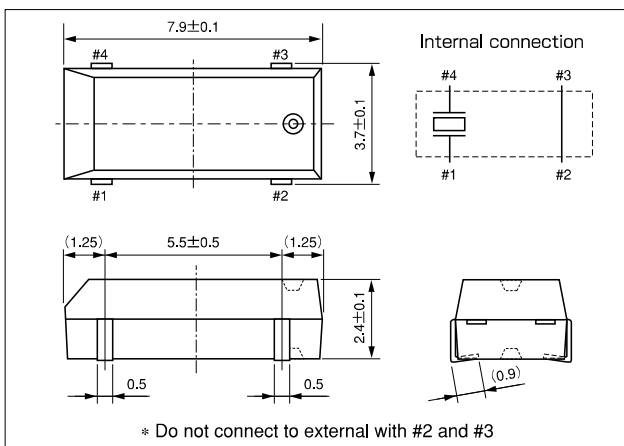
3000pcs/reel



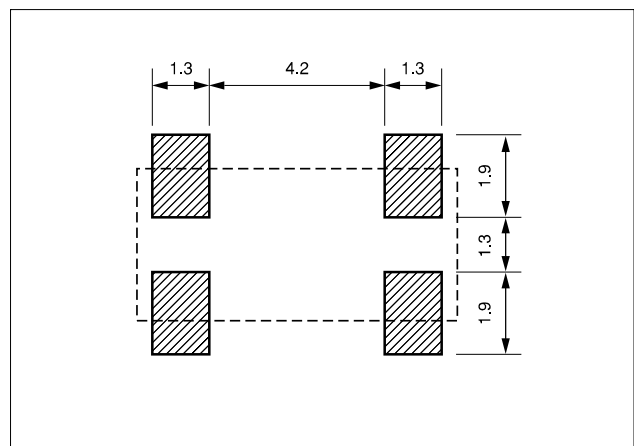
FEATURES

- Molding a heat resistant cylinder with resin.
- Most appropriate for clock source for portable equipment with low power consumption.

DIMENSION [mm]



SOLDER PAD LAYOUT [mm]



STANDARD SPECIFICATIONS

Item	Model	CM200C	CM250C	Conditions
Nominal Frequency	f_0	32.768kHz	30kHz~100kHz	Need to contact us for the available frequency in CM250C
Frequency Tolerance	$\Delta f/f_0$	$\pm 20\text{ppm}$	$\pm 30\text{ppm}$	at 25°C
Load capacitance	C_L	12.5pF		Need to specify your requirement
Operating Temperature Range	T_{OPR}	-40°C ~ +85°C		
Storage Temperature Range	T_{STR}	-55°C ~ +125°C		
Turnover Temperature	T_M	25°C \pm 5°C		
Temperature Coefficient	β	$-0.034 \pm 0.006\text{ppm}/^\circ\text{C}^2$		
Motional (series) resistance	R_1	50KΩ Max.		at 25°C
Level of drive	D_L	1 μW Max.		
Aging (first year)	$\Delta f/f_0$	$\pm 3\text{ppm Max.}$	$\pm 5\text{ppm Max.}$	25°C \pm 3°C
Shunt capacitance	C_0	1.35pF Typ.	0.8pF ~ 1.7pF Typ.	Depend on frequency