

# MICRO SWITCH

A DIVISION OF MILWAUKEE-HONEYWELL REGULATOR COMPANY  
 FREEPORT, ILLINOIS

FED. MFR. CODE 91929

# PACKET

CATALOG LISTING

IPAI



IPAI

M

DRAWING NUMBER

X 2

ISSUE

REPLACES

RELEASE NO. CO. 8520

CHECK

CHECK

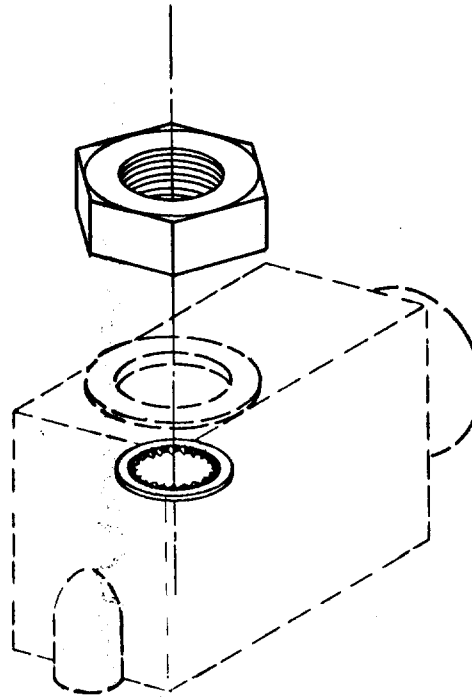
CHECK

CHECK

CHECK

CHECK

CHECK



**NOTE -**

1-PARTS FURNISHED UNASSEMBLED IN BULK AS A PACKET.

THIS DRAWING COVERS A PROPRIETARY ITEM AND IS THE PROPERTY OF MICRO SWITCH, A DIVISION OF HONEYWELL. THIS DRAWING IS NOT TO BE COPIED OR USED WITHOUT THE APPROVAL OF MICRO SWITCH.

**CHARACTERISTICS**

**ELECTRICAL DATA**

**SCALE**

CONTACT ARRANGEMENT

BREAK DISTANCE

DO NOT SCALE PRINT

UNLESS OTHERWISE SPECIFIED  
 DIMENSIONS ARE IN INCHES

**TOLERANCES ARE:**

ONE PLACE	(.0)	±.030
TWO PLACE	(.00)	±.015
THREE PLACE	(.000)	±.005
ANGLES		±

WEIGHT

DRAWN

K. A. F.

2 NOV. 56

G. C. H. 6 NOV. 56

A CO47659  
 DJW  
 10 DEC 80

5 NOV. 56

C. N. T.

O-80378

# Mouser Electronics

Authorized Distributor

Click to View Pricing, Inventory, Delivery & Lifecycle Information:

[Honeywell:](#)

[1PA1](#)