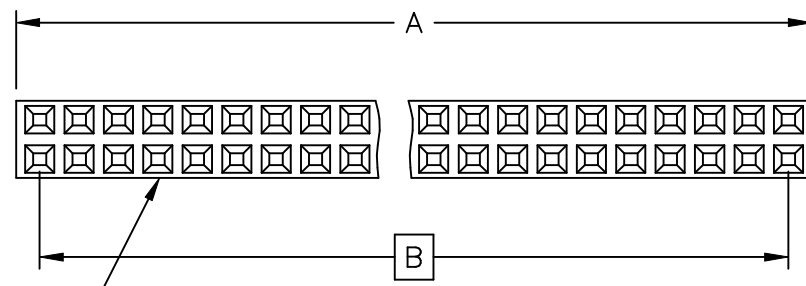
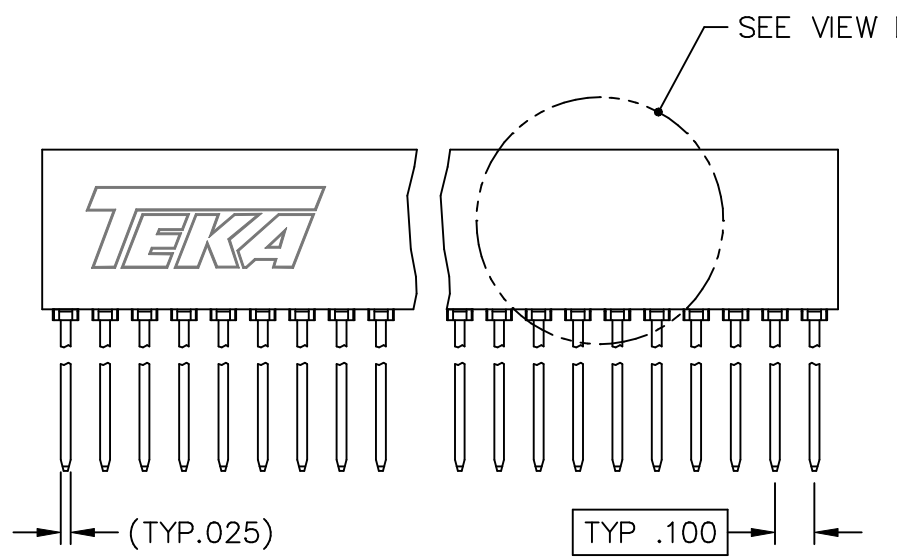


Rev	Description	Date	By
B	ALL REVISIONS - SEE SHEET 2	04/30/09	JSC

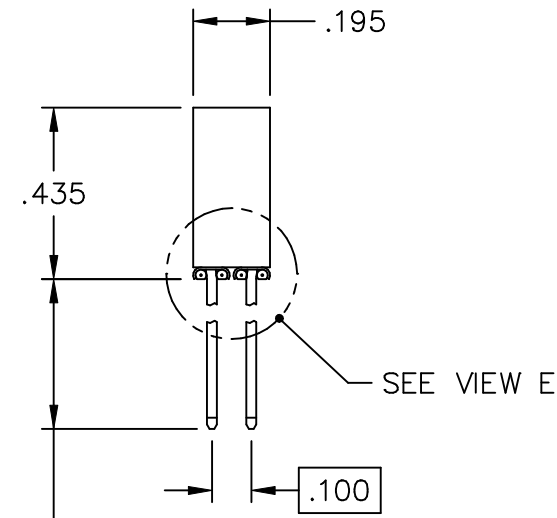


SEE VIEW F FOR POLARIZATION/KEYING OPTIONS

TABLE I - DIMENSIONS				
PART NUMBER	DESIGNATION	POSITIONS (2X)	A±.010	B
PC232--1--	J1 - J1/P1	32	3.220	3.100
PC220--1--	J2 - J2/P2	20	2.020	1.900

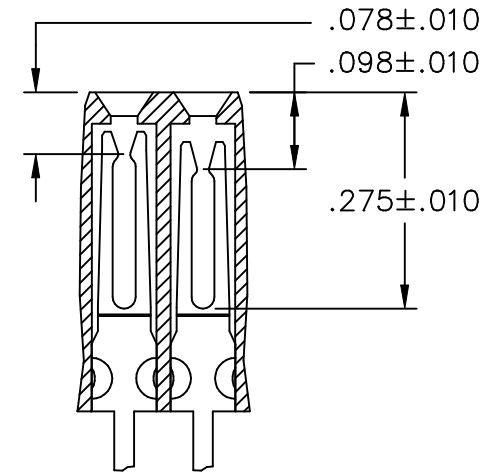


SEE VIEW D



SEE VIEW E

SOLDER TAIL/FEED-THROUGH LENGTH ±.010



VIEW D - SCALE=4:1

LOW INSERTION FORCES ARE ACHIEVED THROUGH A STEPPED INSERTION

MATERIALS:

HOUSING: HIGH TEMPERATURE THERMOPLASTIC, UL RATED 94-V0
 CONTACT: PHOSPHOR BRONZE ALLOY
 SOLDER: SAC 305
 SOLDER CLIP: ALUMINUM ALLOY

CONTACT FINISH:

FEMALE INTERFACE: (SEE TABLE II)

SOLDER TAIL/FEED THROUGH: (SEE TABLE II)

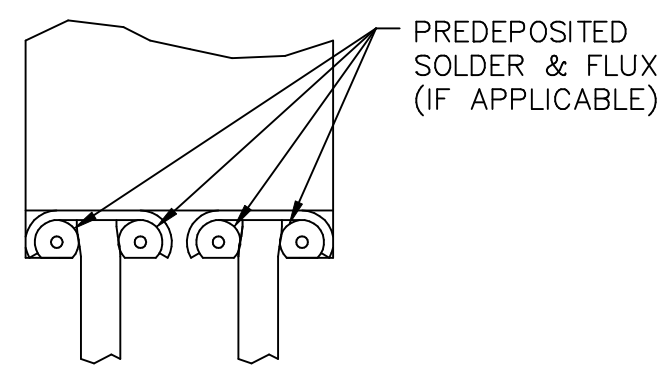
UNDERPLATE: 50 MICROINCHES MIN NICKEL

PERFORMANCE CHARACTERISTICS - MECHANICAL

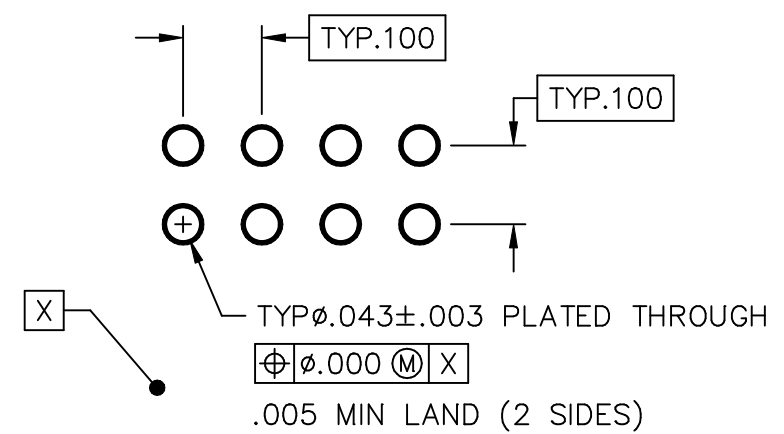
INSERTION FORCE: 2.5 OZ PER CONTACT MAX AVG
 WITHDRAWAL FORCE: 1 OZ MIN AVG
 NORMAL FORCE: 50 GRAMS MIN (PER BEAM) EOL
 DURABILITY: 25 CYCLES MINIMUM
 OPERATING TEMP: -55°C - 85°C

PERFORMANCE CHARACTERISTICS - ELECTRICAL


CONTACT RESISTANCE: 20 MILLIOHMS MAX INITIAL W/
 30 MILLIOHMS MAX AFTER TEST
 CURRENT CAPACITY: 3 AMPS MAX PER CONTACT
 DIELECTRIC STRENGTH: 1000 VAC
 INSULATION RESISTANCE: 10,000 MEGAOHMS MIN



VIEW E - SCALE=8:1



RECOMMENDED HOST CARD HOLE CONFIGURATION

Unless otherwise specified: All dimensions are: Inches [mm]	Drawn by: J CACHINA	Date: 09/15/05	 AN INTERPLEX INDUSTRIES CO. 100 PIONEER AVE WARWICK, R.I. 02888 TEL: (401) 785-4110 FAX: (401) 781-5730 E-MAIL: sales@tekais.com
	Checked by: JSC Date: 09/15/05		
No of places IN [mm]	Title: SOLDER BEARING PC/104 CONNECTOR (ROHS COMPLIANT)		Part No: PC2--1--
one ±.1 ±2,54	Ref No: S20560		Scale: 2:1
two ±.02 ±0,5	Sheet 1 of 2		
three ±.005 ±0,13			
Angular ±1°			

Rev	Description	Date	By
B	EDITORIAL CHANGE	04/30/09	JSC

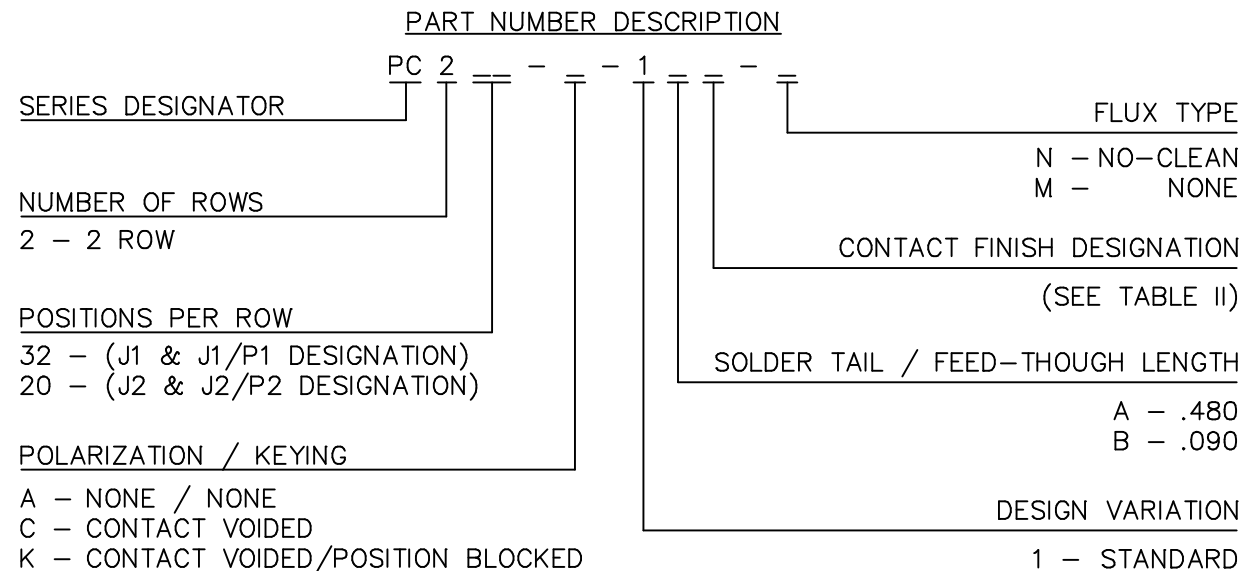

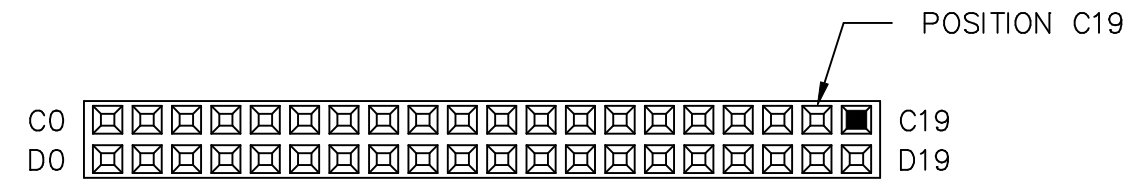
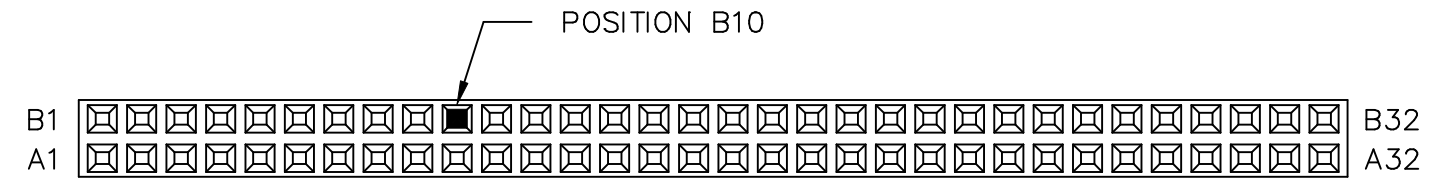


TABLE II - CONTACT FINISH DESIGNATION 

DESIGNATION	FEMALE INTERFACE	SOLDER TAIL / FEED-THROUGH
9	GOLD - 30 MICROINCHES	GOLD - 30 MICROINCHES
7	GOLD - 20 MICROINCHES	GOLD - FLASH
H	GOLD - 30 MICROINCHES	PURE TIN - 100 MICROINCHES
D	GOLD - 20 MICROINCHES	PURE TIN - 100 MICROINCHES

PC232-C-1__-__ (POSITION VOIDED - NO CONTACT)
 PC232-K-1__-__ (POSITION VOIDED - NO CONTACT - MOLDED IN KEY)




PC220-C-1__-__ (POSITION VOIDED - NO CONTACT)
 PC220-K-1__-__ (POSITION VOIDED - NO CONTACT - MOLDED IN KEY)

VIEW F - POLARIZATION/KEYING

NOTES: UNLESS OTHERWISE SPECIFIED

- 1 INTERPRET THIS DRAWING IN ACCORDANCE WITH ASME Y14.5M-1994
- 2 THIS PRODUCT CONFORMS TO ALL APPLICABLE PC\104 CONNECTOR SPECIFICATIONS.
- 3 FOR OTHER SIZES, FINISHES OR ADDITIONAL DATA CONTACT TEKA'S CUSTOMER SERVICE DEPARTMENT.

 ALL TIN FINISHES ARE LOW STRESS / WHISKER MITIGATING

Drawn by: J CACHINA	Date: 09/15/05	 AN INTERPLEX INDUSTRIES CO. 100 PIONEER AVE WARWICK, R.I. 02888 TEL: (401) 785-4110 FAX: (401) 781-5730 E-MAIL: sales@tekais.com
Checked by: JSC	Date: 09/15/05	
Title: SOLDER BEARING PC/104 CONNECTOR (ROHS COMPLIANT)		Part No: PC2__-__-1__-__
Ref No: S20560		Scale: 2:1 Sheet 2 of 2