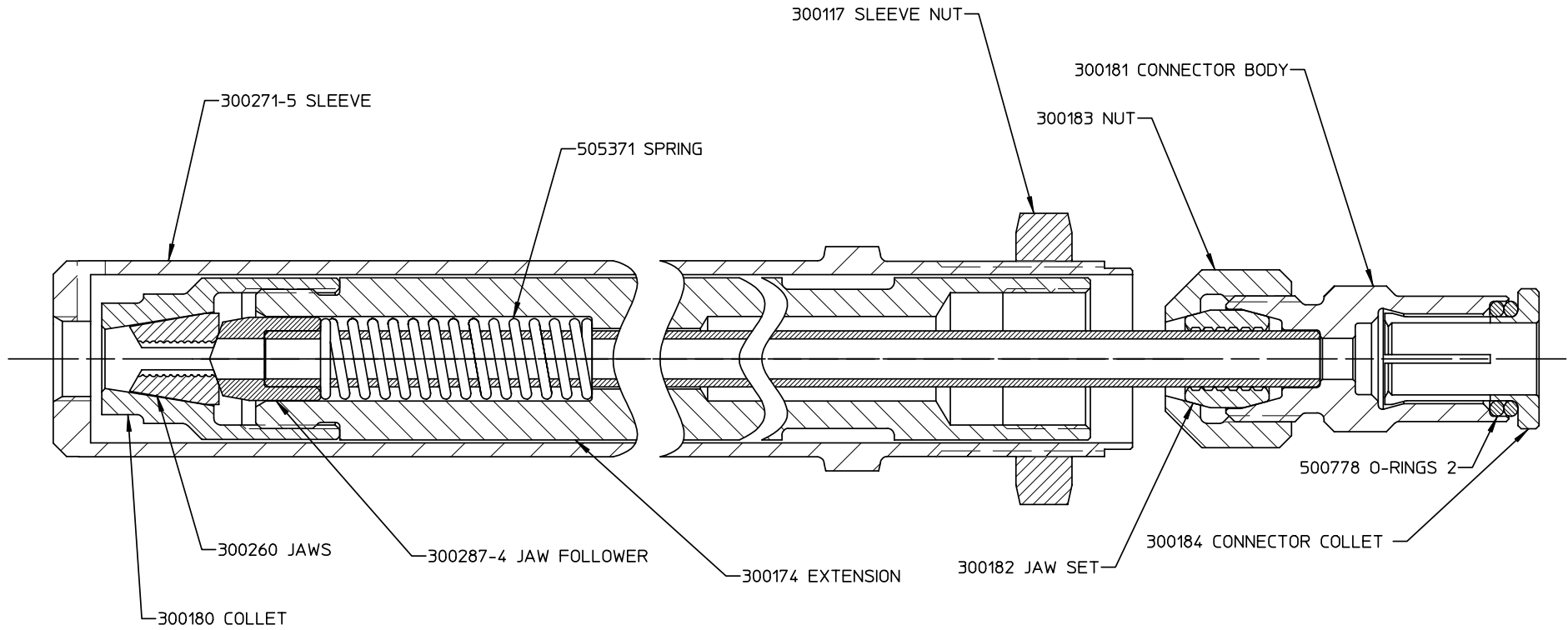


# DATA SHEET



**Alcoa Fastening Systems**

Commercial Products  
1 Corporate Drive, Kingston, NY 12401

TYPE:	PULLING HEAD ASSEMBLY	
FASTENER:	PLASTIC BR	
TOOL(S):	ERT7S	
Notes:	Product Revision:	<b>A</b>
US Patent:	Date:	07/30/03

**PH44**

Part Number