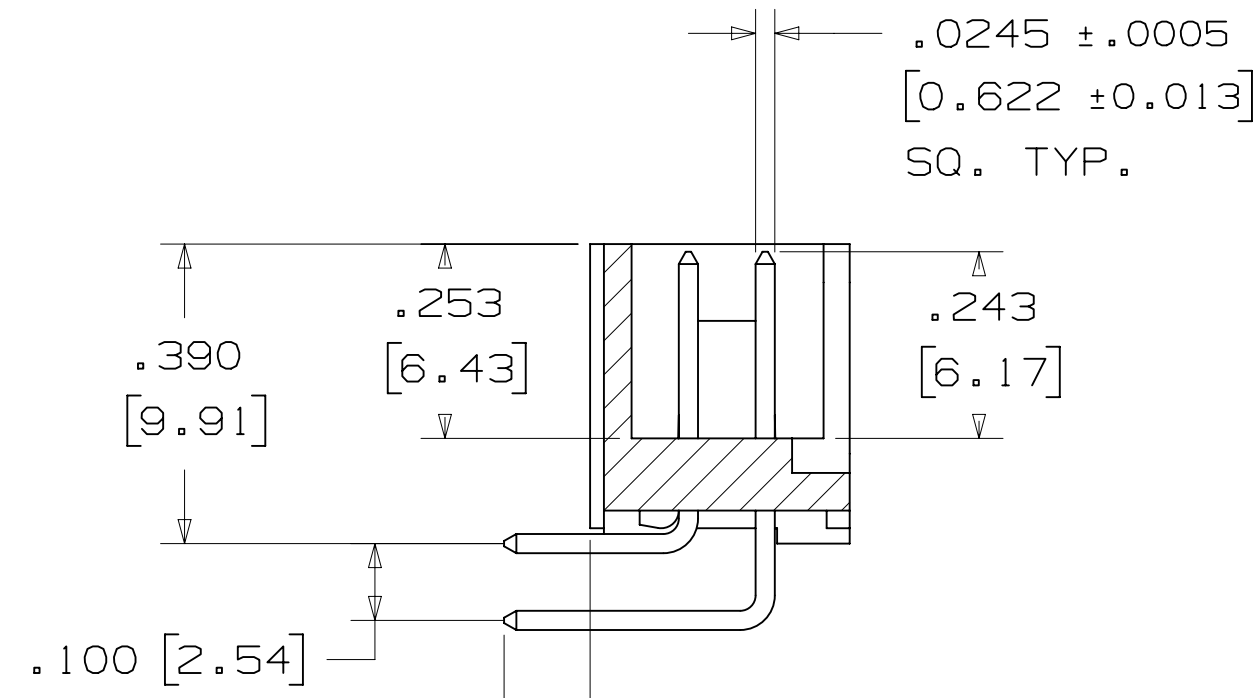


3M™ FOUR-WALL HEADER, 2500 SERIES

.100" X .100" LOW PROFILE, SURFACE MOUNT, STRAIGHT AND RIGHT ANGLE THROUGH-HOLE



SOLDER TAIL
 .112 ± .011 [2.84] FOR 02 VERSION
 .155 ± .011 [3.94] FOR 03 VERSION

SECTION B-B

TABLE 1				
PIN QTY.	DIM. "A"	DIM. "B"	POLARIZING NOTCHES	PIN QTY.
06	.588 [14.94]	.508 [12.90]	B	06
08	.688 [17.48]	.608 [15.44]	B	08
10	.788 [20.02]	.708 [17.98]	BC	10
14	.988 [25.10]	.908 [23.06]	BCDE	14
16	1.088 [27.64]	1.008 [25.60]	ABCDE	16
20	1.288 [32.72]	1.208 [30.68]	ABCDE	20
24	1.488 [37.80]	1.408 [35.76]	ABCDE	24
26	1.588 [40.34]	1.508 [38.30]	ABCDE	26
30	1.788 [45.42]	1.708 [43.38]	ABCDE	30
34	1.988 [50.50]	1.908 [48.46]	ABCDE	34
36	2.088 [53.04]	2.008 [51.00]	ABCDE	36
40	2.288 [58.12]	2.208 [56.08]	ABCDE	40
50	2.788 [70.82]	2.708 [68.78]	ABCDE	50
60	3.288 [83.52]	3.208 [81.48]	ABCDE	60
64	3.488 [88.60]	3.408 [86.56]	ABCDE	64

ORDERING INFORMATION RIGHT ANGLE VERSION

X25XX-50XX-XX

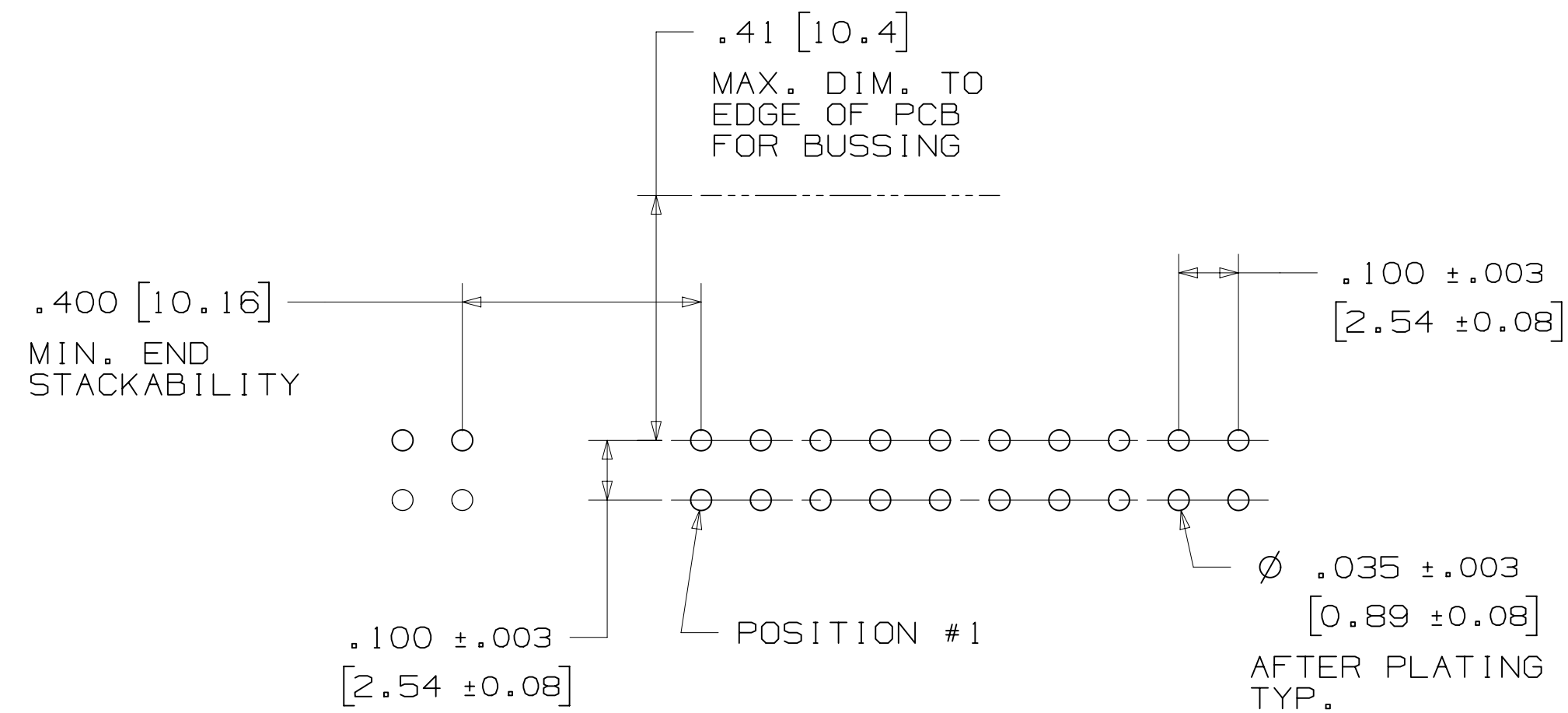
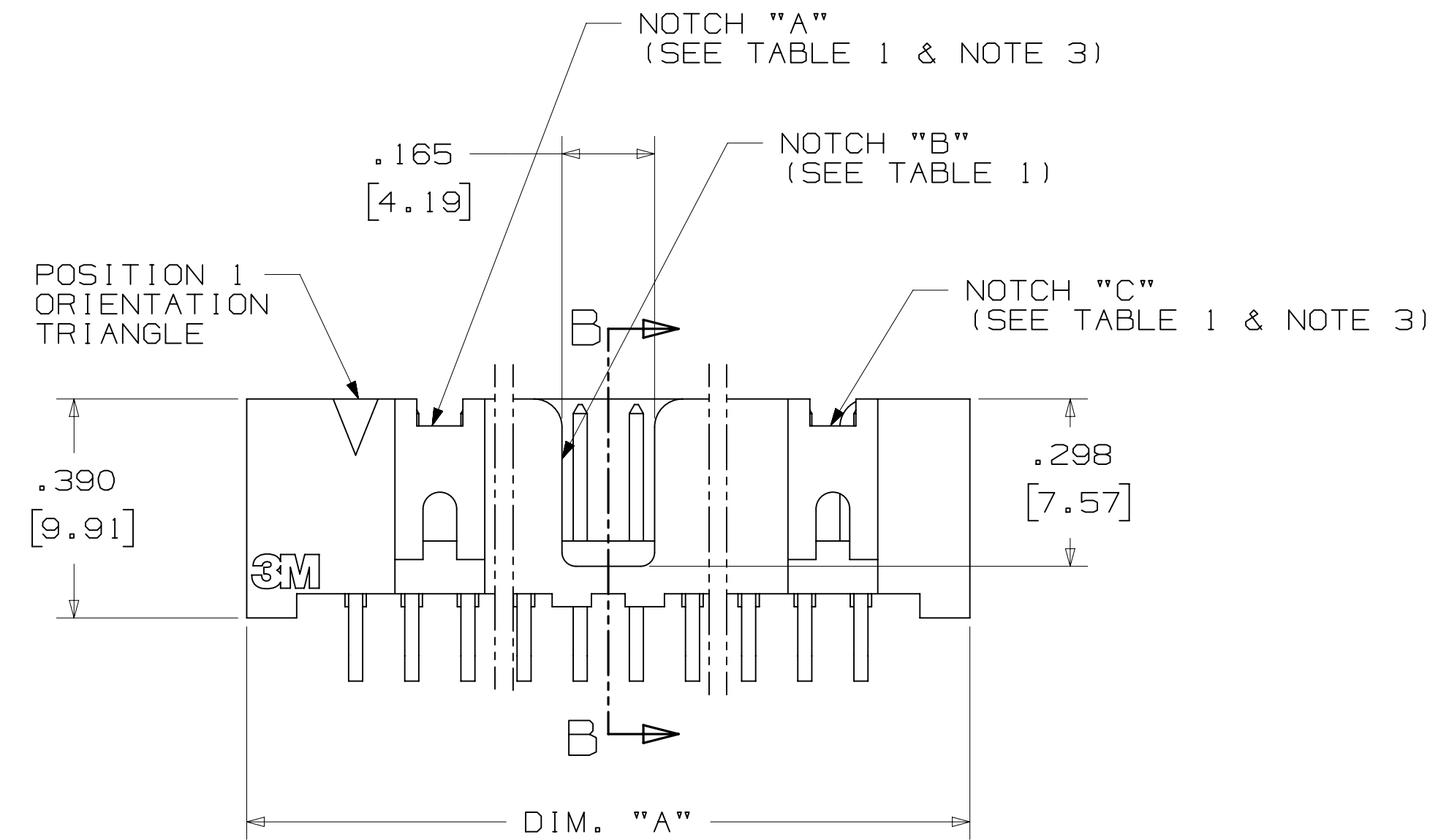
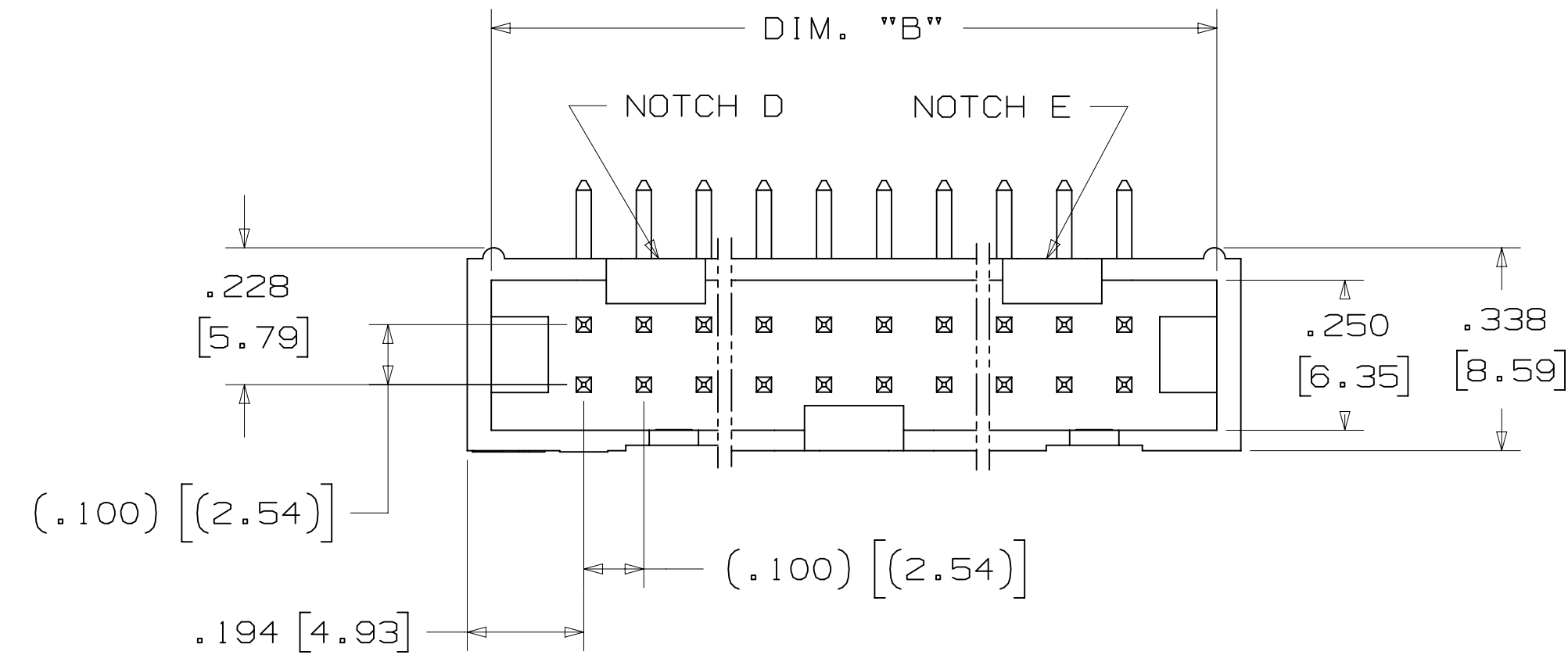
N= HIGH TEMP BLACK (PCT)
 (RB, UB OR UG PLATING REQ'D)
 BLANK= (UB OR UG PLATING)

PIN QUANTITY:
 (SEE TABLE 1)

SOLDER TAIL:
 02 = FOR .062 [1.57] THICK BOARD
 03 = FOR .094 TO .125 [2.39 TO 3.18]
 THICK BOARD

PLATING:

RB = 30μ" [0.76μm] AVG. GOLD
 200μ" [5.08μm] MATTE TIN (RIA, E1 & C1 APPLY)
 UG = 15μ" [0.38μm] AVG. GOLD
 200μ" [5.08μm] 60:40 TIN-LEAD SOLDER TAILS
 (RIA E3 & C2 APPLY)
 UB = 30μ" [0.76μm] AVG. GOLD
 200μ" [5.08μm] 60:40 TIN LEAD SOLDER TAILS
 (RIA E3 & C2 APPLY)



RECOMMENDED HOLE PATTERN SHOWN FROM COMPONENT SIDE

DESIGN REFERENCE	NEXT ASSEMBLY	M 56068	AUG 11, 2014	JNC	RS
REV	ECO	ISSUE DATE AND DESCRIPTION	DRFT	CHKD	
CASTIGLIONE	AUG 11, 2014	MFG			
DATE	DATE	DATE	DATE	DATE	DATE
CHKD	DATE	APPV	DATE	DATE	DATE
		R. SCHERER	SEP 05, 2014		
DIVISION	DIVISION CODE	© 3M COPYRIGHT 2015			
Interconnect Solutions	EMSD	This document and the information it contains are 3M property and may not be reproduced or further distributed without 3M permission, or used or disclosed other than for 3M authorized purposes. All rights reserved.			
DO NOT SCALE DRAWING	SCALE 4/1	TOLERANCES EXCEPT AS NOTED	3M Center St. Paul, MN 55144		
		TINCHES	TITLE		
		.00 ± .01	HEADER, 4-WALL,		
		.000 ± .005	LO-PRO, .100 X .100,		
		.0000 ±	SMT, STRAIGHT & RA		
THIRD ANGLE PROJECTION		MILLIMETERS	CAGE NUMBER		
		0 ±	D78-5100-0770-7		
		.0 ± .3	DRAWING NO.		
		.00 ± .13	REV.		
MAX SURFACE ROUGHNESS		.000 ±	M		
DT SURFACES			MODEL		
MARKED ONLY		ANGLES	3000 SERIES		
			DET		
			YES X NO		
			SHT 3 OF 5		

78-5100-0770-7

M 56068 AUG 11, 2014 JNC RS

M

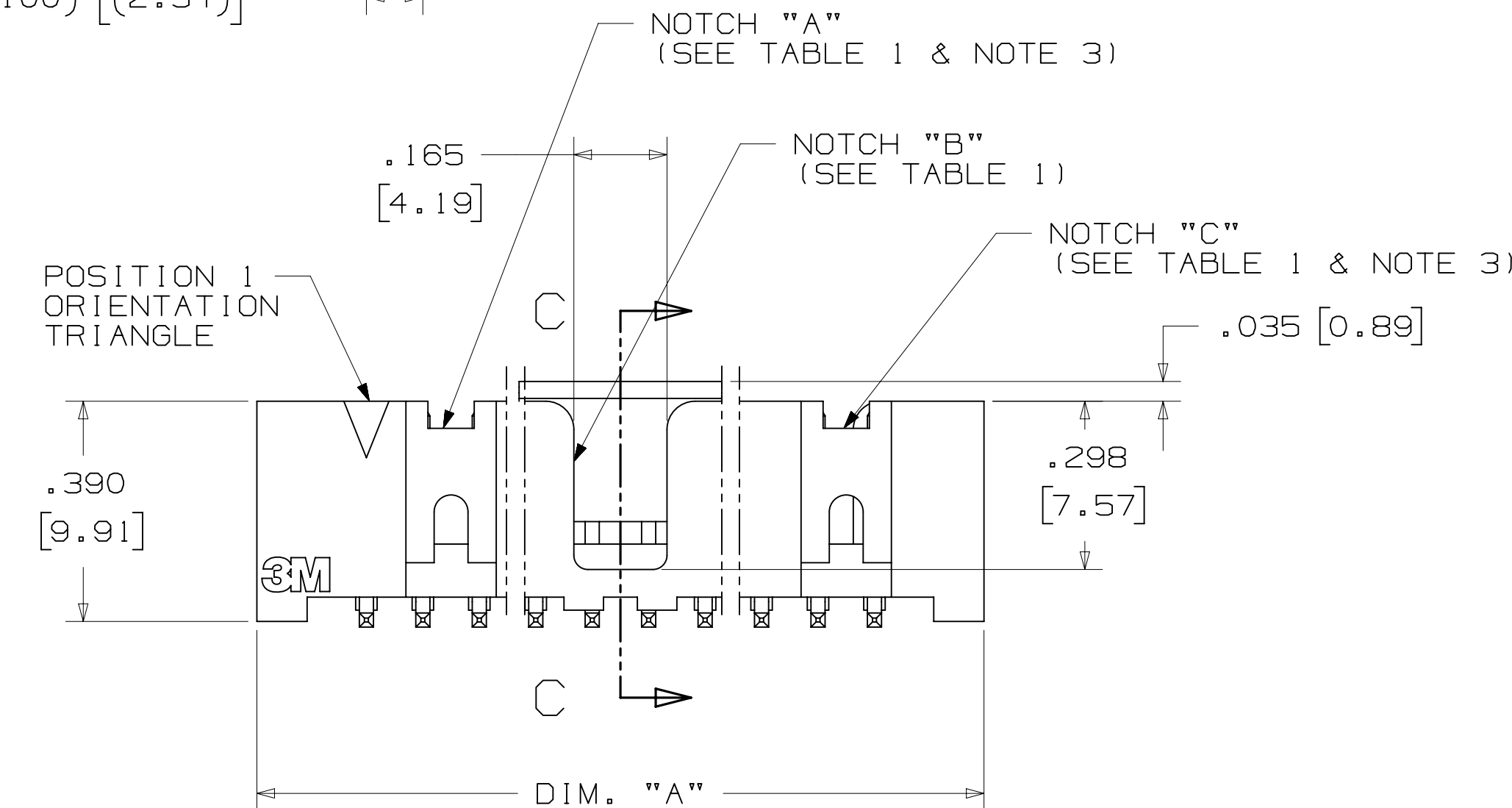
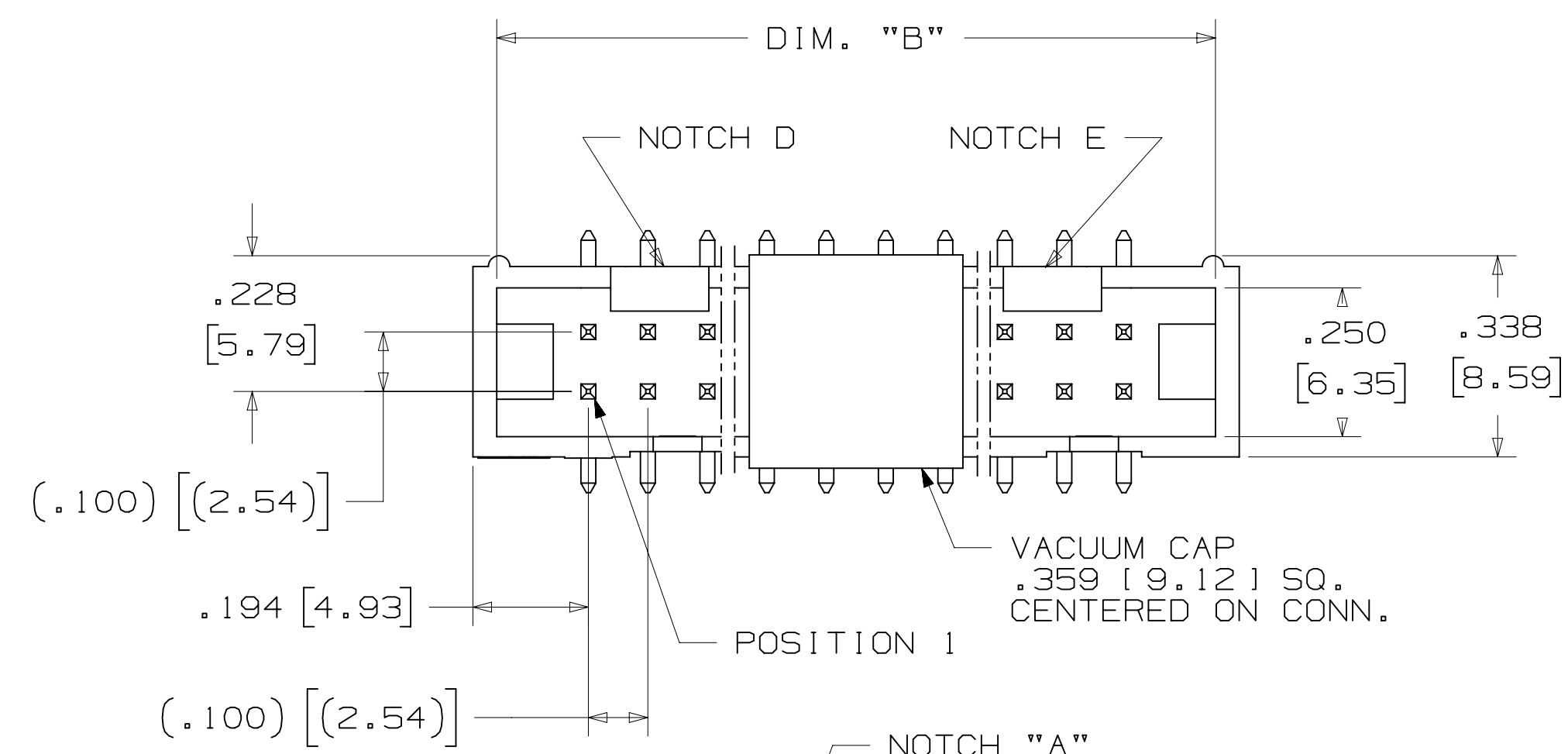
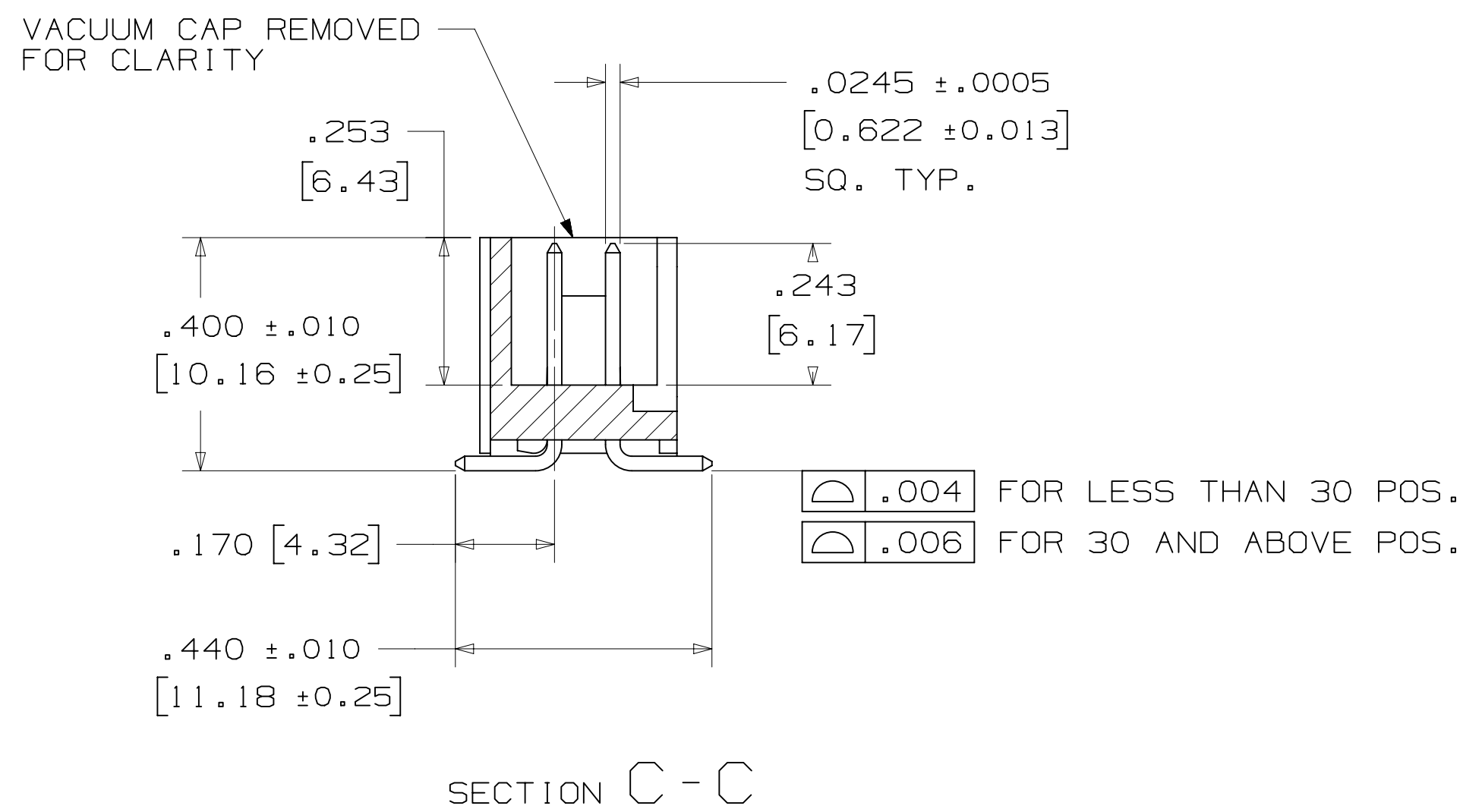
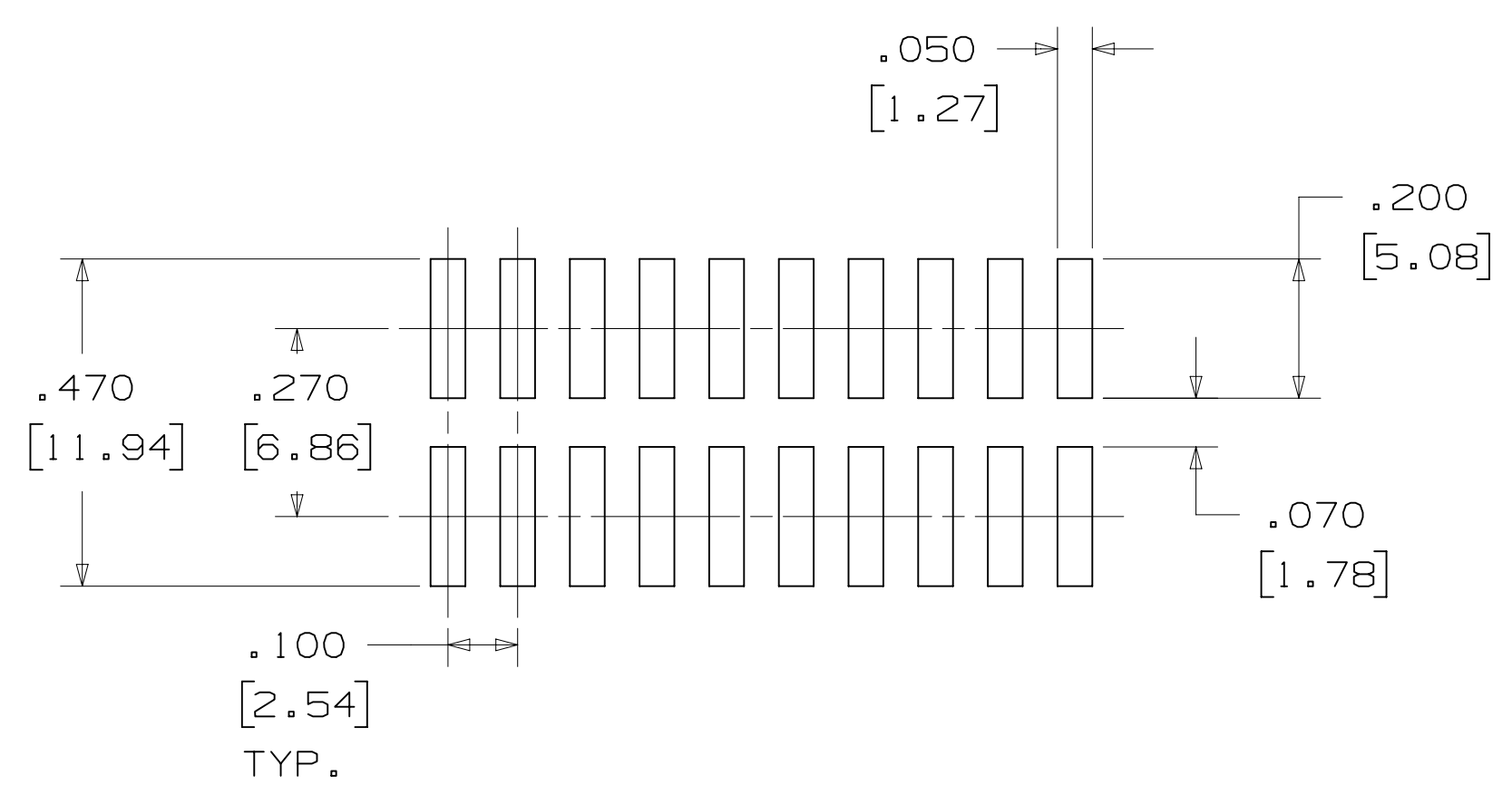


TABLE 1					
PIN QTY.	DIM. "A"	DIM. "B"	POLARIZING NOTCHES	TAPE AND REEL PKG CODE	PIN QTY.
06	.588 [14.94]	.508 [12.90]	B	WD (44 MM)	06
08	.688 [17.48]	.608 [15.44]	B	WD (44 MM)	08
10	.788 [20.02]	.708 [17.98]	BC	WD (44 MM)	10
14	.988 [25.10]	.908 [23.06]	BCDE	WD (44 MM)	14
16	1.088 [27.64]	1.008 [25.60]	ABCDE	WD (44 MM)	16
20	1.288 [32.72]	1.208 [30.68]	ABCDE	WE (56 MM)	20
24	1.488 [37.80]	1.408 [35.76]	ABCDE	WE (56 MM)	24
26	1.588 [40.34]	1.508 [38.30]	ABCDE	WE (56 MM)	26
30	1.788 [45.42]	1.708 [43.38]	ABCDE	WF (72 MM)	30
34	1.988 [50.50]	1.908 [48.46]	ABCDE	WF (72 MM)	34
36	2.088 [53.04]	2.008 [51.00]	ABCDE	WG (88 MM)	36
40	2.288 [58.12]	2.208 [56.08]	ABCDE	WG (88 MM)	40
50	2.788 [70.82]	2.708 [68.78]	ABCDE	WG (88 MM)	50
60	3.288 [83.52]	3.208 [81.48]	ABCDE	WH (120 MM)	60
64	3.488 [88.60]	3.408 [86.56]	ABCDE	WH (120 MM)	64



ORDERING INFORMATION
SURFACE MOUNT VERSION

N25XX-6VOC-XX-XX

N = HIGH TEMP BLACK (PCT)
(RB PLATING REQ'D)

PIN QUANTITY:
(SEE TABLE 1)

PACKAGING OPTIONS:
WX = TAPE & REEL PACKAGING (SEE TABLE 1)

PLATING:
RB = 30µ" [0.76µm] AVG. GOLD
200µ" [5.08µm] MATTE TIN (RIA, E1 & C1 APPLY)

RECOMMENDED PAD LAYOUT

DESIGN REFERENCE	NEXT ASSEMBLY	REV	ECO	ISSUE DATE AND DESCRIPTION	DRFT	CHKD
				AUG 11, 2014		
DIVISION		DIVISION CODE		DATE		
Interconnect Solutions		EMSD		AUG 11, 2014		
DO NOT SCALE DRAWING	SCALE 4/1	TOLERANCES EXCEPT AS NOTED		DATE		
THIRD ANGLE PROJECTION		INCHES		DATE		
INTERPRET PER ASME Y14.5 - 2009		MILLIMETERS		DATE		
MAX SURFACE ROUGHNESS		INCHES		DATE		
SURFACES		MILLIMETERS		DATE		
MARKED ONLY		ANGLES		DATE		
		CAGE NUMBER		DRAWING NO.		
		D78-5100-0770-7		M		
		MODEL		REV.		
		3000 SERIES		SHT 4 OF 5		

© 3M COPYRIGHT 2015
This document and the information it contains are 3M property and may not be reproduced or further distributed without 3M permission, or used or disclosed other than for 3M authorized purposes. All rights reserved.

3M Center St. Paul, MN 55144

TITLE: HEADER, 4-WALL, LO-PRO, .100 X .100, SMT, STRAIGHT & RA

M REVISION 78-5100-0770-7 DRAWING NUMBER 10/10/2015 8:32 AM UTC-06:00

