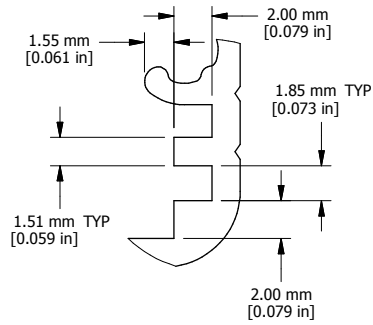
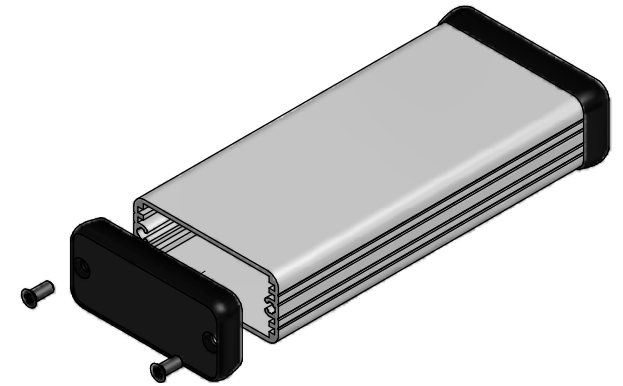


EXTRUSION

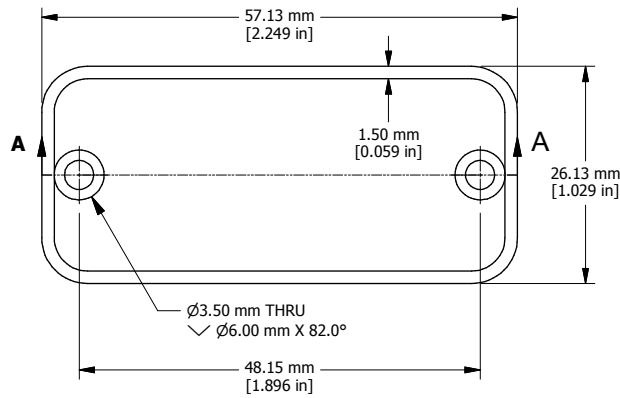
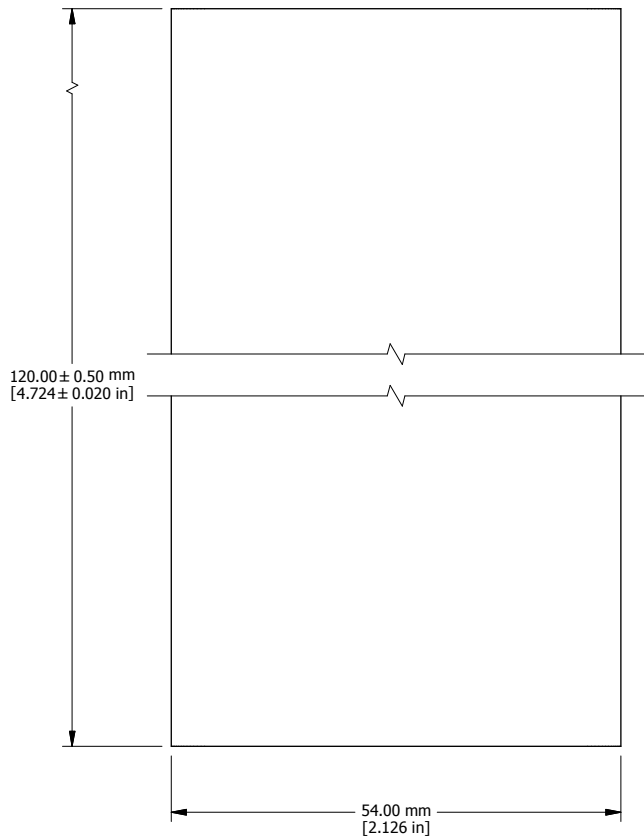


DETAIL A

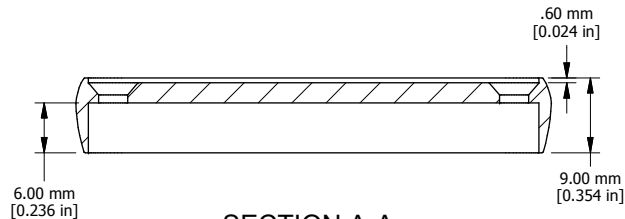


EXPLODED ASSEMBLY VIEW

\*\*EXTRUSION DESIGNED FOR 50MM WIDE PC BOARD\*\*



CLOSED BEZEL



SECTION A-A

Enclosures can be Factory Modified ( Milling, Drilling, Printing etc. )  
 Solid models of this enclosure available in STEP or IGES.  
 Contact Factory [mjm@hammondmfg.com](mailto:mjm@hammondmfg.com)

| NOTE   |  |
|--|--|
| Purchased assembly includes box, plastic bezels, #6 Taptight screws and self adhesive rubber feet. |  |
| Box made from Extruded Aluminum 6063.  |  |
| Bezels made with ABS   |  |

| 1455C1202                    |             |
|------------------------------|-------------|
| PART NUMBERS                 |             |
| Clear Anodized               | 1455C1202   |
| Black Anodized               | 1455C1202BK |
| ACCESSORIES                  |             |
| See website for accessories. |             |

# Mouser Electronics

Authorized Distributor

Click to View Pricing, Inventory, Delivery & Lifecycle Information:

[Hammond:](#)

[1455C1202BK](#) [1455C1202](#)