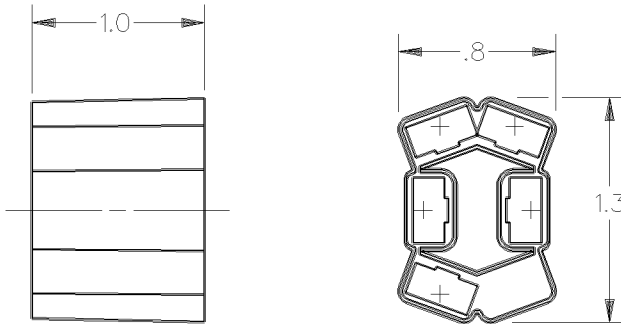
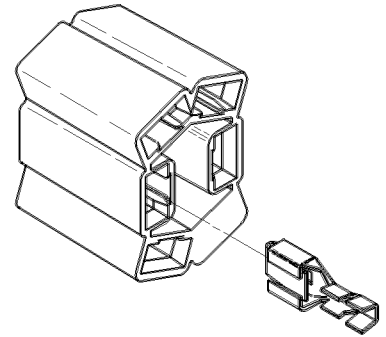


MICRO SWITCH
a Honeywell Division

FED. MFG. CODE 91929

PACKET

CATALOG LISTING
19PA169-NT

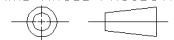


NOTE:
1 - PACKET INCLUDES 1 PIECE PACKARD ELECTRIC #0891 1352,
AND 5 PIECES PACKARD ELECTRIC #02962572

ANSI Y14.5M-1982 APPLIES

THIS DRAWING COVERS A PROPRIETARY ITEM AND IS THE PROPERTY OF MICRO SWITCH, A DIVISION OF HONEYWELL. THIS DRAWING IS NOT TO BE COPIED OR USED WITHOUT THE APPROVAL OF MICRO SWITCH.

THIRD ANGLE PROJECTION



CHARACTERISTICS	ELECTRICAL DATA CONTACT ARRANGEMENT	SCALE	FULL	DO NOT SCALE PRINT
		UNLESS OTHERWISE SPECIFIED TOLERANCES ARE		
		ONE PLACE	(.0)	±.030
		TWO PLACE	(.00)	±.015
		THREE PLACE	(.000)	±.005
		ANGLES		±
		WEIGHT		

DDM/CAD
 DRAWN
 T S M 21 JUL 95
 CHECK
 REVISIONS
 CHECK
 ISSUE
 1
 M
 CATALOG LISTING
 19PA169-NT
 PAGE 1 OF 1
 RELEASE NO. PR-21731
 REPLACES

Mouser Electronics

Authorized Distributor

Click to View Pricing, Inventory, Delivery & Lifecycle Information:

[Honeywell:](#)

[19PA169-NT](#)